

DAILUX

Éclairages Commerciaux et Industriels

DAILUX

For hotel and commercial lighting



Dailux SA

✉ info@dailux.ch

🌐 www.dailux.ch

📍 Route de Boudry 22,
2016 Cortaillod

COMPANY

INTRODUCTION



RESTAURANT

HOTEL/VILLA

WORKSPACE

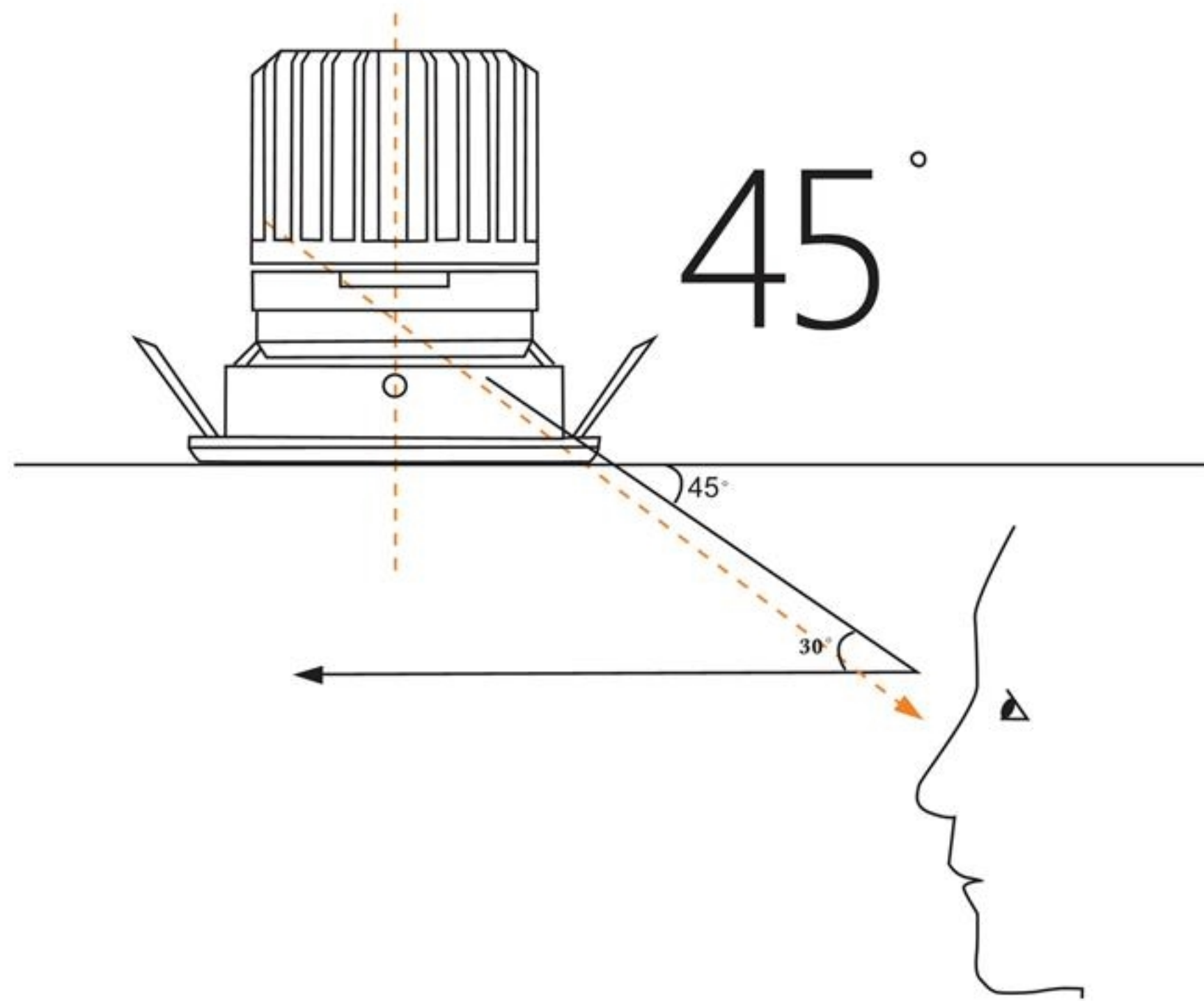
COMMERCIAL SPANCE



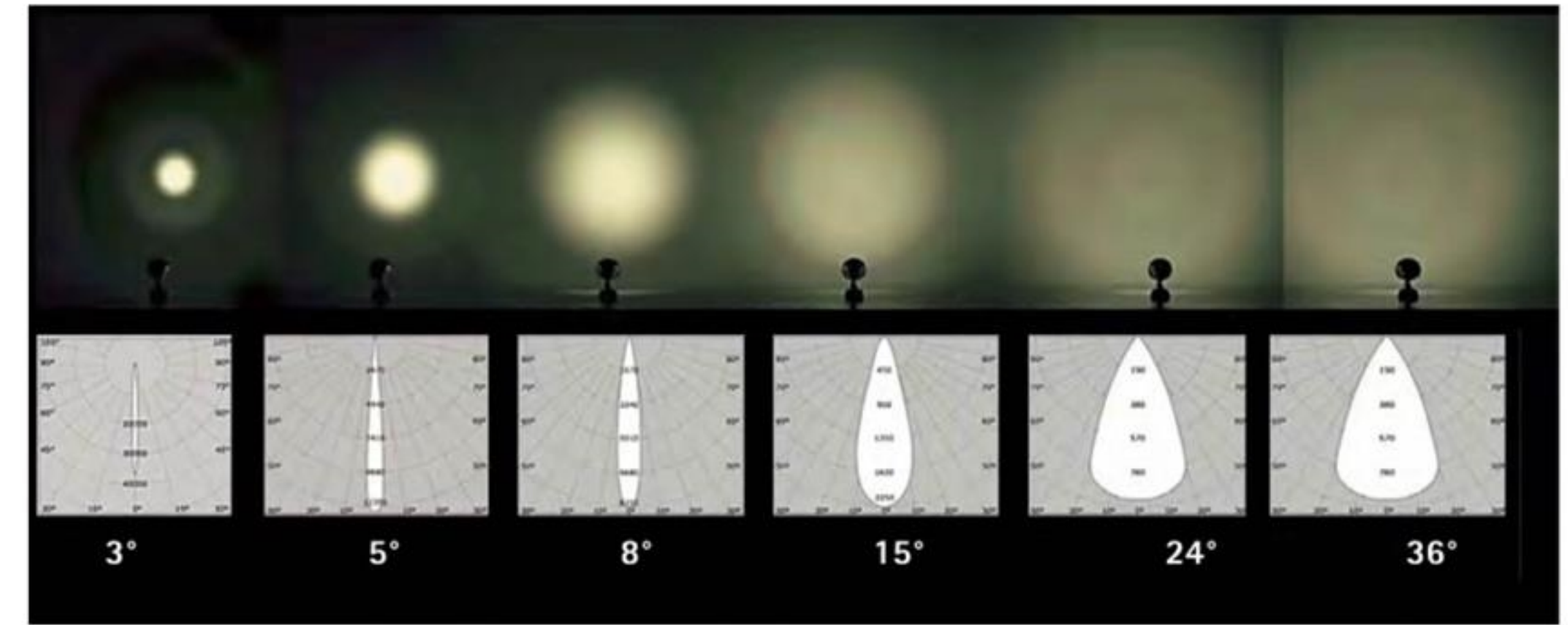
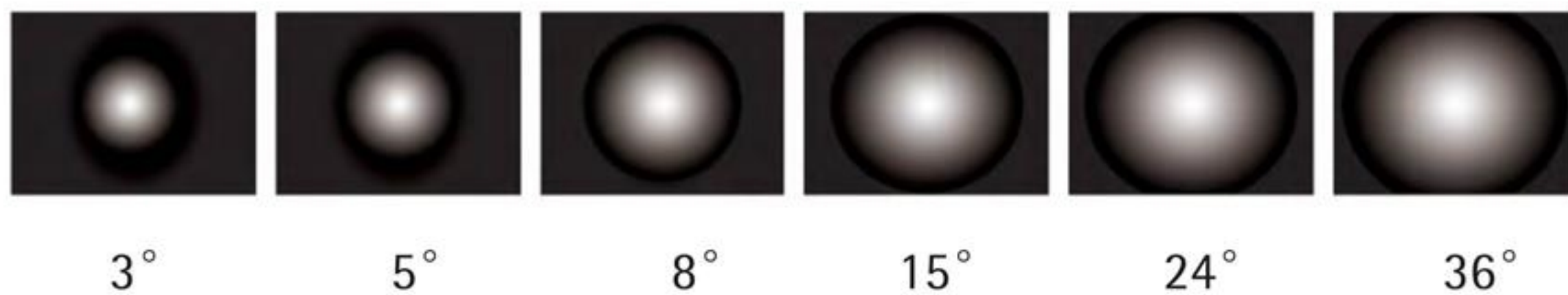


Precise Anti Glare

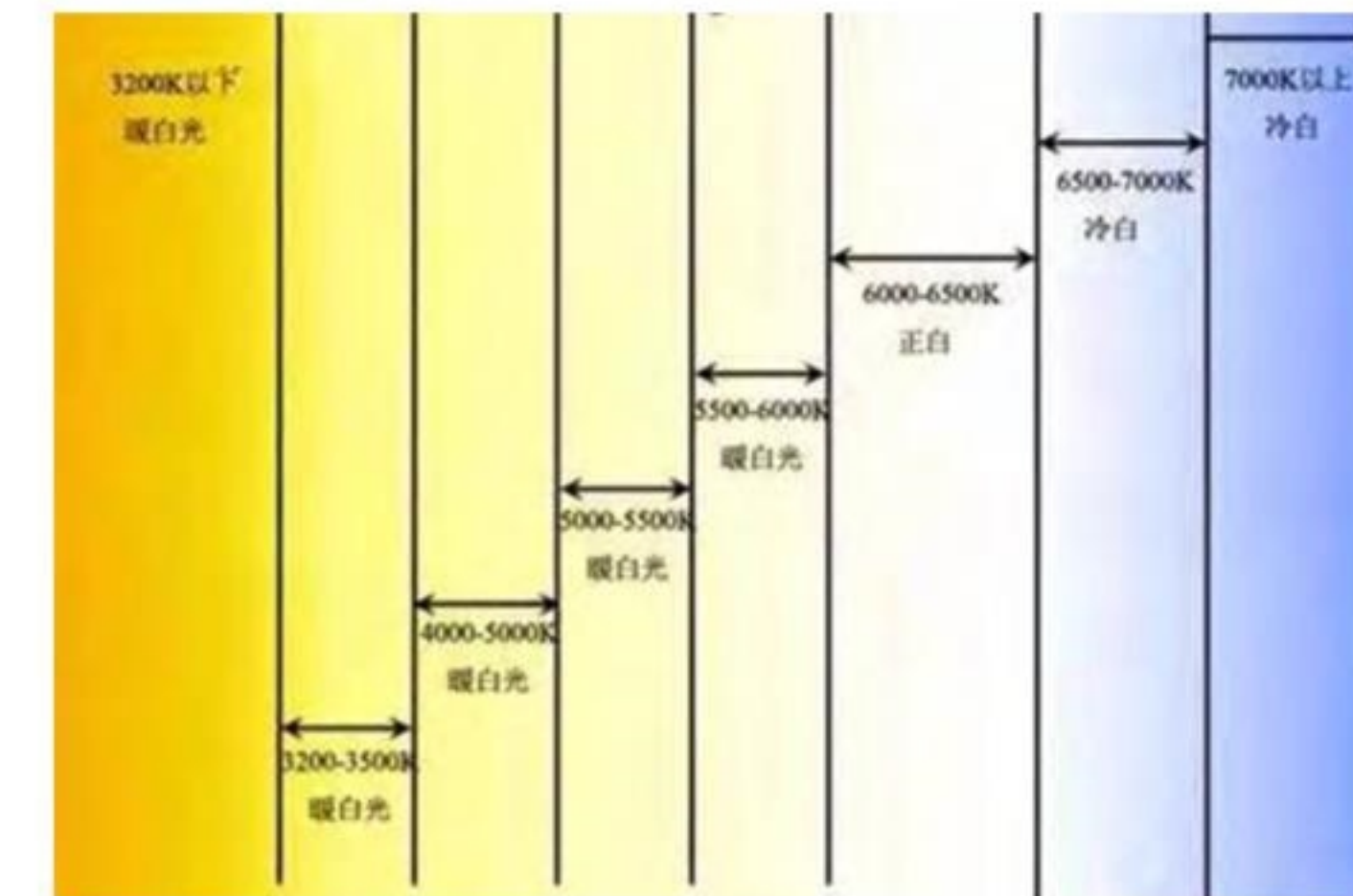
Dailux lamp's shielding angle reaches up to 45 degree, controlling glare at sight so as to make eyes feels comfortable and create pure light.



Accurate Light Distribution And Control



COB LED light have nine kinds of beam angle, 3° / 5° / 8° / 12° / 15° / 24° / 36° / 45° / 60° , meeting the different demands for lighting

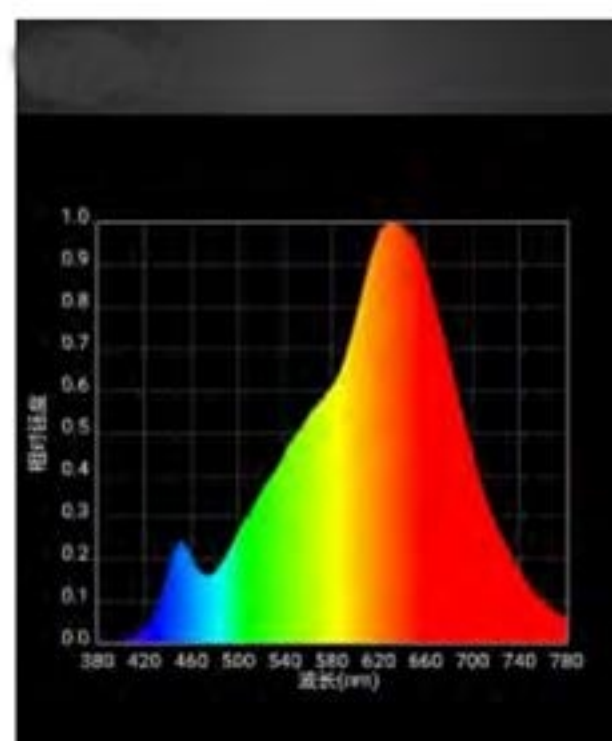


Dailux knows well the requirement for color temperature consistency for the quality lighting ,Dailux applies the LED chips at high consistency from the quality chips manufacturers. All LED chips are sorted out,stored and processed in strict and scientific criterion to guarantee the LED chip in consistency in one batch.

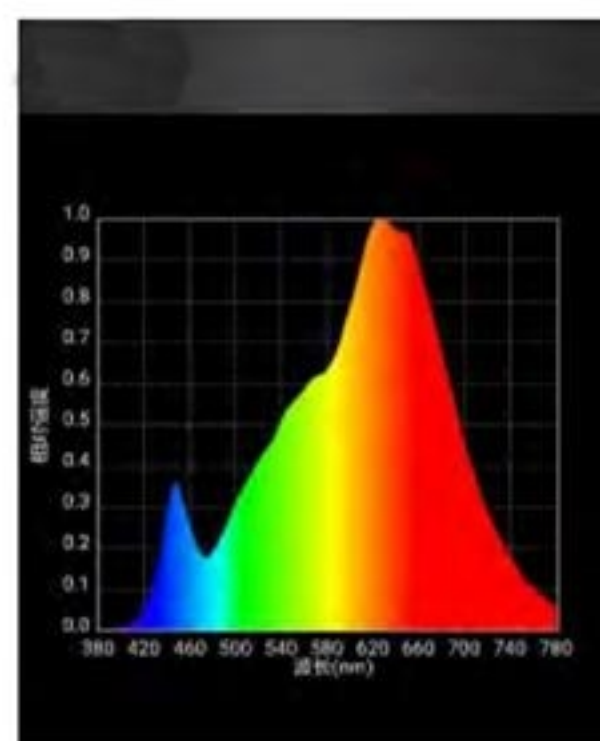
Industry Initiative

DailuxLighting group, more than ten years of experience, combined with domestic and international professional hotel lighting designers, hotel decoration designers and hotel owners' requirements and recommendations, worked with the professional international brand of LED. lasted five years developed the most suitable hotel space and its subsidiary space of the optimal spectrum.

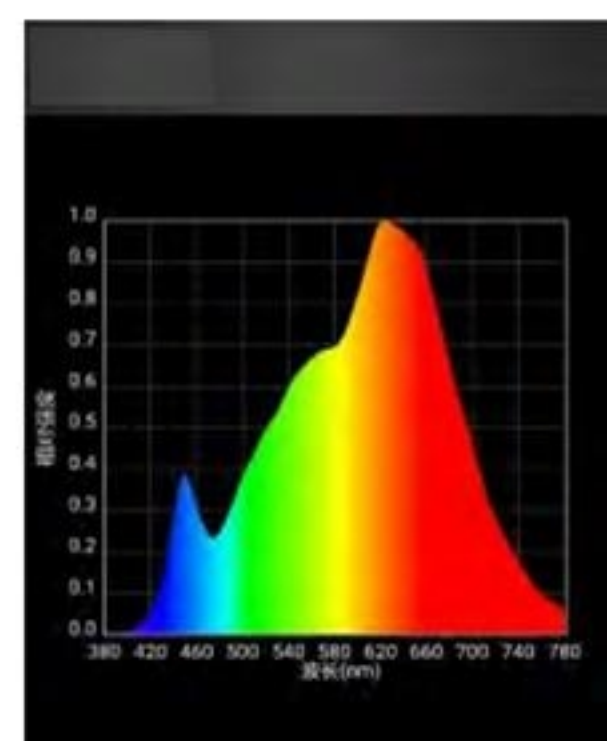
2500K



2800K



3000K



CRI97



CRI97



CRI97



COB (chip on board)

COB ensures the uniformity of light without double image like incandescent. The light from lamps with COB looks pure and natural while light from lamps with single-LED-chip has double image.



TRIDONIC Driver

PHILIPS Driver

EAGLERISE Driver

Lamp with strong heart

Dailux lamp has a powerful inner core which has a longer life than other illuminant.



We create a more vivid world.

New generation LED provides distinctive bright colors

Remark:

1. The price based on our conventional appearance color. For customized color, 5 percent fee will be charged.
2. Letter stands for the chip and driver code and double-digit stands for power as the following:

Chip: A--CREE B--EPISTAR C--OTHER

Driver: A--the standard B--0-10V dimmer C--silicon controlled dimmer
D--customized(Eaglerise,Philips etc.)

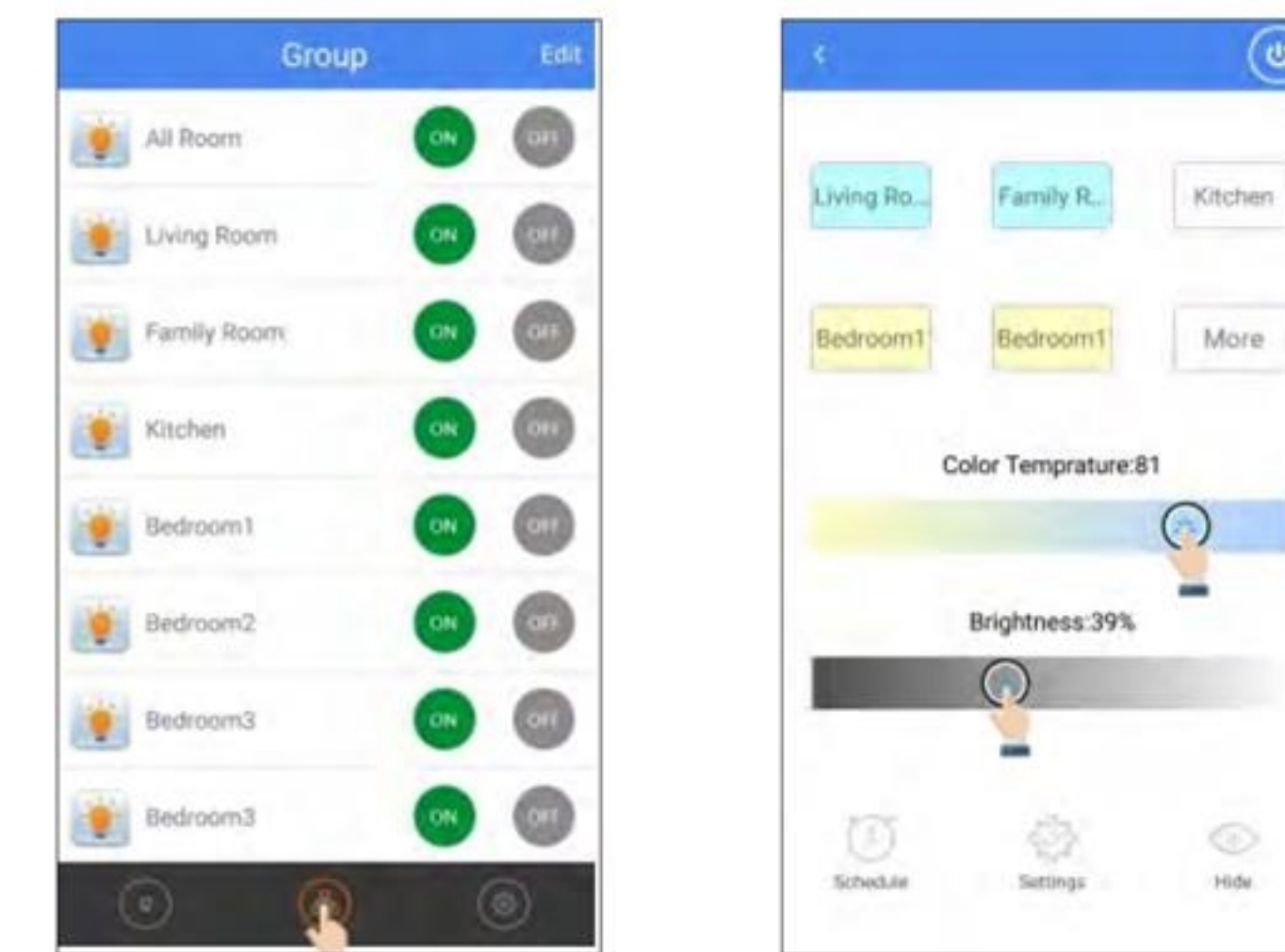
Power: 06--6W 09--9W 10--10W 20--20W and so on

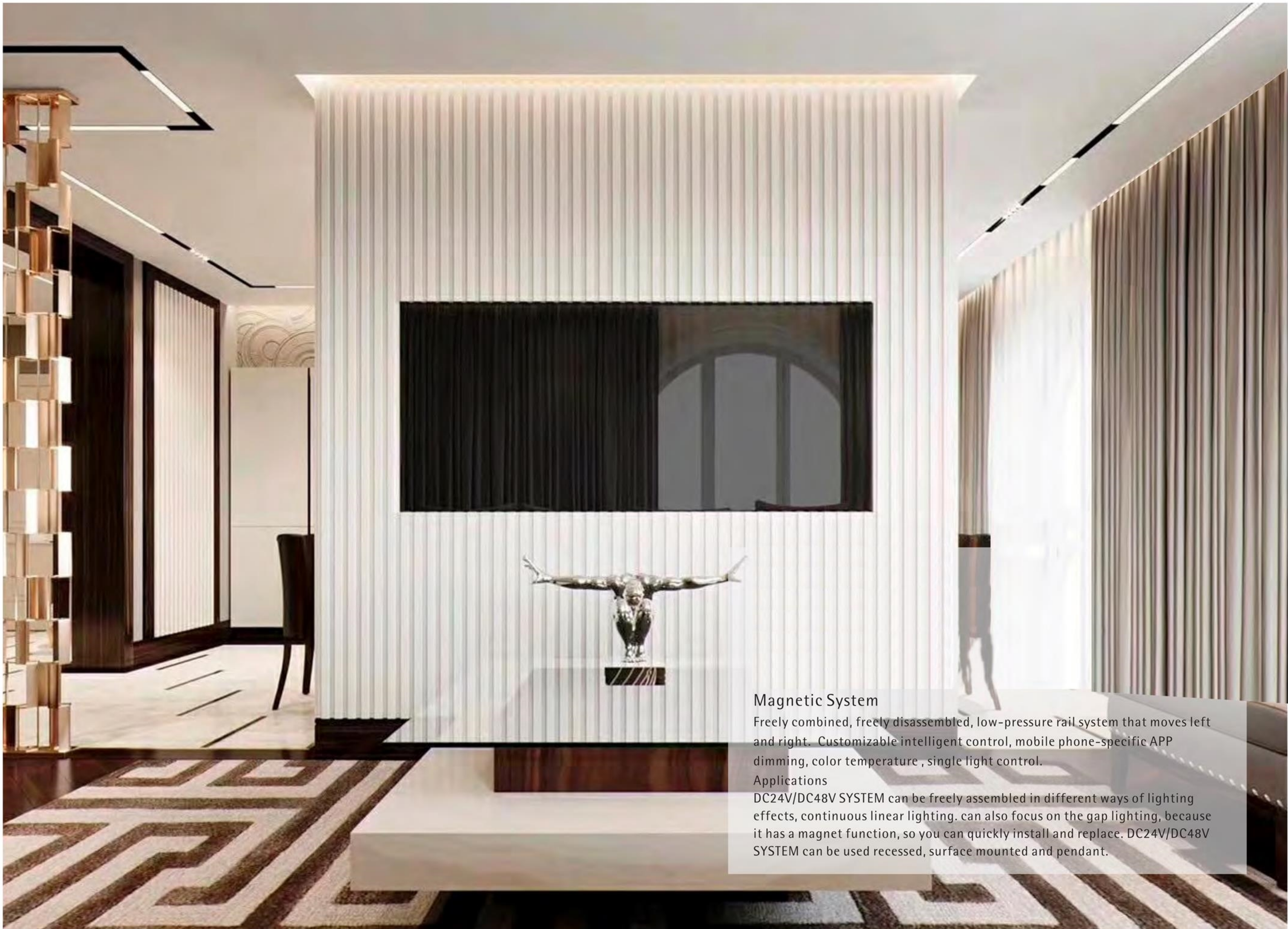
E.g. BJ-JD8575A09-AA stands for BJ-JD8575A 9W CREE standard driver



3. DALI Available:

DALI intelligent control is available, mobile phone-specific APP can be used to adjust the brightness, color temperature and control specific light.





Magnetic System

Freely combined, freely disassembled, low-pressure rail system that moves left and right. Customizable intelligent control, mobile phone-specific APP dimming, color temperature, single light control.

Applications

DC24V/DC48V SYSTEM can be freely assembled in different ways of lighting effects, continuous linear lighting. can also focus on the gap lighting, because it has a magnet function, so you can quickly install and replace. DC24V/DC48V SYSTEM can be used recessed, surface mounted and pendant.

Magnetic >>>>>

Magnetic >>>>>

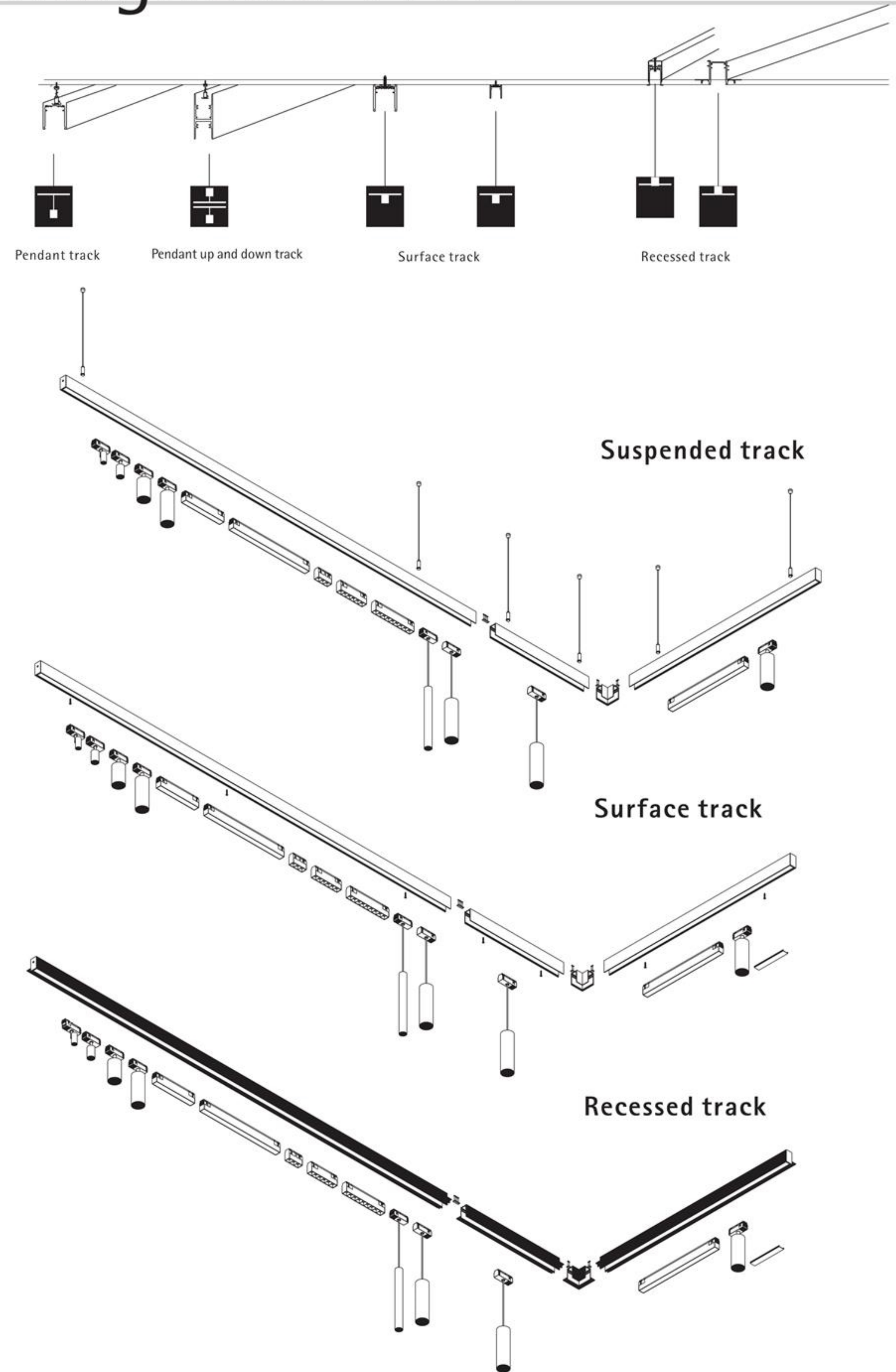
Magnetic System



DALIX 003

DALI Available

Magnetic System



DALIX 004

DALI Available

Model X series >>>>>

Model X series >>>>>

Magnetic System

Magnetic System



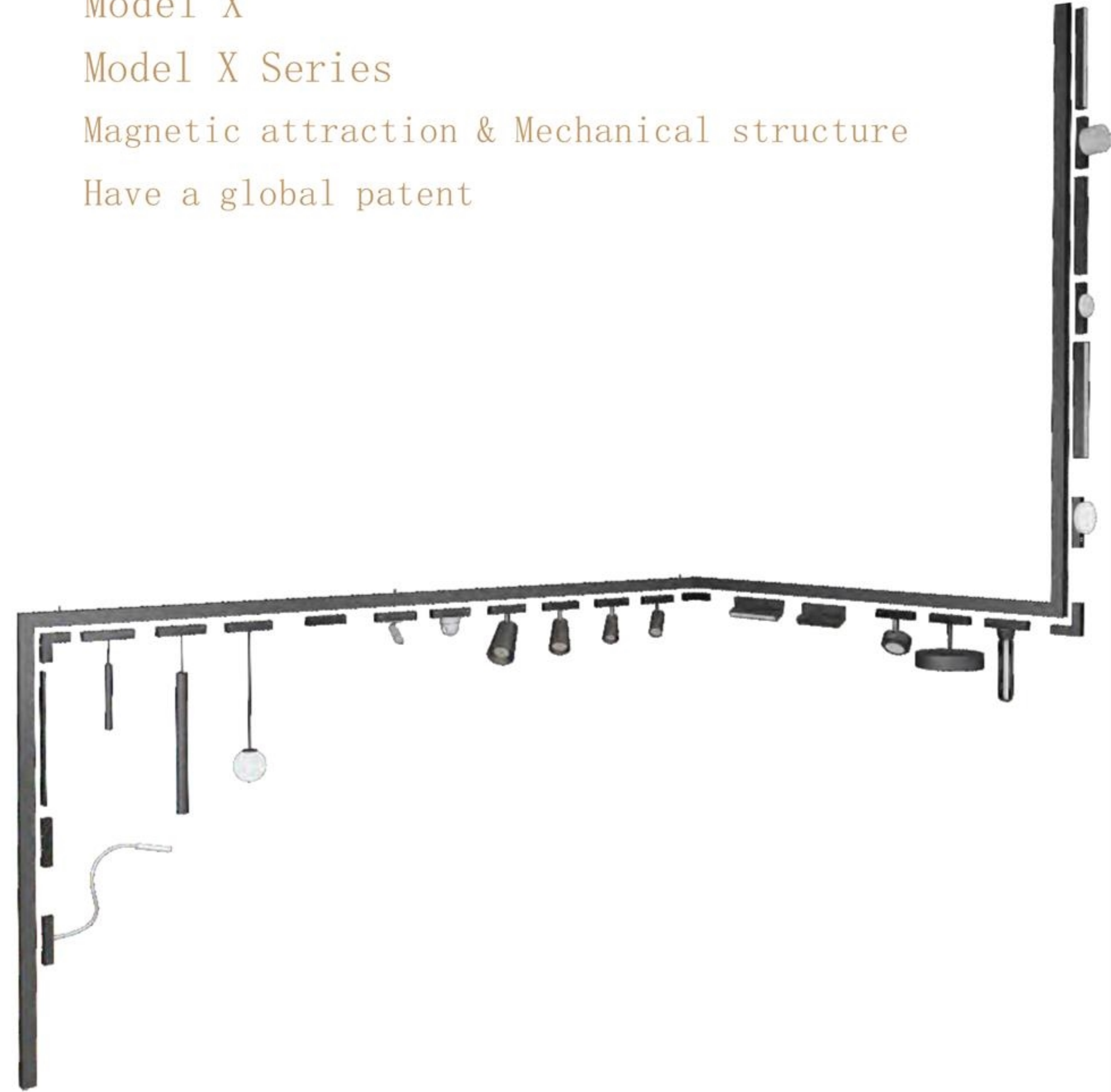
DALIX 005

DALIX 006

DALI Available

DALI Available

Model X
 Model X Series
 Magnetic attraction & Mechanical structure
 Have a global patent

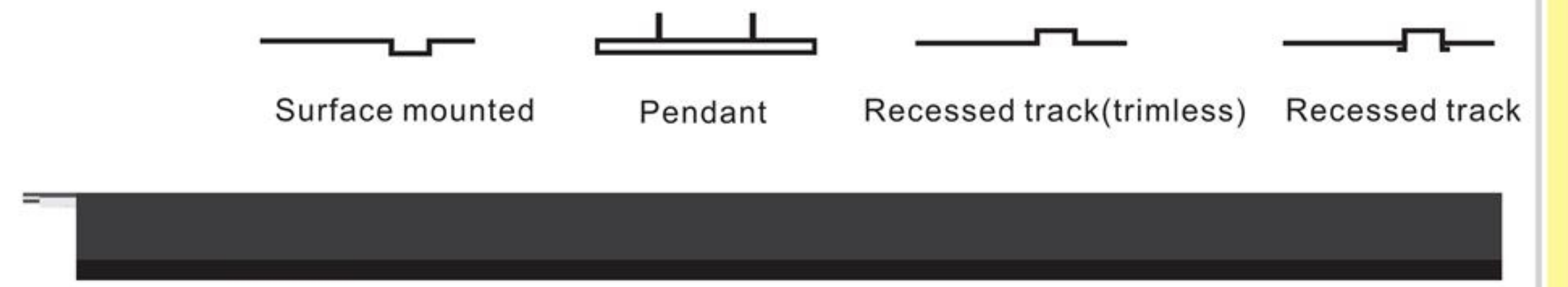


Model X series >>>>>

Model X series >>>>>

Magnetic System

Magnetic System



BJ-MN-CCSD10
BJ-MN-CCSD20
BJ-MN-CCSD30



BJ-CT-MNCCT-3039



BJ-CT-MNCCB-2227-03



BJ-CT-CCGS-18



BJ-MNCCP-01



BJ-MNCCG-12-1
BJ-MNCCG-12-2



BJ-CT-MNDCB3515



BJ-CT-MNDCB4503



BJ-MN-CCCB-10 10W



BJ-MN-CCDQ-015 8W



BJ-MN-CCDQ-015 8W



BJ-Bedside lam



Display case



BJ-Ultraviolet radiator



BJ-Alarming apparatus



BJ-USB & clock



BJ-Bluetooth audio



BJ-Camera



BJ-Control monitor



BJ-Power Supply fittings
Arbitrary collocation

DALI intelligent control Tuya available, mobile phone-specific APP can be used to adjust the brightness, color temperature and control specific light.



DALIX 007

DALIX 008

DALI Available

DALI Available

Model X series >>>>>

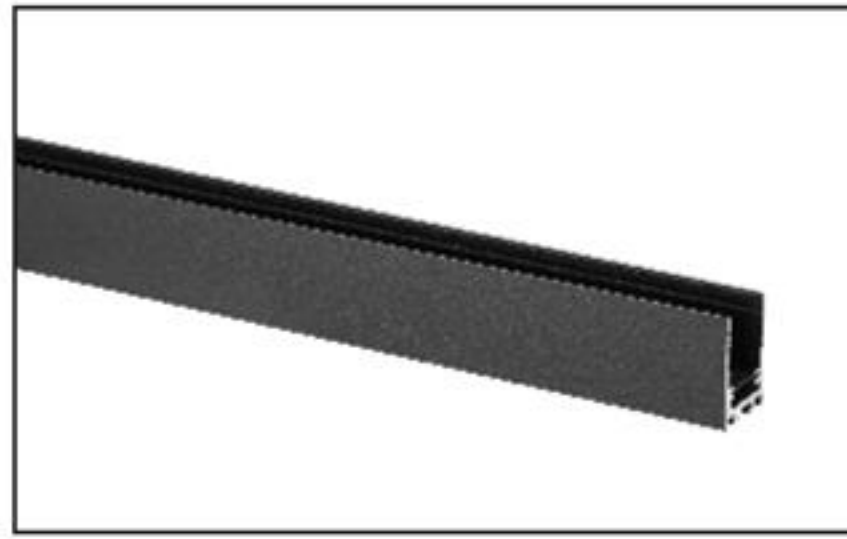
Model X series >>>>>

Magnetic System

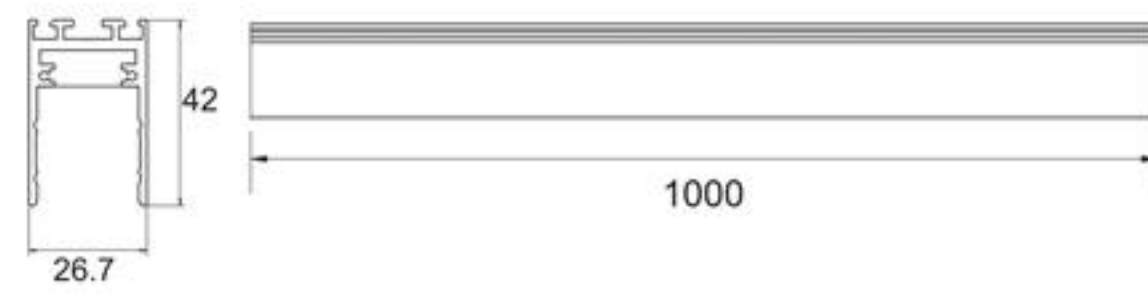
Magnetic System

Model X series Track

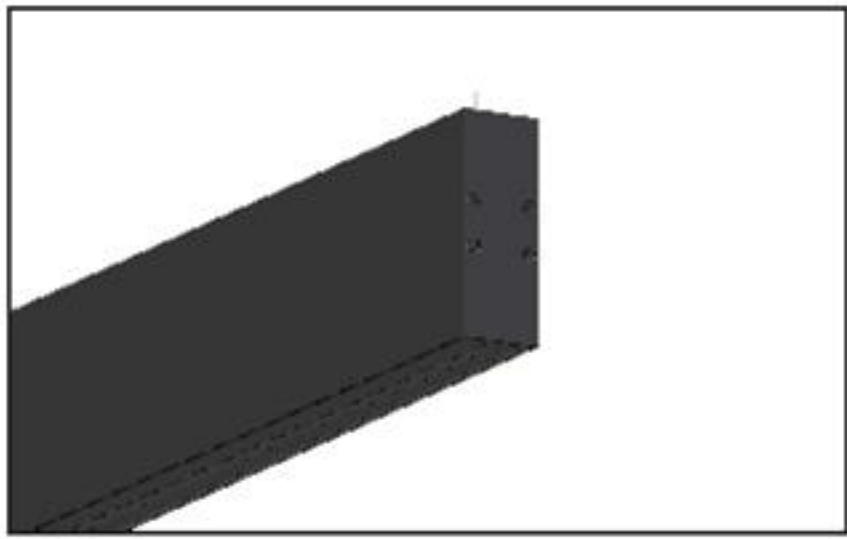
BJ-CT-MNMZ-X



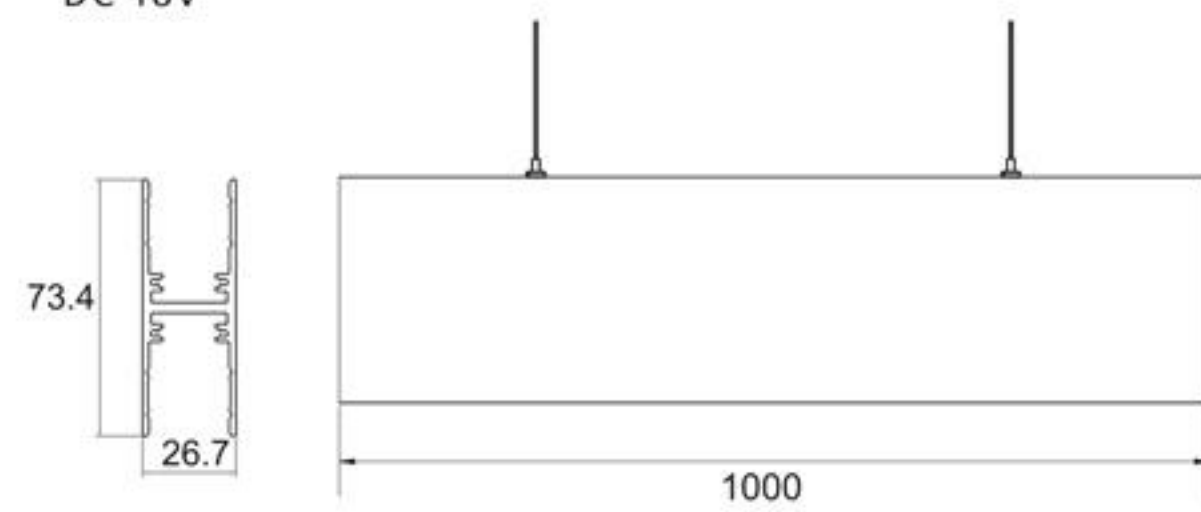
Surface mounted track
DC 48V



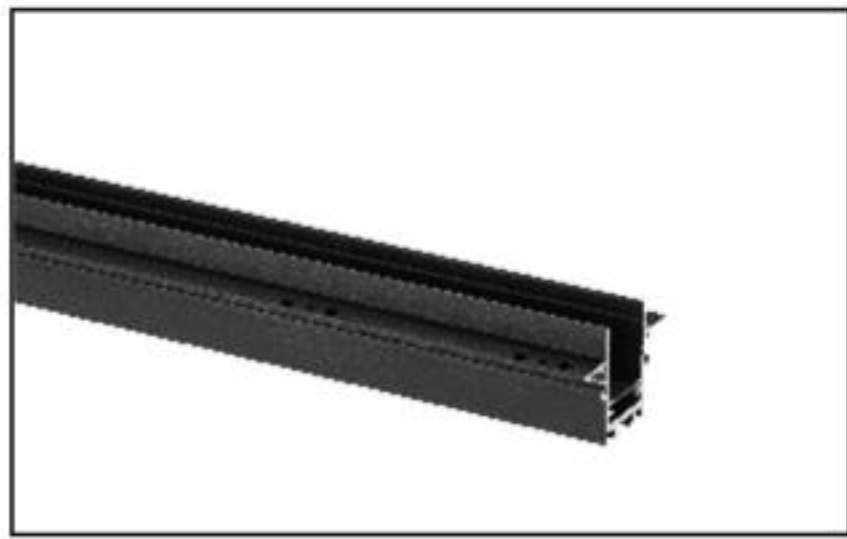
BJ-CT-MNDZ-X



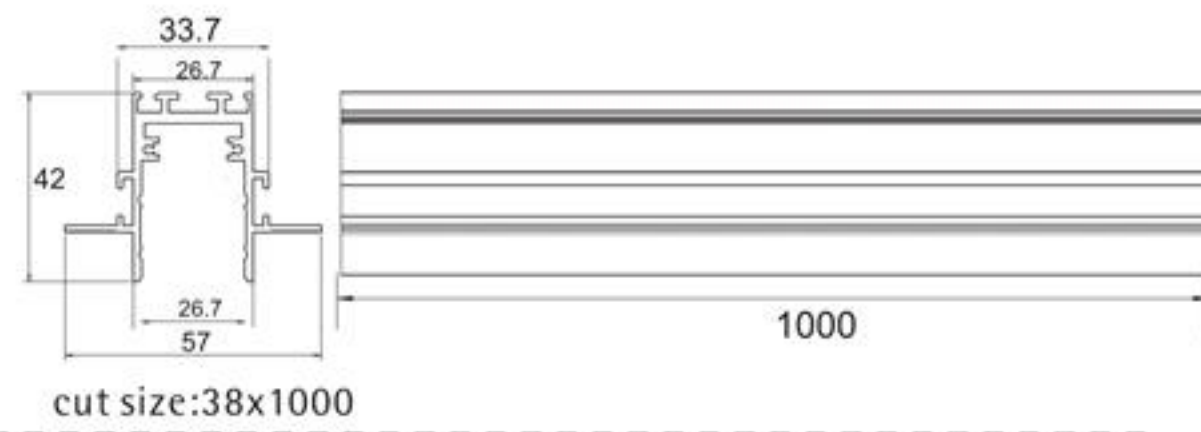
Pendant
DC 48V



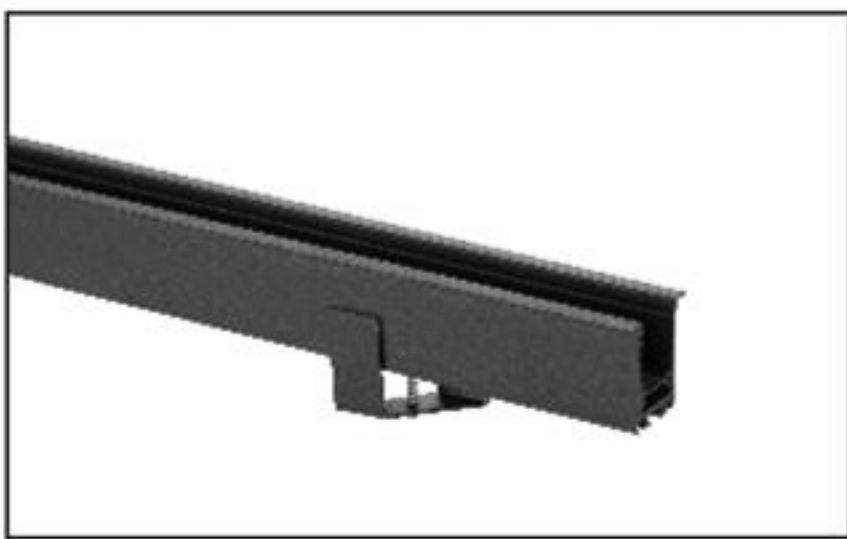
BJ-CT-MNWB-X



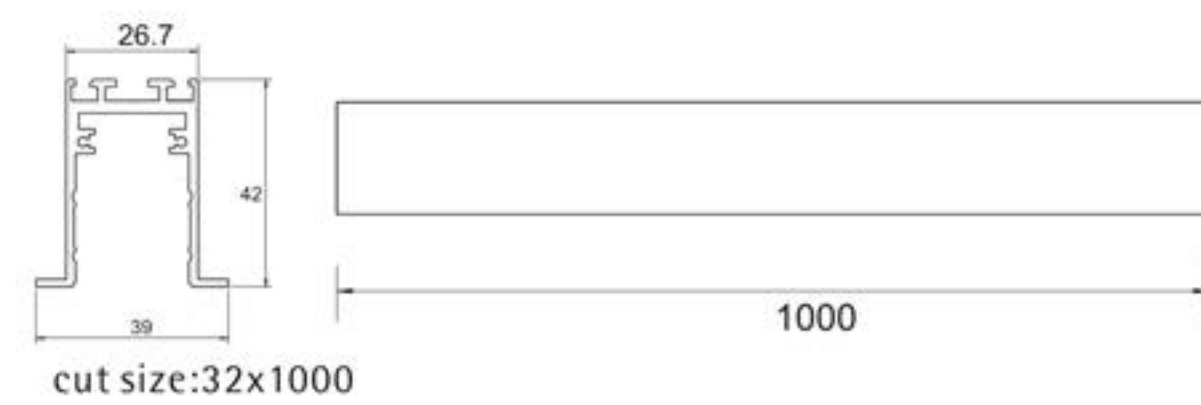
Recessed track(trimless)
DC 48V



BJ-CT-MNZB-X



Recessed track
DC 48V



DALIX
009

DALIX
010

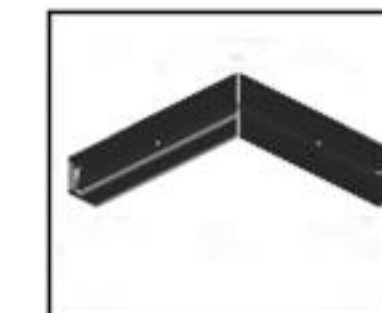
Track Connector Module



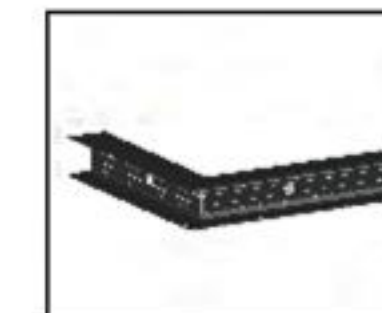
= 180°
= Connection Module



L90°
L Connection Module



L90° N
IN 7 Connection Module



L90° W
EX 7 Connection Module

DALI Available

DALI Available

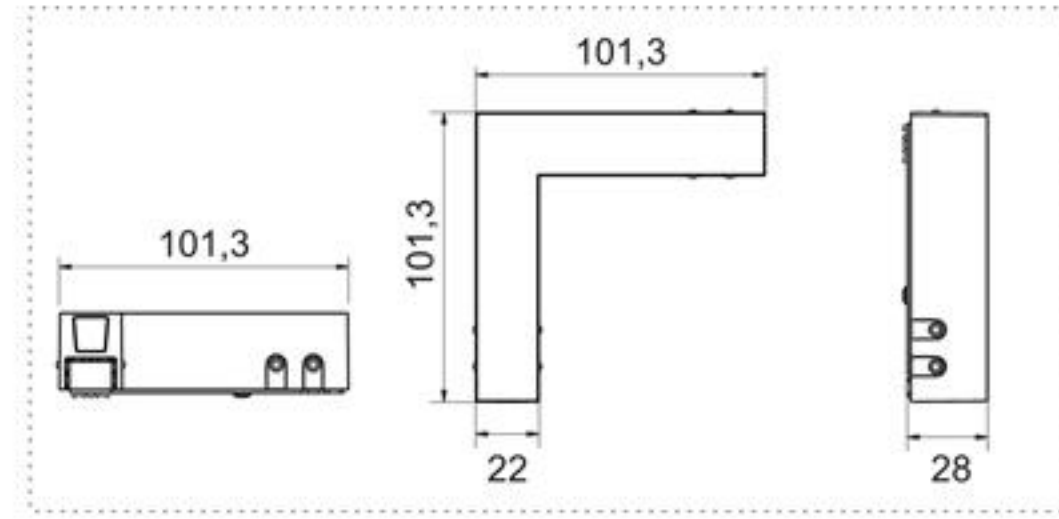
Model X series >>>>> Accessories

Model X series >>>>> Accessories

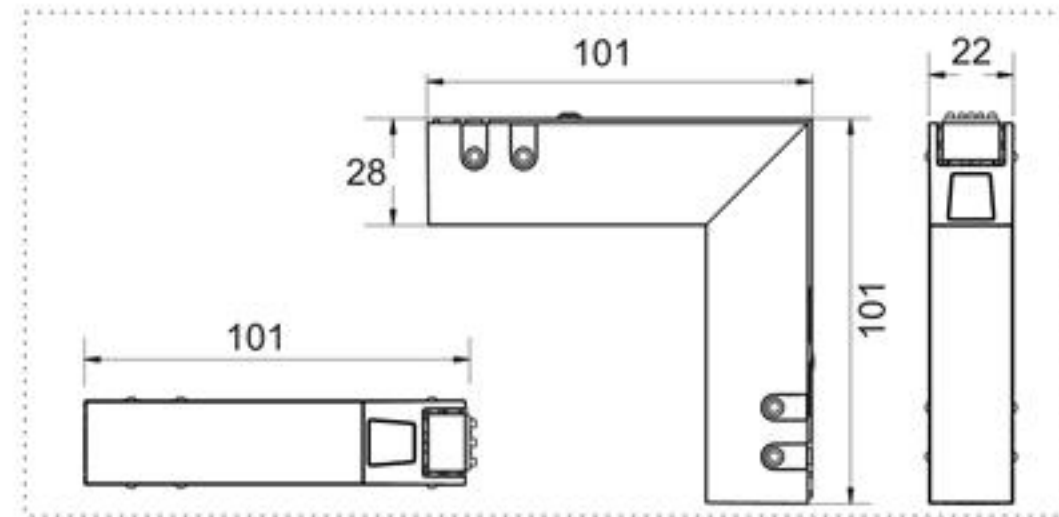
Magnetic System

Connection Box

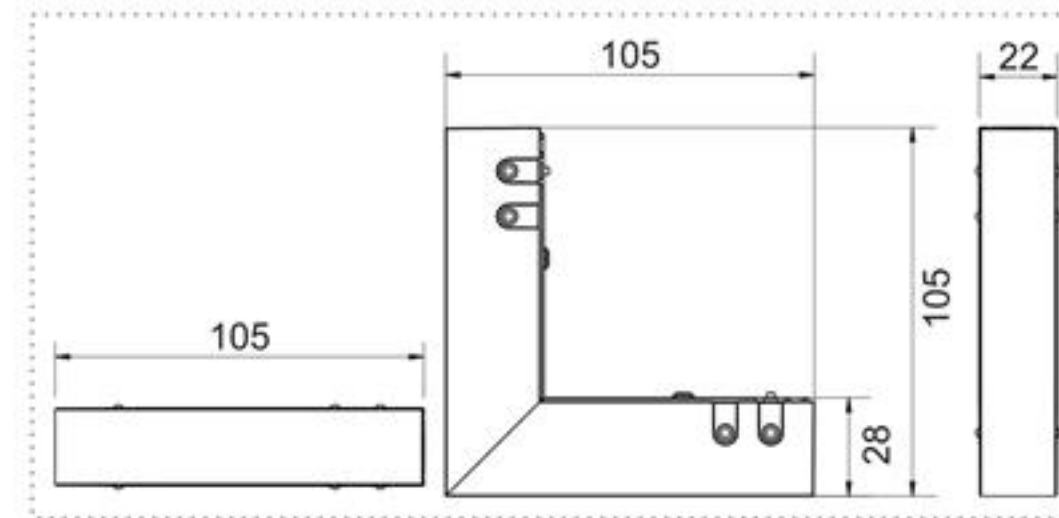
BJ-CT-MN Right Angle



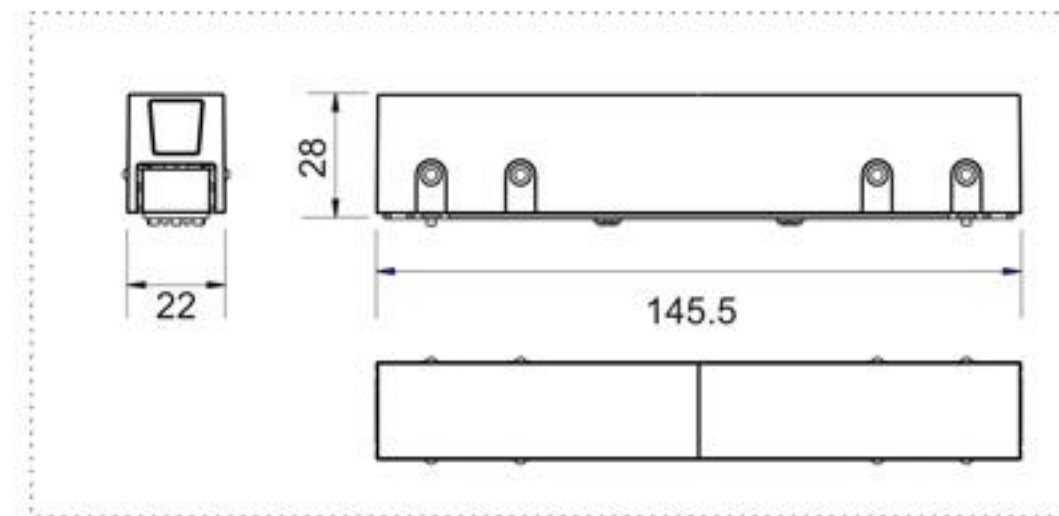
BJ-CT-MN Internal Corner



BJ-CT-MN External Corner

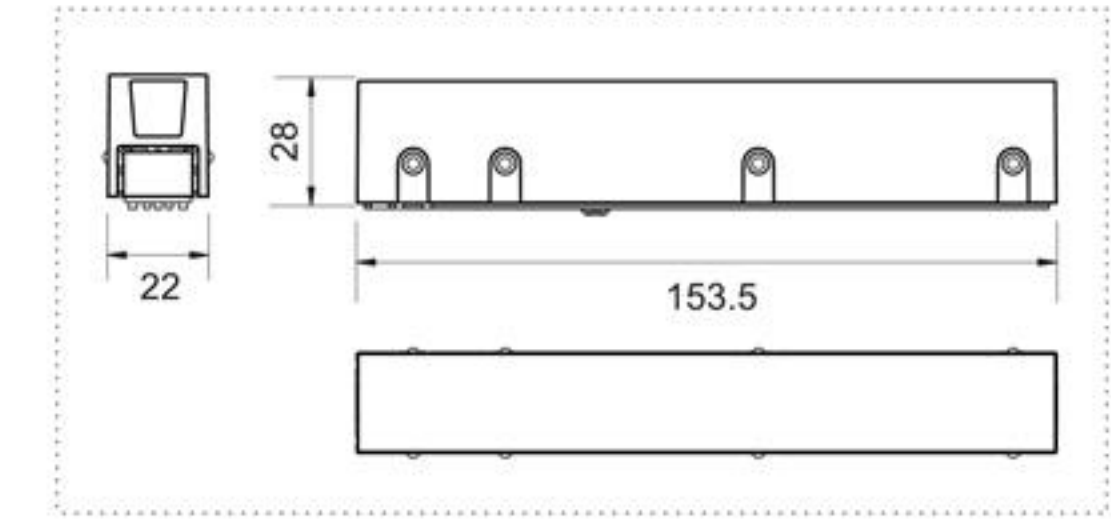


BJ-CT-MN



Power Supply Box

BJ-CT-MN



DALIX
011

DALIX
012

DALI Available

DALI Available

Model X series >>>>>

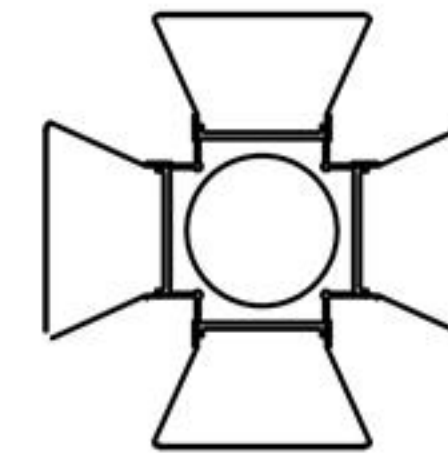
Model X series >>>>>

Magnetic System

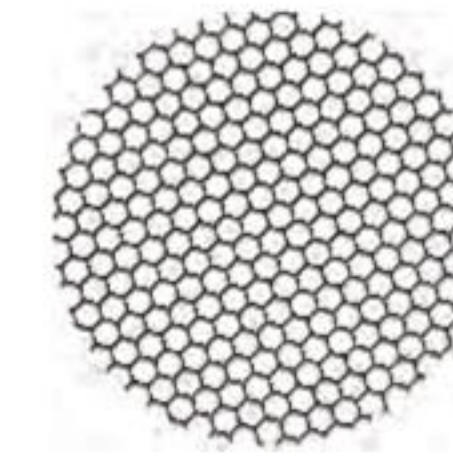
Magnetic System



BJ-MN-CCSD10 10W



Four Leaf Barn Door



Honeycomb mesh



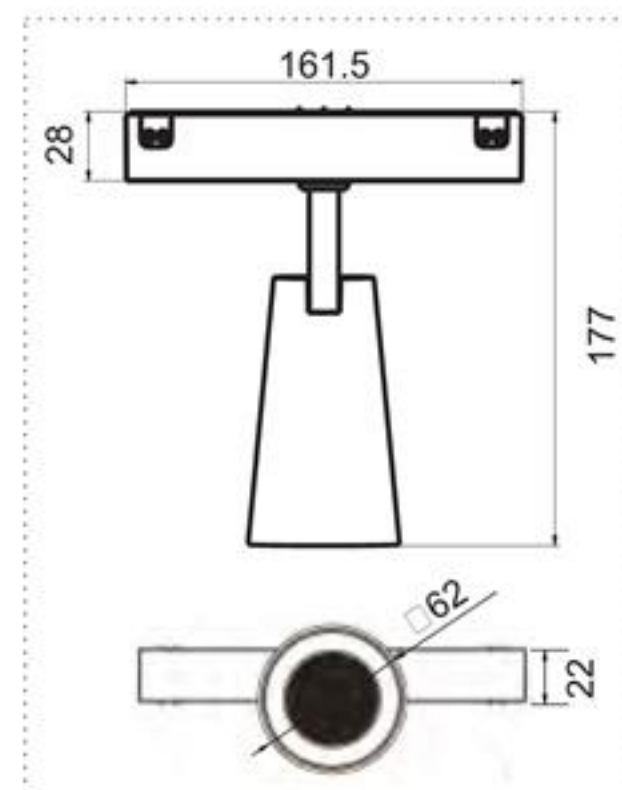
BJ-MN-CCSD20 20W

DAILUX 013

DAILUX 014

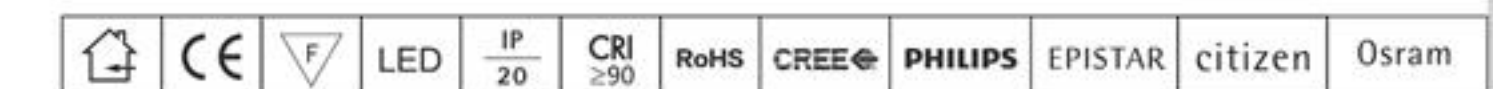
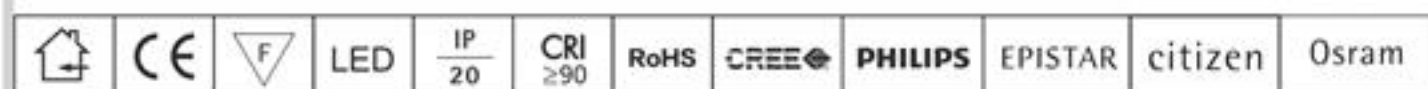
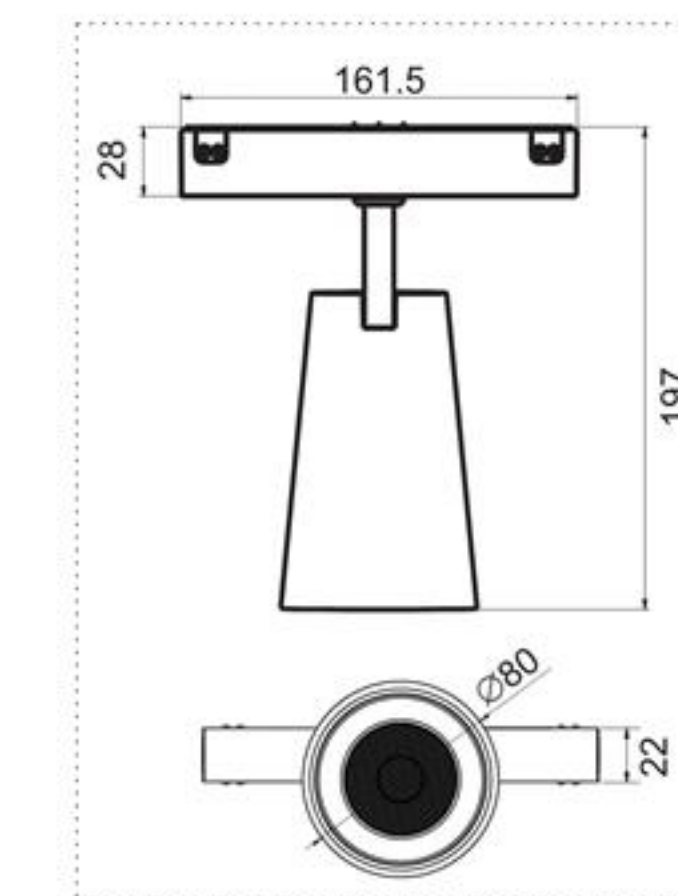
IP20

Power	10W
CCT	3000K 4000K 6000K
CRI	>90
Input voltage	24V/48V
Beam Angel	15° 24° 38°
Color	Black/White
Efficiency	75-80lm/w



IP20

Power	20W
CCT	3000K 4000K 6000K
CRI	>90
Input voltage	24V/48V
Beam Angel	15° 24° 38°
Color	Black/White
Efficiency	75-80lm/w



Model X series >>>>>

Model X series >>>>>

Magnetic System

Magnetic System

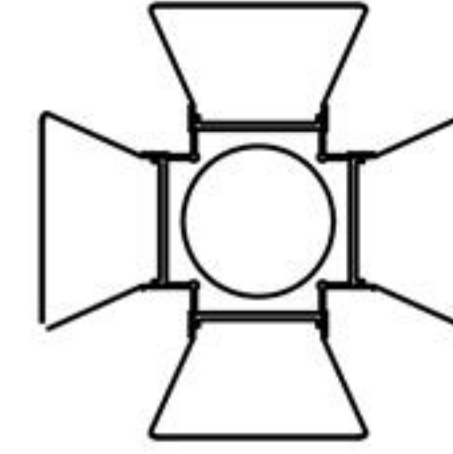


DALIX
015

DALIX
016

DALI Available

DALI Available

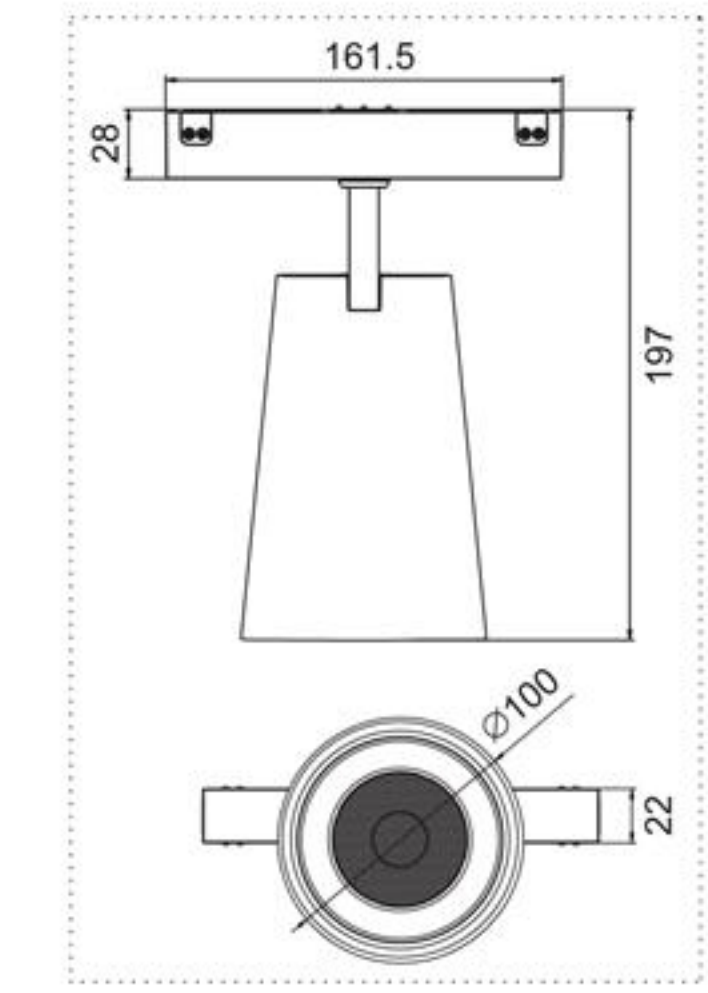
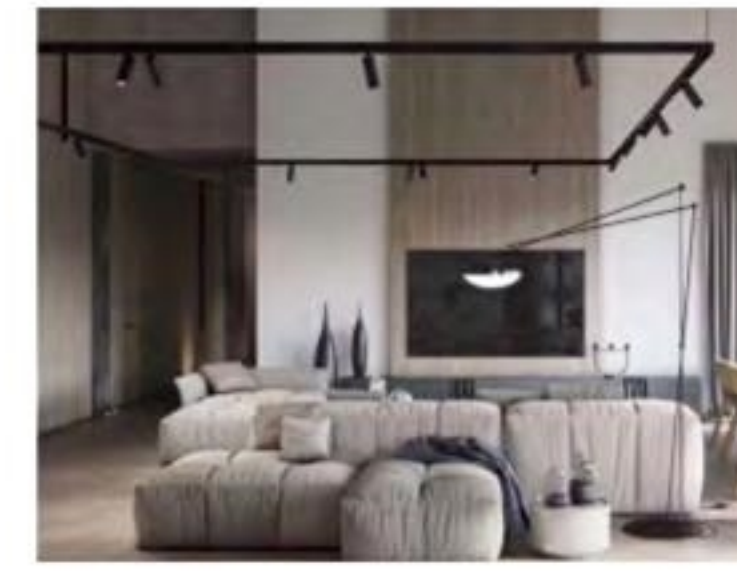


Four Leaf Barn Door



BJ-MN-CCSD30

IP20	
Power	30W
CCT	3000K 4000K 6000K
CRI	>90
Input voltage	24V/48V
Beam Angel	15° 24° 38°
Color	Black/White
Efficiency	80-90lm/w



-
-
-
-
-
-
-
-
-
-
-

Model X series >>>>>

Model X series >>>>>

Magnetic System

Magnetic System



DALIX
017

DALIX
018

DALI Available

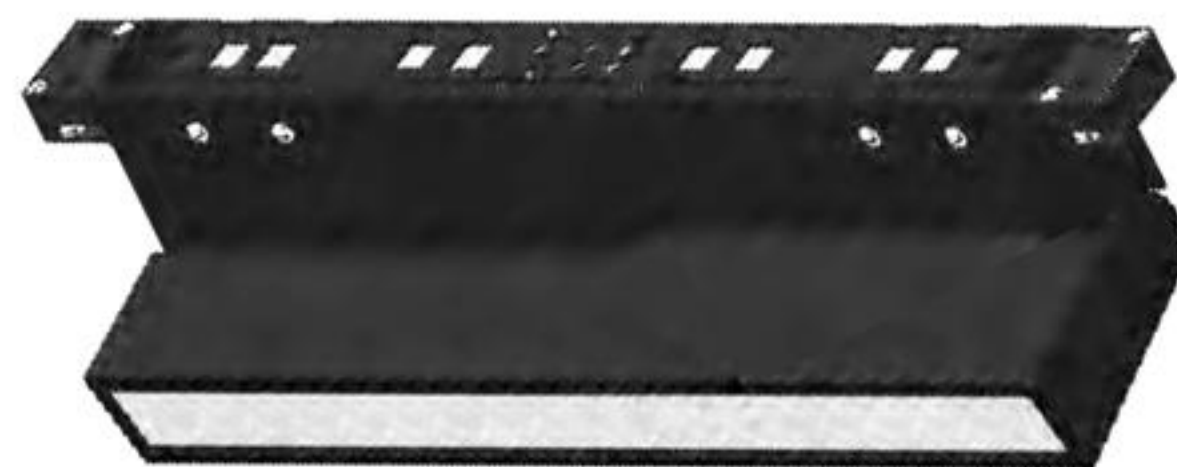
DALI Available

Model X series >>>>>

Model X series >>>>>

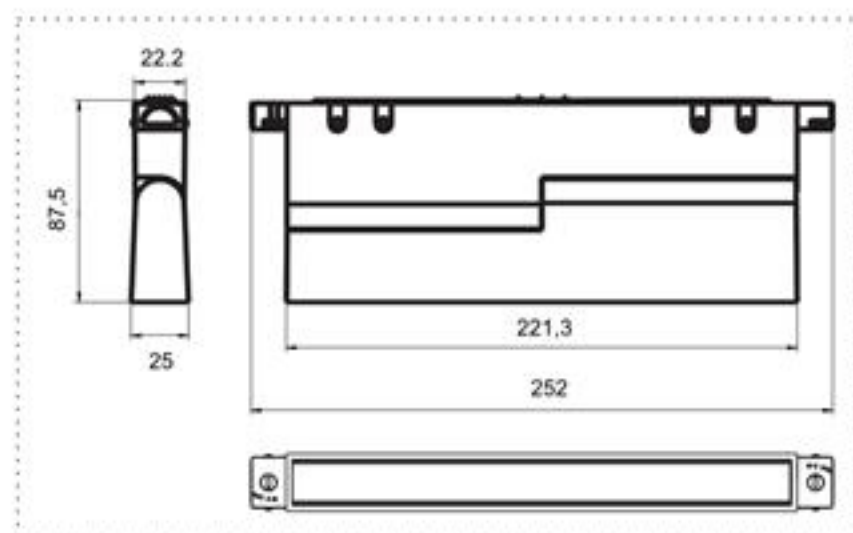
Magnetic System

Magnetic System



BJ-MNCCP-01

IP20	
Power	10W
CCT	3000K 4000K 5000K
CRI	> 90
Input voltage	48V
Beam Angel	110°
Color	Black/White
Efficiency	75-80lm/w



BJ-MNCCG-12-1



BJ-MNCCG-12-2

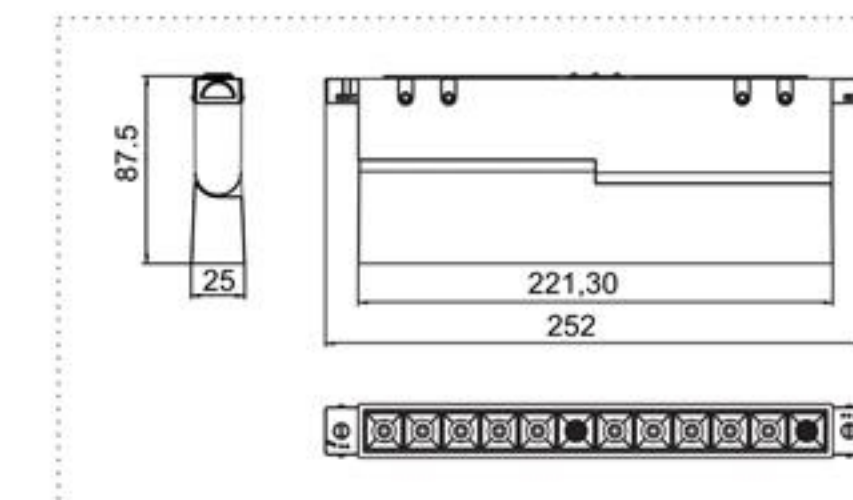


light stop



BJ-MNCCG-12-1
BJ-MNCCG-12-2

IP20	
Power	15W
CCT	3000K 4000K 5000K
CRI	> 90
Input voltage	48V
Beam Angel	15° 24° 35° 55°
Color	Black/White
Efficiency	75-80lm/w

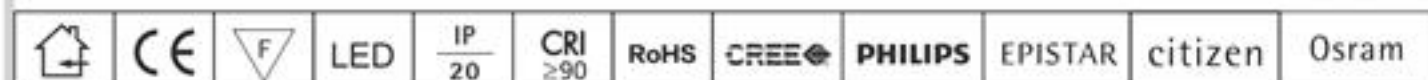


DALIX 019

DALIX 020

DALI Available

DALI Available

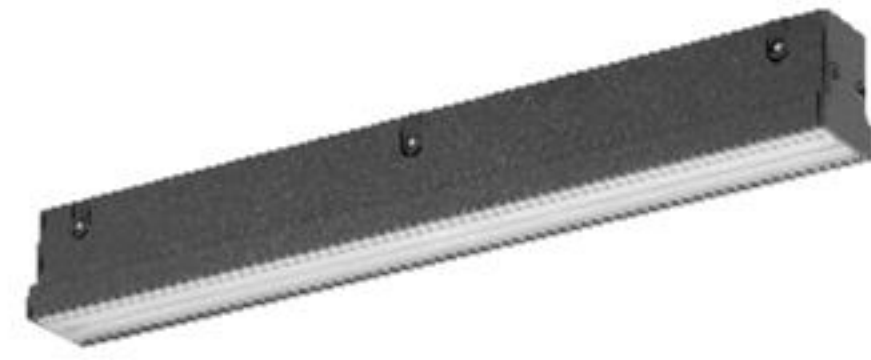


Model X series >>>>>

Model X series >>>>>

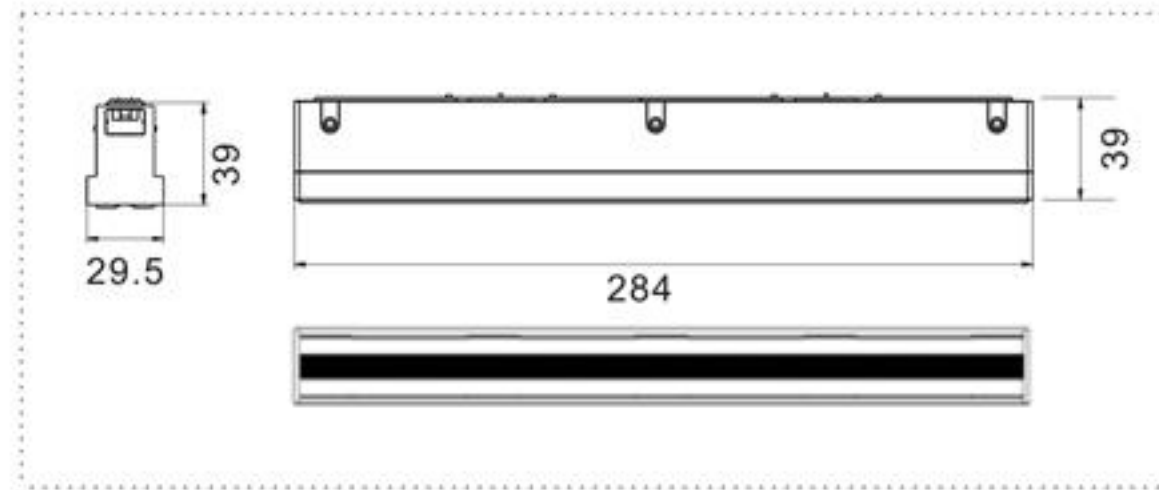
Magnetic System

Magnetic System



BJ-CT-MNCCT-3039

IP20	
Power	10W
CCT	3000K 4000K 6000K
CRI	> 85
Input voltage	24V/48V
Beam Angel	60° 82° single polarized 36° double polarized 60
Color	Black/White
Efficiency	75-80lm/w

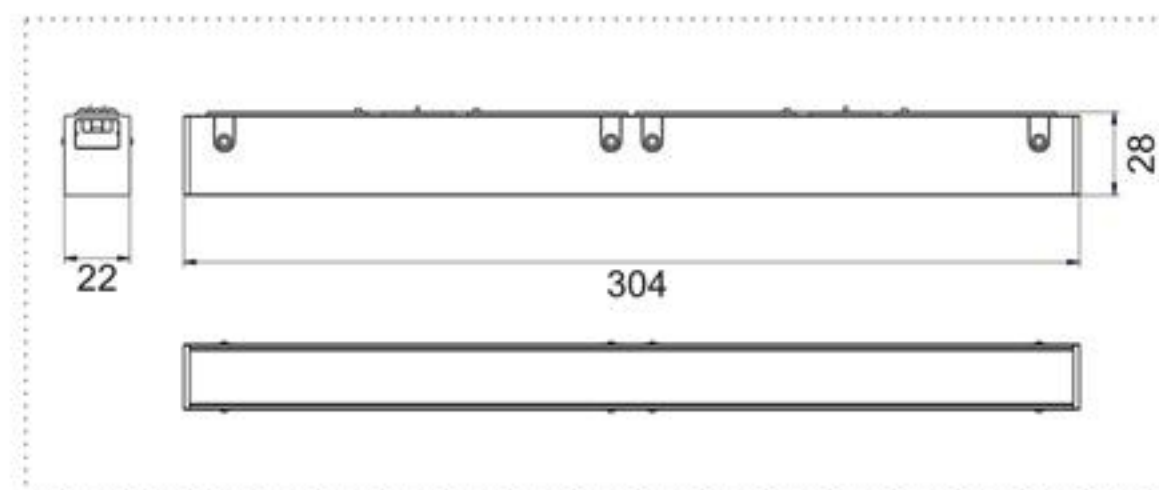


White diffuser

Black diffuser

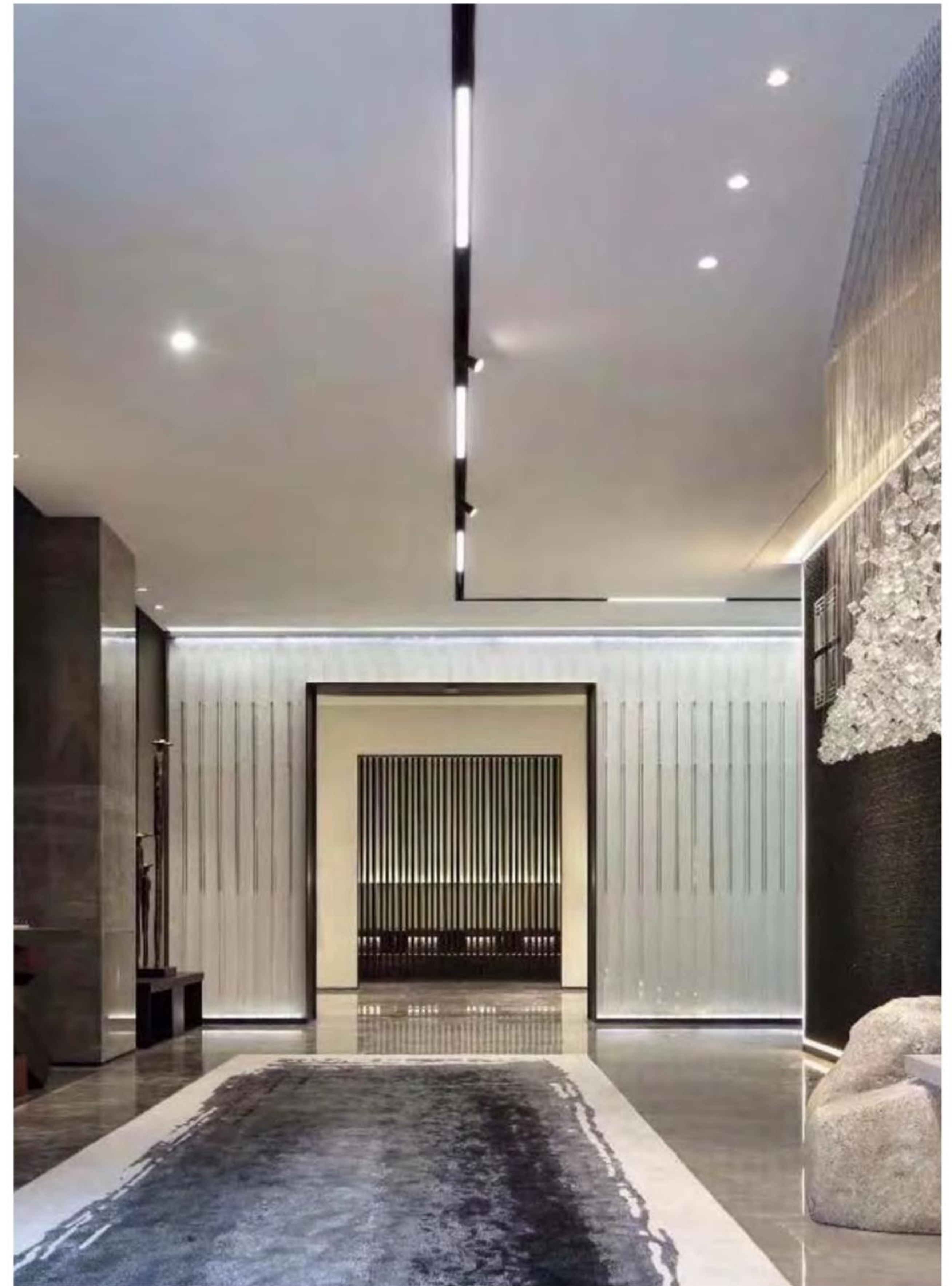
BJ-CT-MNCCB-2227-03

IP20	
Power	9W
CCT	3000K 4000K 6000K
CRI	> 85
Input voltage	24V/48V
Beam Angel	110°
Color	Black/White/black diffuser available
Efficiency	75-80lm/w



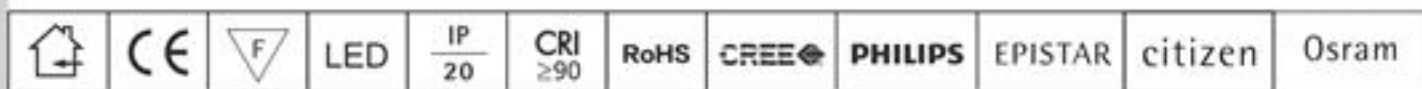
DAI LUX
021

DAI LUX
022



DAI L Available

DAI L Available



Model X series >>>>>

Model X series >>>>>

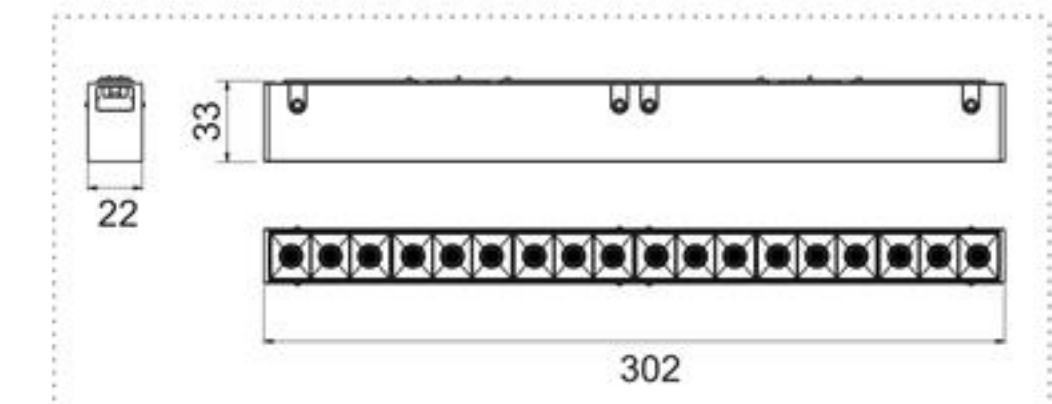
Magnetic System

Magnetic System



DAILUX
023

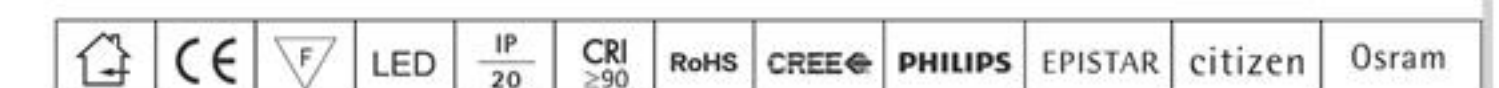
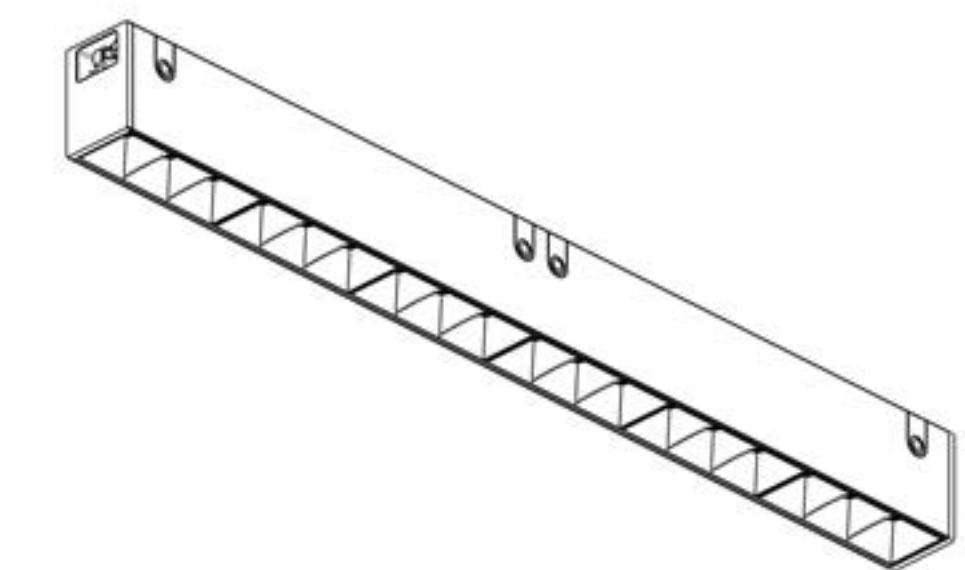
DAILUX
024



BJ-CT-CCGS-18

IP20

Power	10W
CCT	3000K 4000K 6000K
CRI	> 85
Input voltage	24V/48V
Beam Angel	25° 30° 60°
Color	Black/White
Efficiency	75-80lm/w



DALI Available

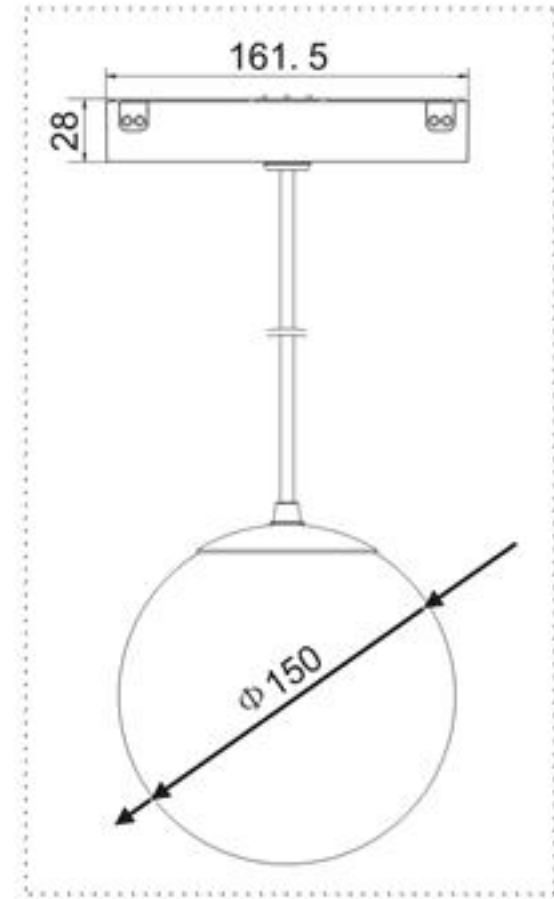
DALI Available

Model X series >>>>>

Model X series >>>>>

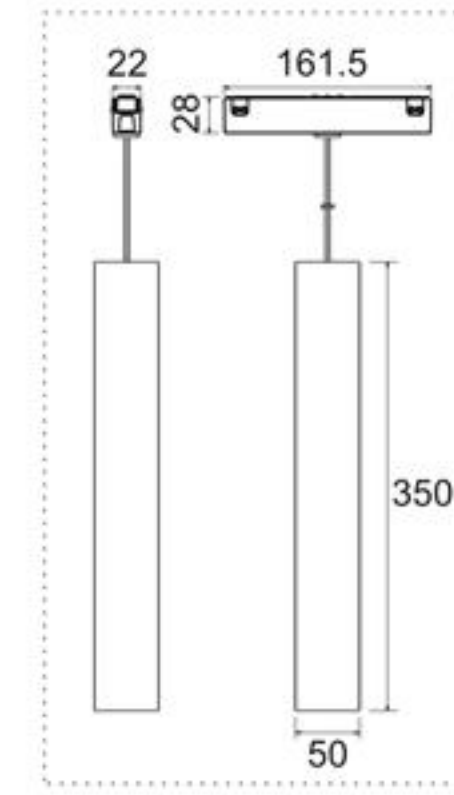
Magnetic System

Magnetic System

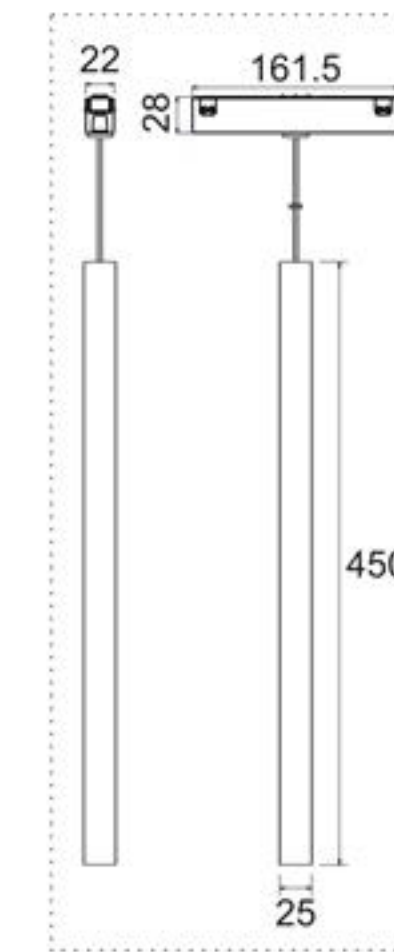


BJ-MN-CCDQ-015 8W

IP20	
Power	8W
CCT	3000K 4000K 6000K
CRI	> 85
Input voltage	24V/48V
Beam Angel	120°
Color	Black/White
Efficiency	75-80lm/w



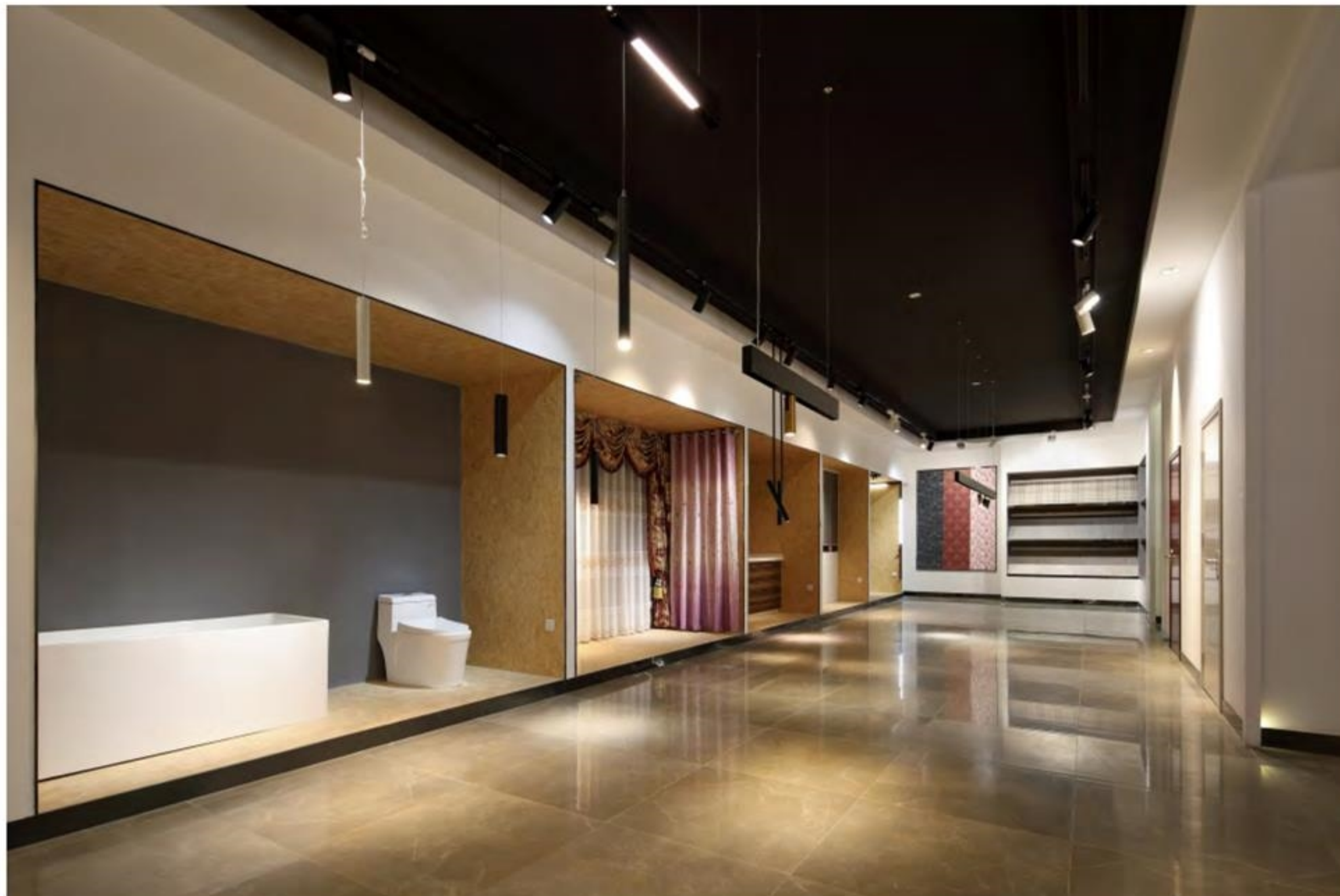
BJ-CT-MNDCB3515 15W



BJ-CT-MNDCB4503 2.2W

DAILUX
025

DAILUX
026



BJ-CT-MNDCB3515

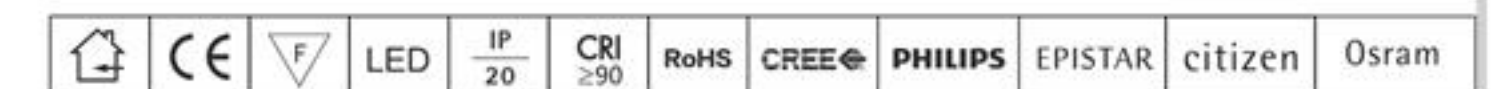
BJ-CT-MNDCB4503

IP20	
Power	15W/2.2W
CCT	3000K 4000K 6000K
CRI	> 85
Input voltage	24V/48V
Beam Angel	25° 60°
Color	Black/White
Efficiency	75-80lm/w



DALI Available

DALI Available



Model X series >>>>>

Model X series >>>>>

Magnetic System

Magnetic System



BJ-MN-CCDQ-015 8W

IP20	
Power	8W
CCT	3000K 4000K 6000K
CRI	>85
Input voltage	24V/48V
Beam Angel	120°
Color	Black/White
Efficiency	60-70lm/w



BJ-MN-CCCB-10 10W

IP20	
Power	8W
CCT	3000K 4000K 6000K
CRI	>85
Input voltage	24V/48V
Beam Angel	120°
Color	Black/White
Efficiency	75-80lm/w



BJ-Bedside lamp



BJ-Ultraviolet sterilizing lamp



BJ-Alarming apparatus



BJ-Camera



BJ-Control monitor



BJ-USB &clock



BJ-Bluetooth audio

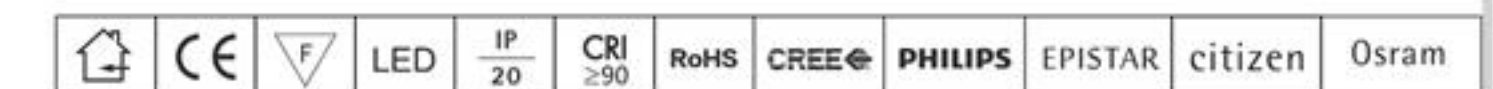
DALIX 027

DALIX 028



DALI Available

DALI Available

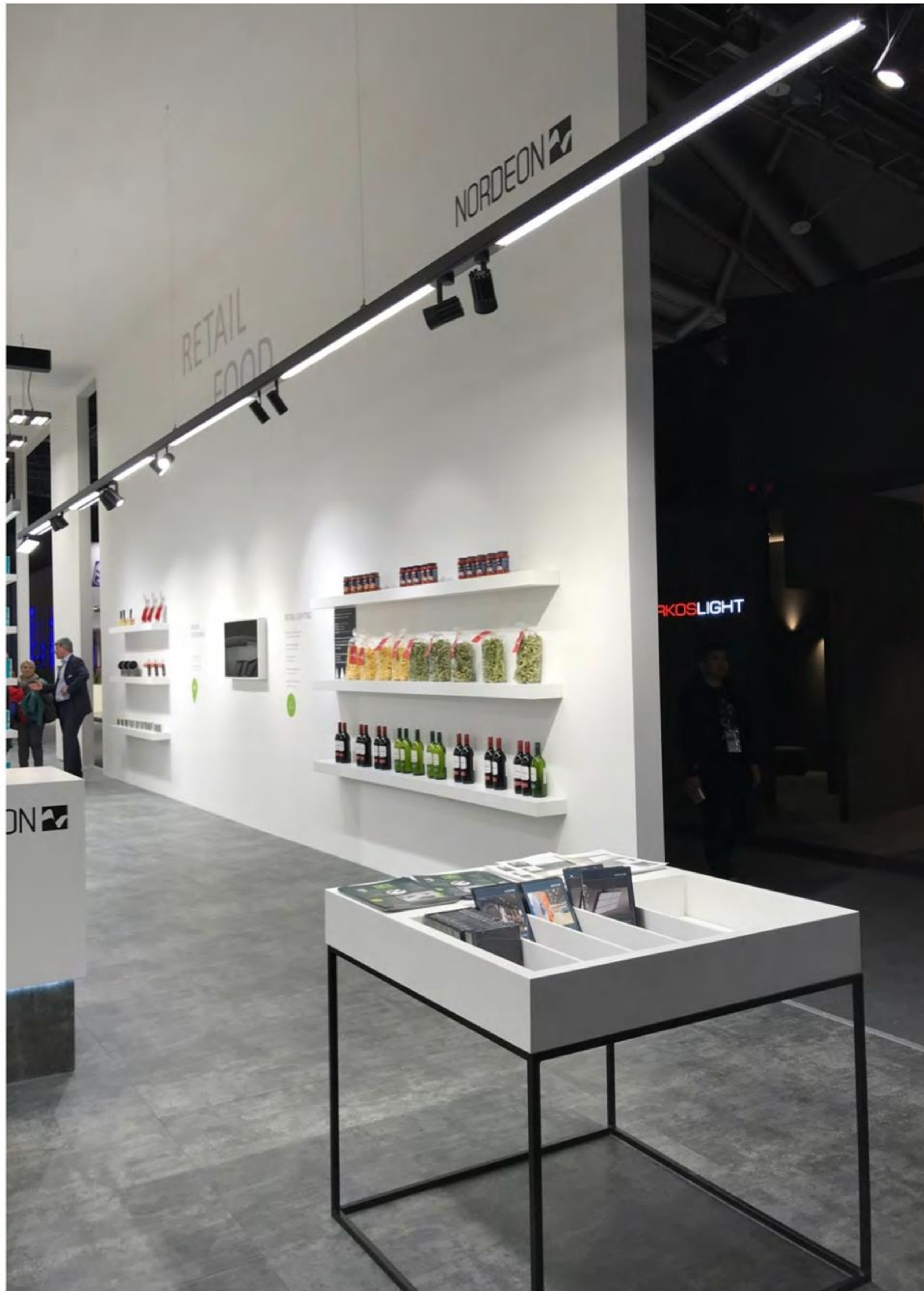


MINI system >>>>>

MINI system >>>>> Installation

Magnetic System

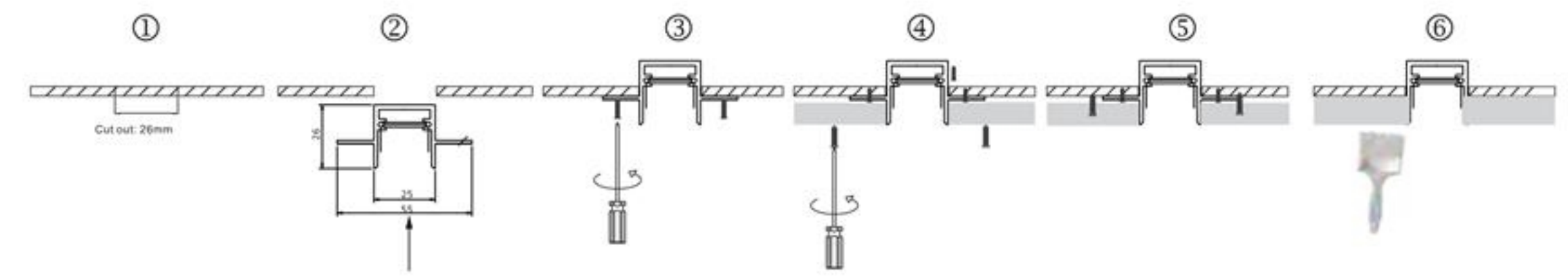
Magnetic System



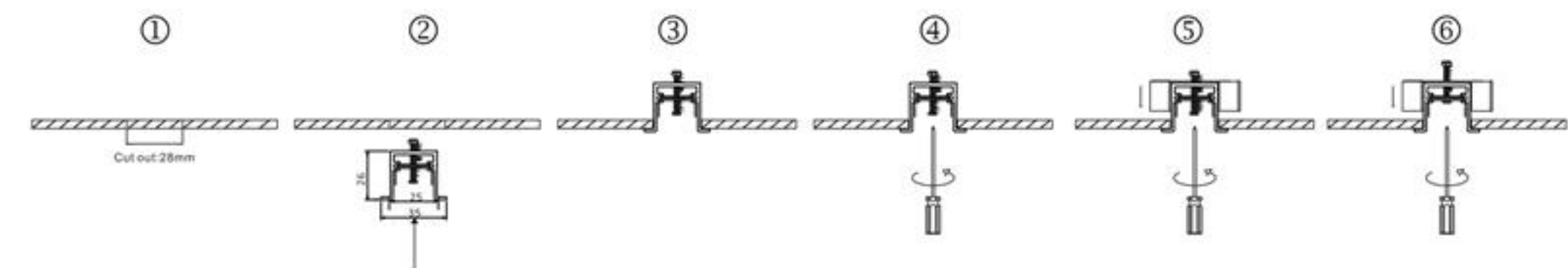
DAILUX 029

DAILUX 030

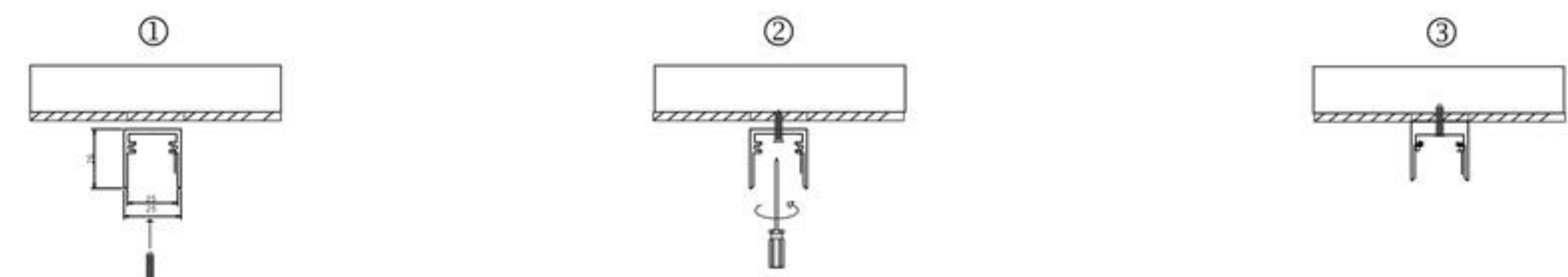
Recessed track(trimless)



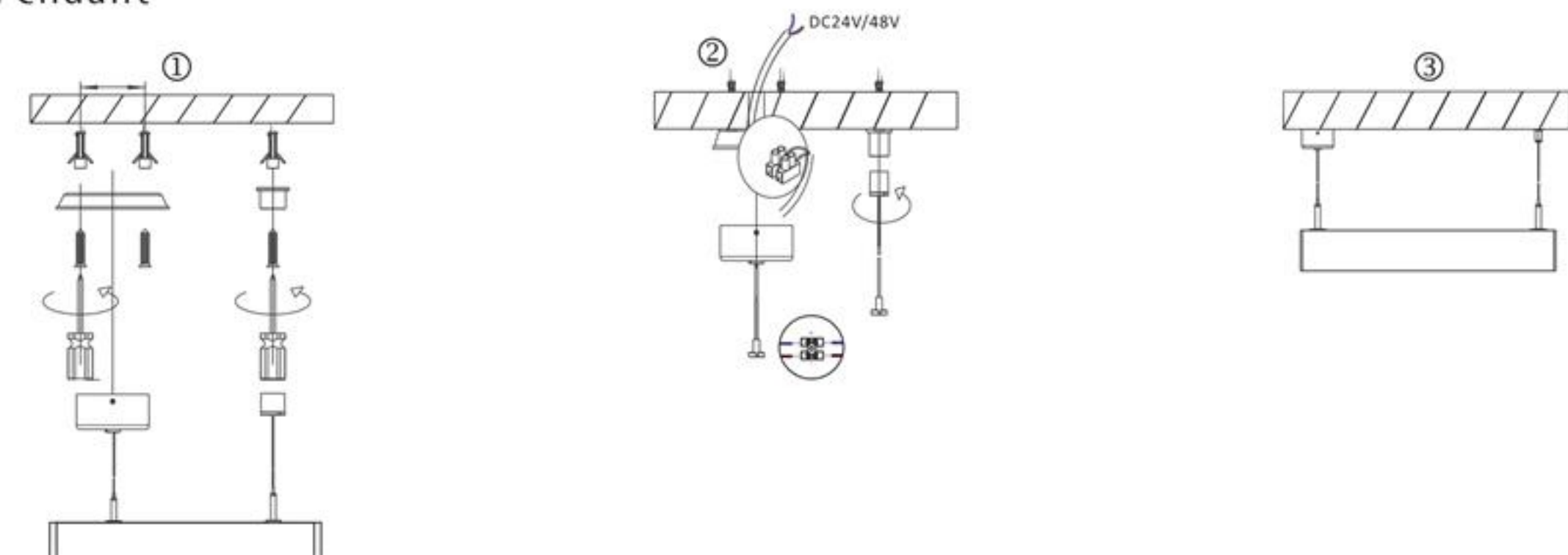
Recessed track



Surface mounted track



Pendant



MINI system >>>>>

MINI system >>>>>

MINI system



THE LV TRACK SYSTEM THAT CAN MOVE AROUND AND BE FREE COMBINATION, DEMOLITION.



BJ-BT3550/3W
BJ-BT3562/5W

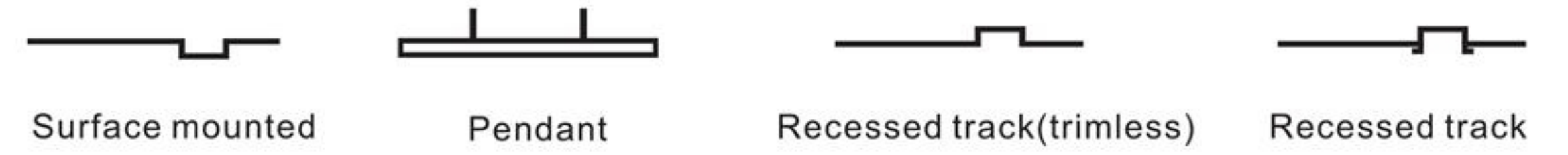
BJ-MSD03-07/7W
BJ-MSD03-12/12W
BJ-MSD03-15/15W
BJ-MSD03-18/18W
BJ-MSD03-24/24W

Black diffuser
BJ-BC2216B-03/5.5W
BJ-BC2216B-06/11W
BJ-BC2216B-09/16.5W

BJ-BCT100/2W



Dis play case

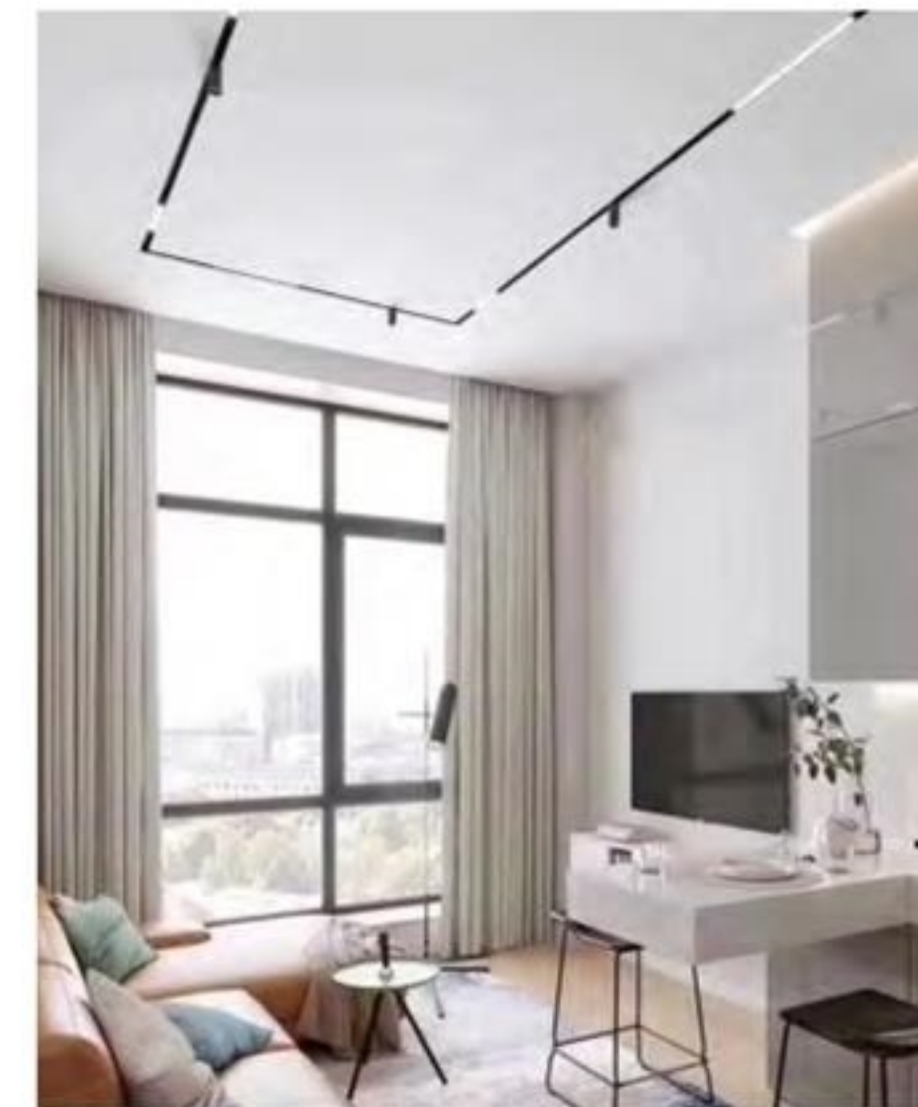


BJ-CTMGD09

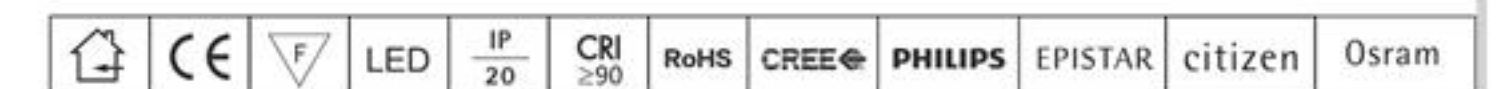
BJ-CTMGD01

BJ-CTMGS12

BJ-CT-MXS07



Support 0-10v dimming, brightness, color temperature, single lamp control.



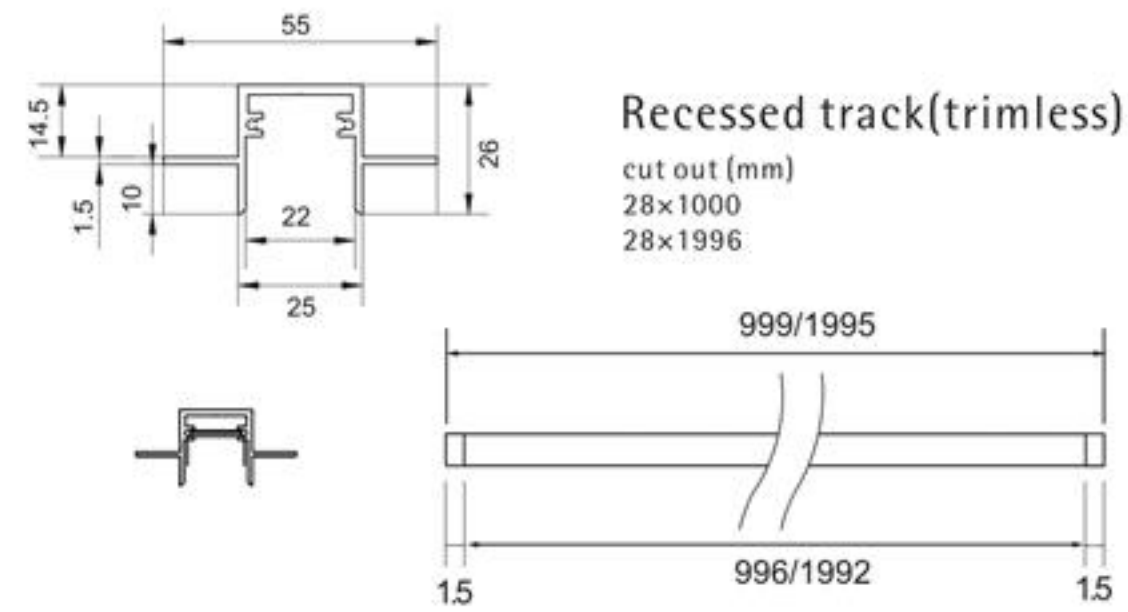
MINI system >>>>> Track

MINI system >>>>> Track

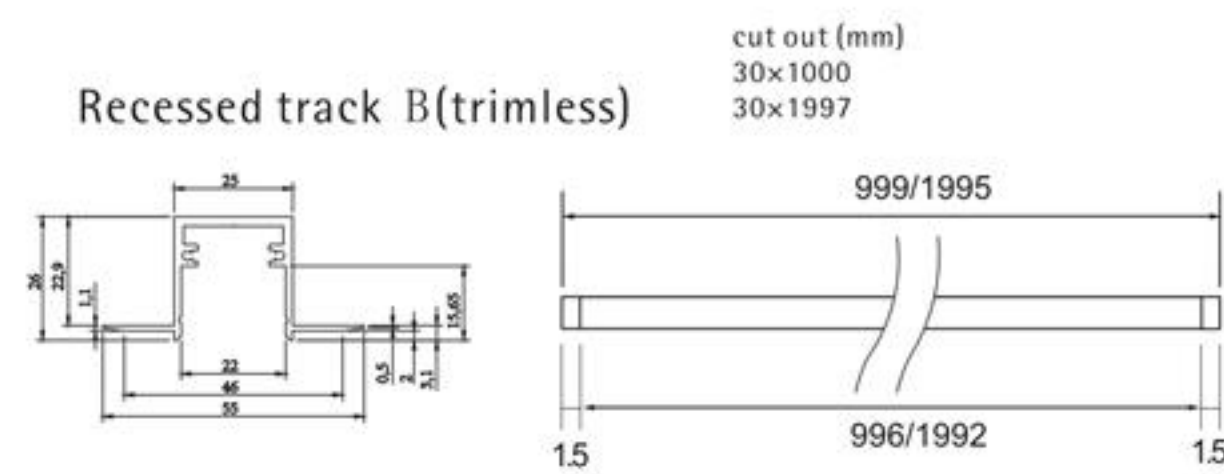
Magnetic System

Magnetic System

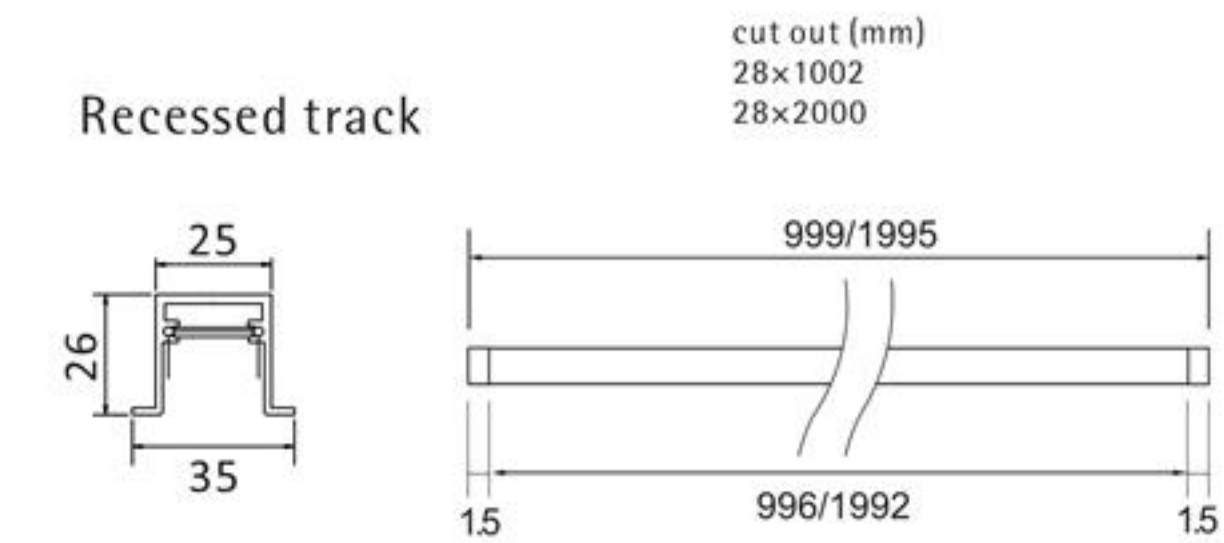
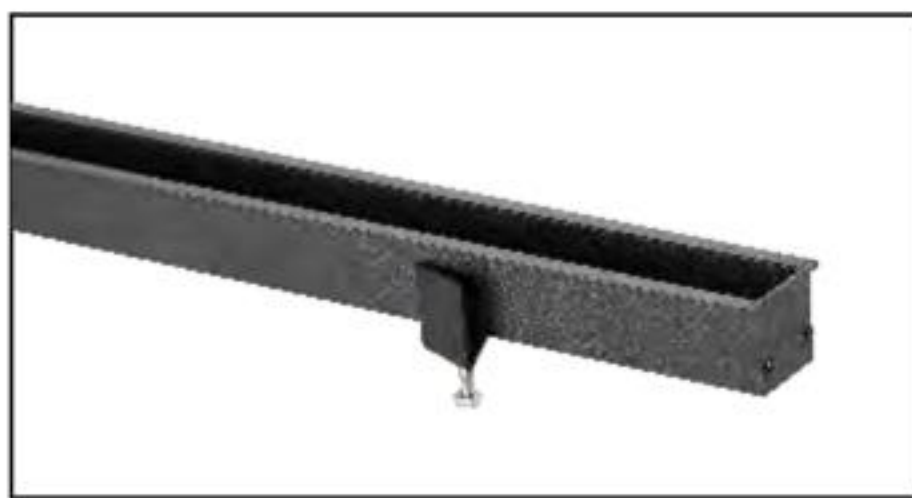
BJ-CTMNWB1000



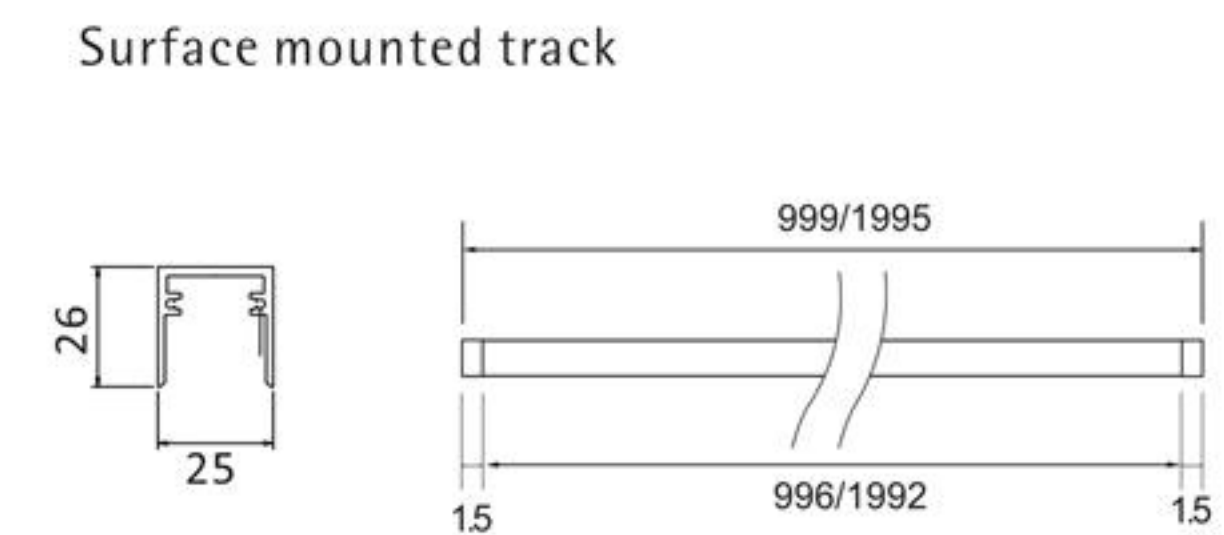
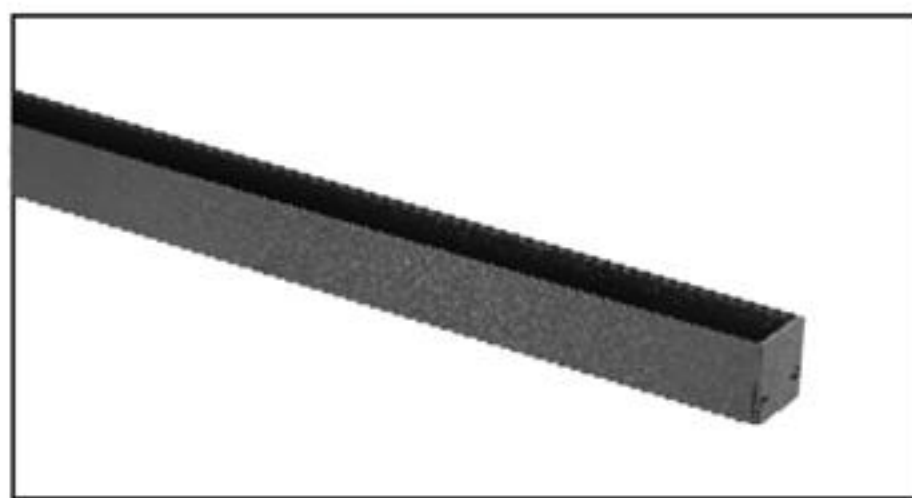
BJ-CTMNWB1000B



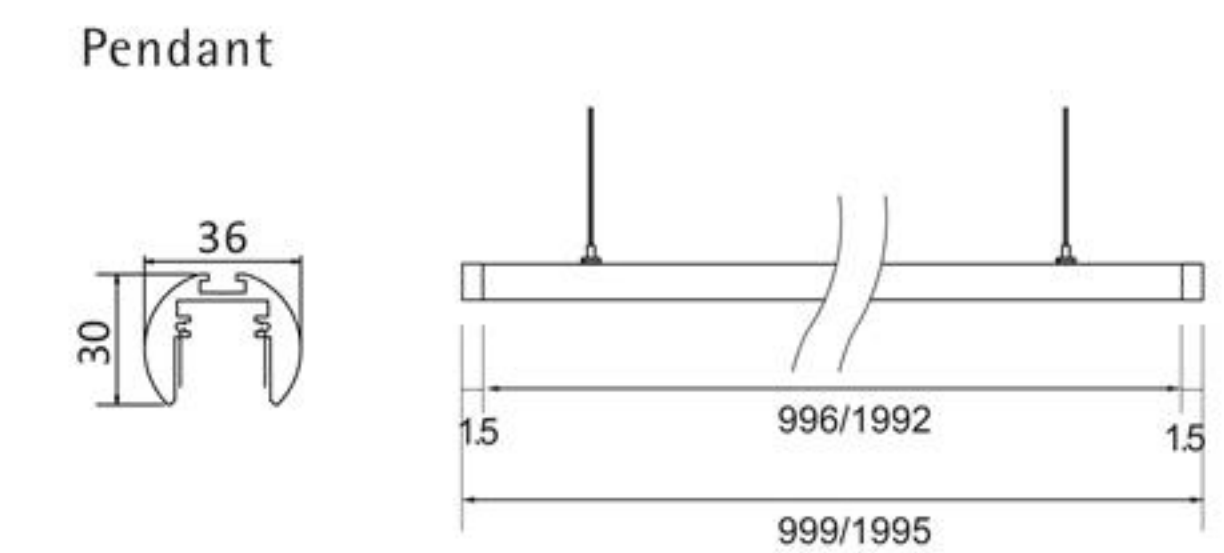
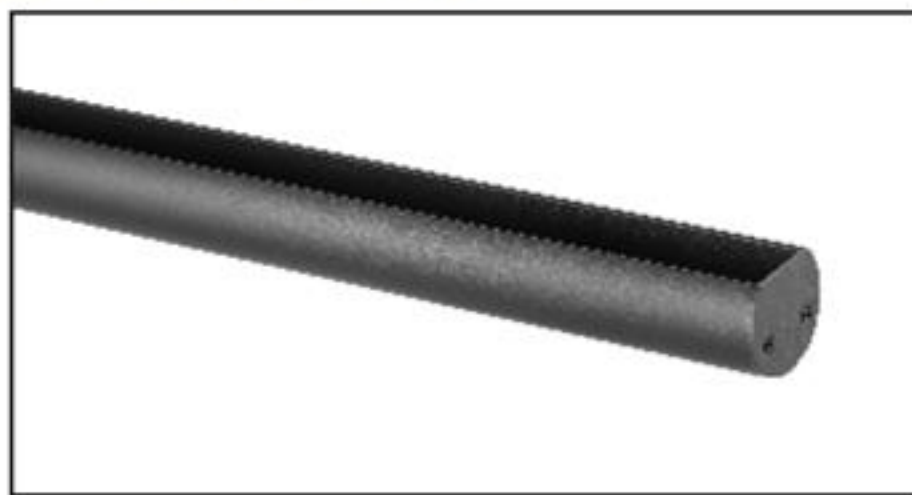
BJ-CTMNZB1000



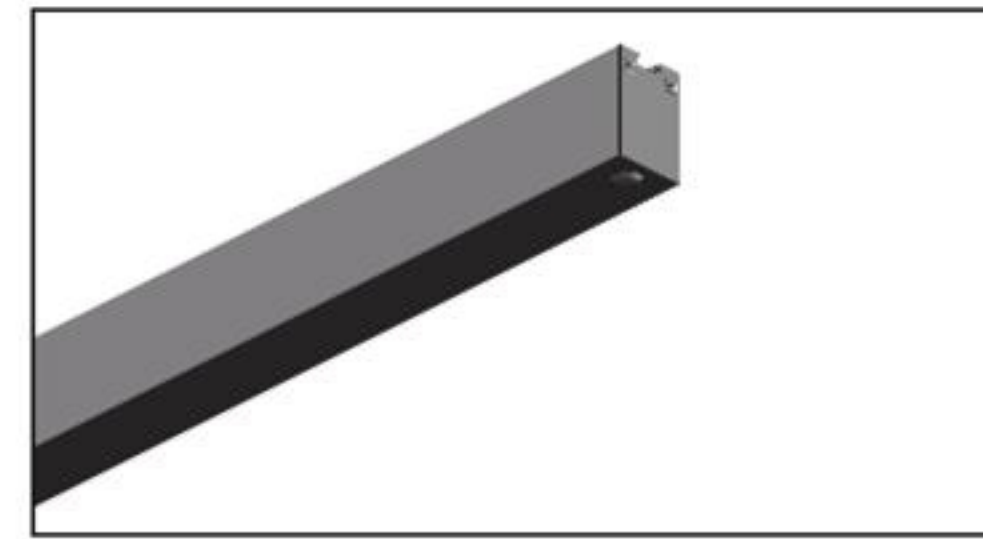
BJ-CTMNMZ1000A



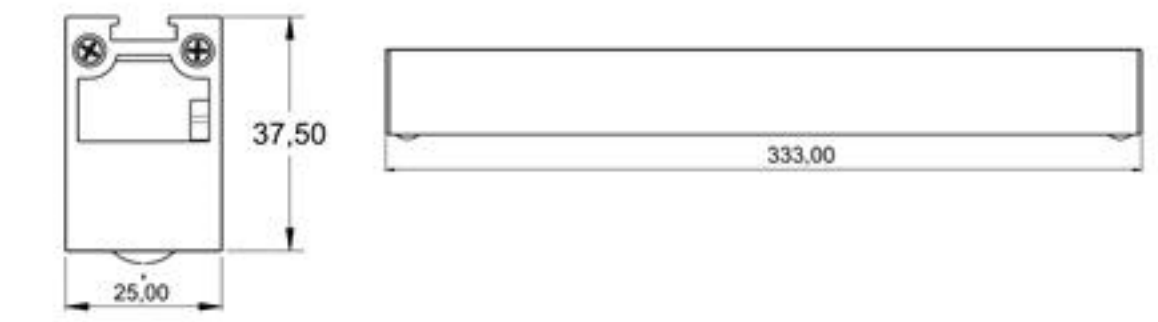
BJ-CTMNDZ1000



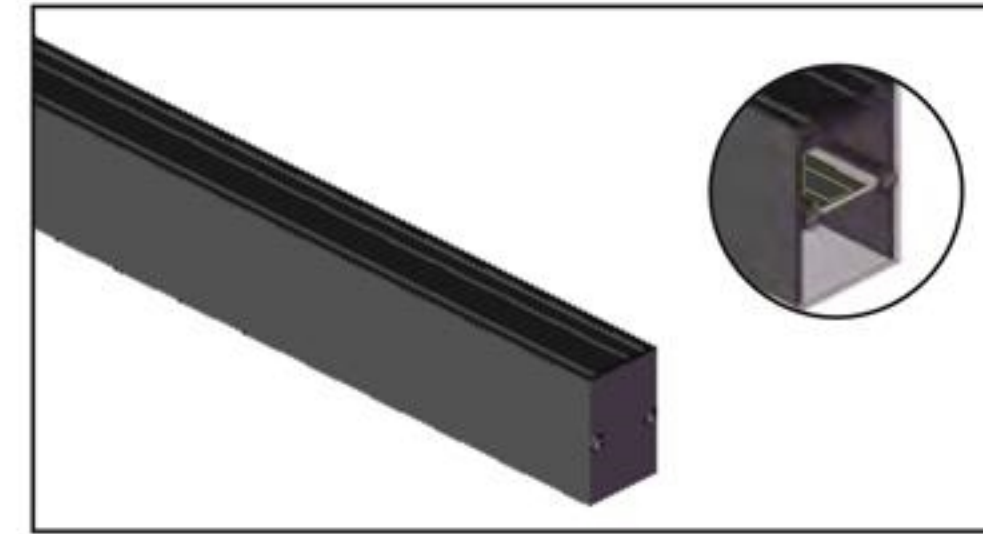
BJ-CTMNMZ1000B



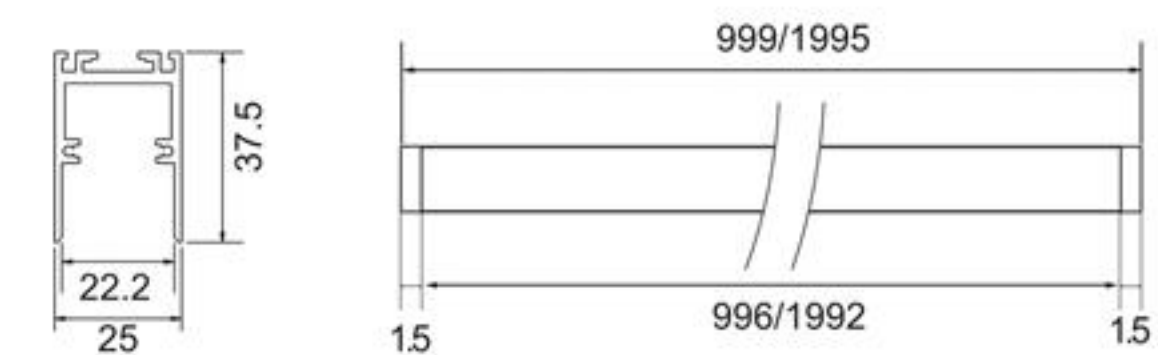
Input :AC:200-240V
Output:DC48V 100W



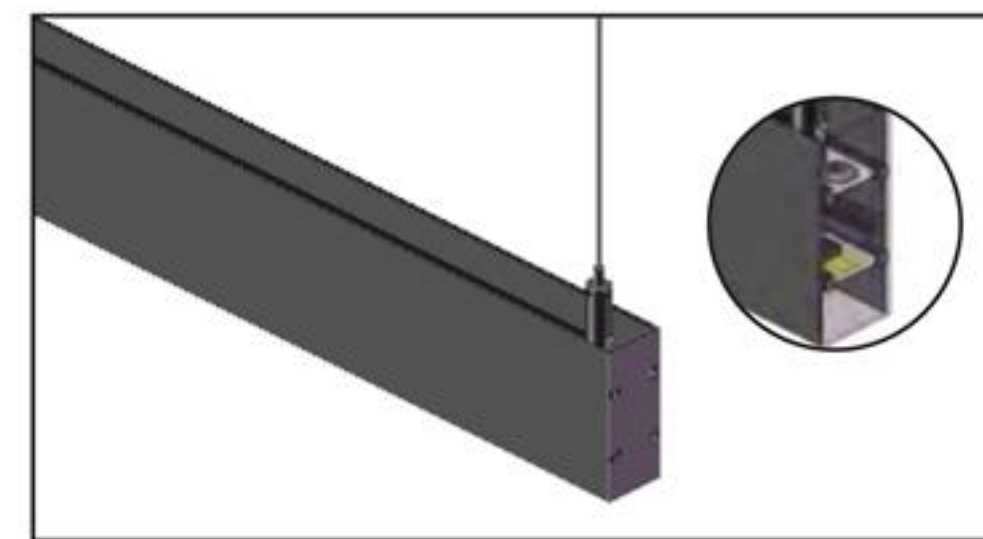
BJ-CTMNMZ1000B



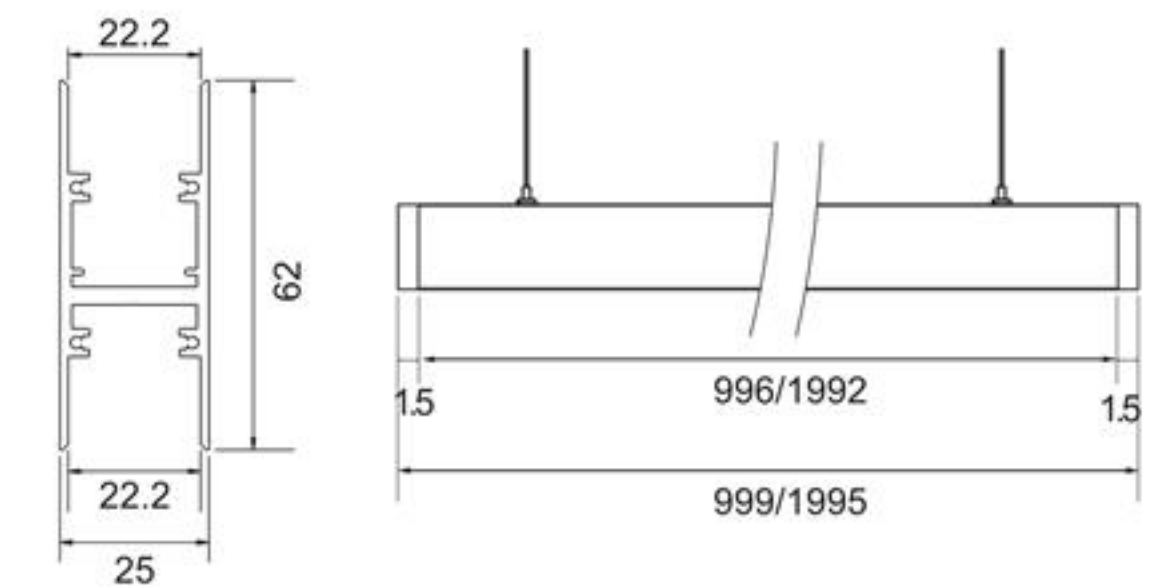
Surface mounted track



BJ-CTMNDZS1000



Pendant Up and Down



Track Connector Module



= 180°
= Connection Module



T90°
T Connection Module



L90°
L Connection Module



L90° N
IN 7 Connection Module



L90° W
7 Connection Module

DAILUX
033

DAILUX
034

MINI system >>>>>

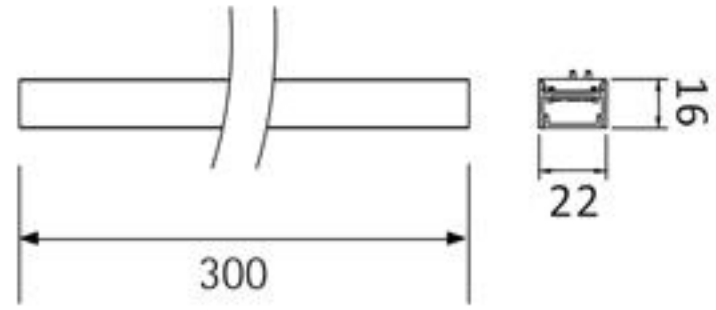
MINI system >>>>>

Magnetic System

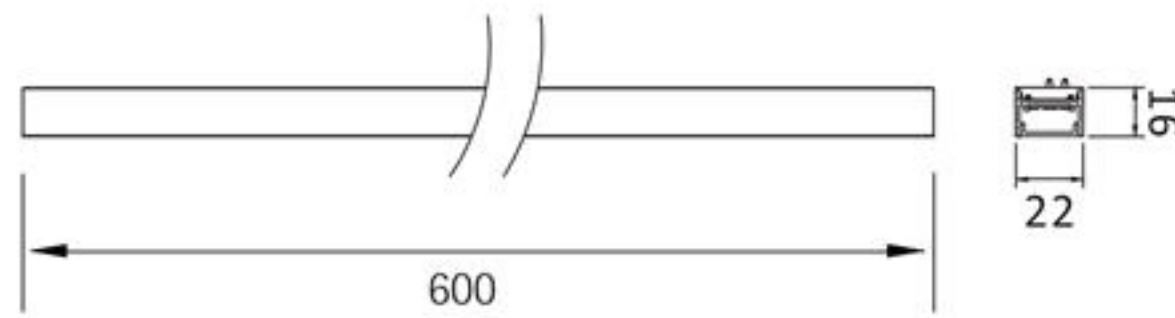
Magnetic System



BJ-BC2216-03/5.5W



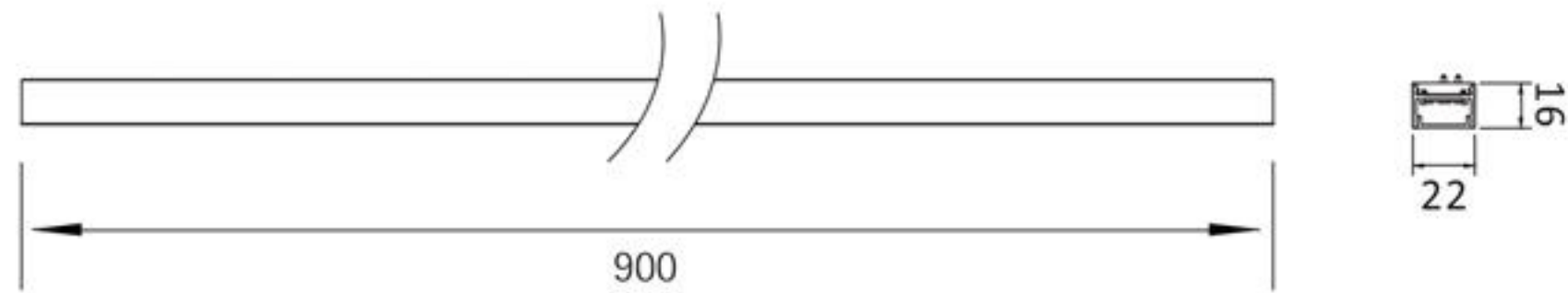
BJ-BC2216-06/11W



Black diffuser



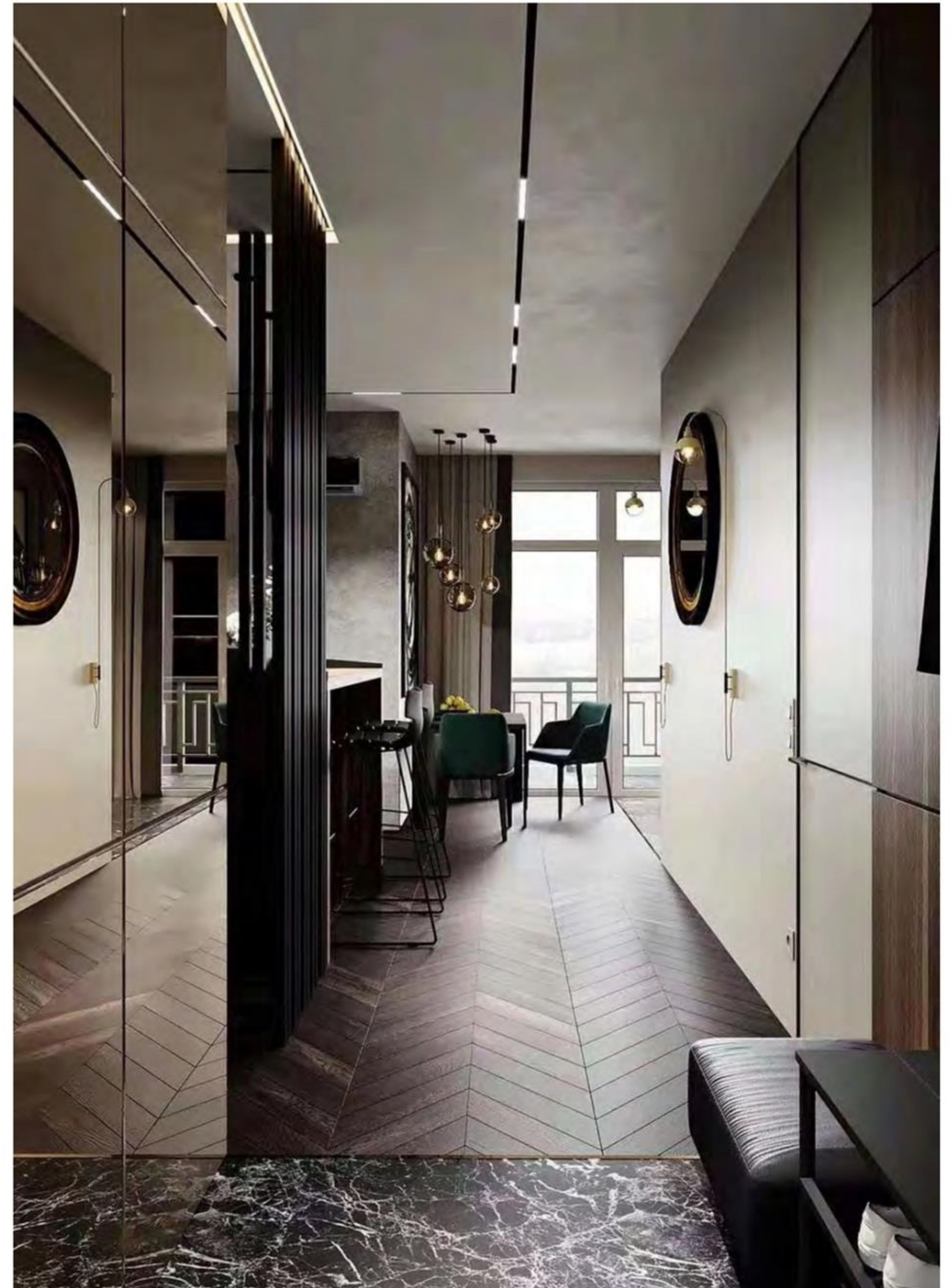
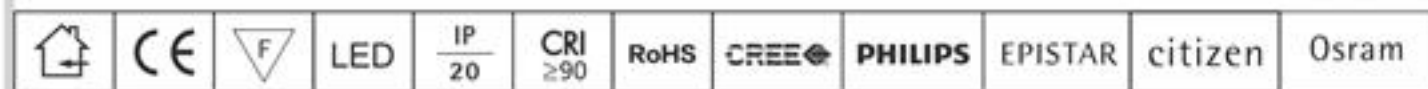
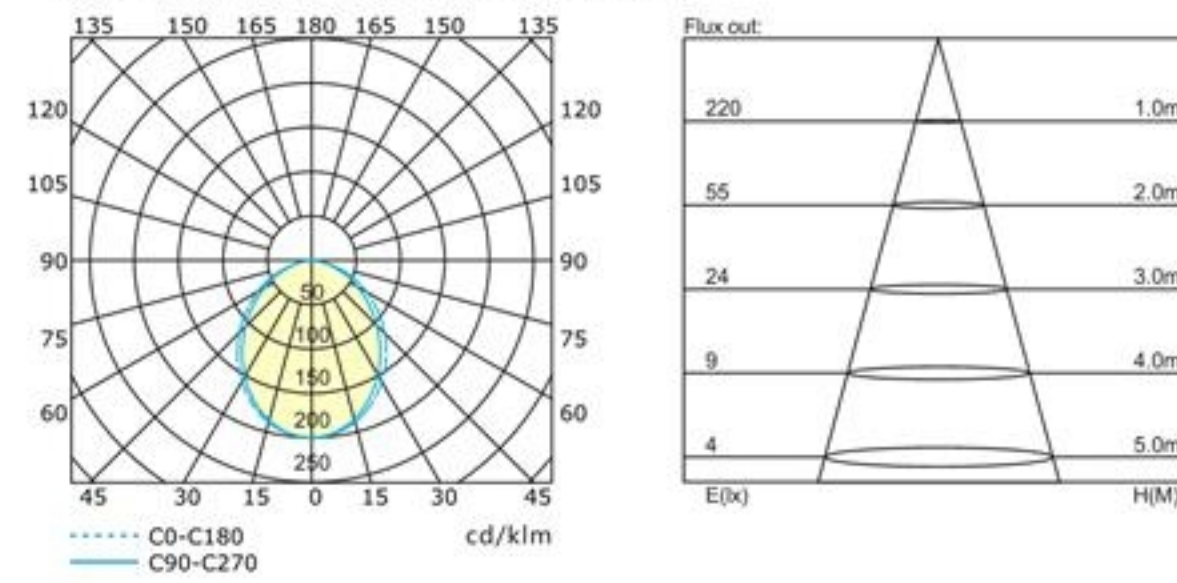
BJ-BC2216-09/16.5W



BJ-BC2216

IP20	
Power	5.5W/11W/16.5W
CCT	3000K 4000K 6000K
CRI	>85
Input voltage	48V
Beam Angel	100°
Color	Black/White
Size(mm)	5.5W: 22*16*300mm
(W*H*L)	11W: 22*16*600mm
	16.5W: 22*16*900mm
Efficiency	70-80lm/w

Photometric Diagram/配光曲线



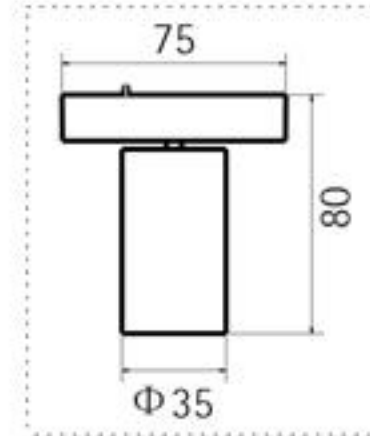
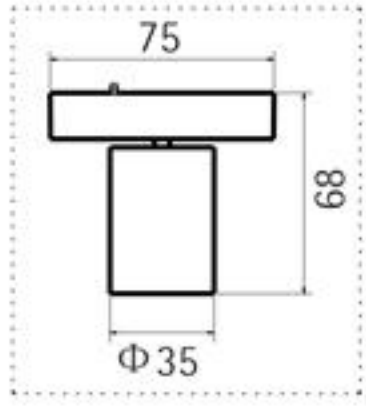
DAILUX 036

MINI system >>>>>

MINI system >>>>>

Magnetic System

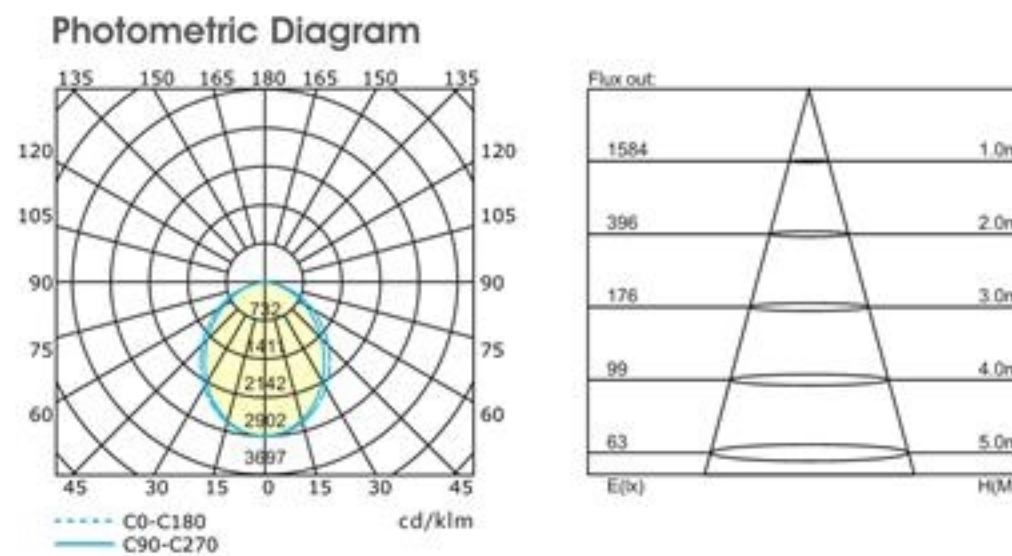
Magnetic System



BJ-BT3550/3W

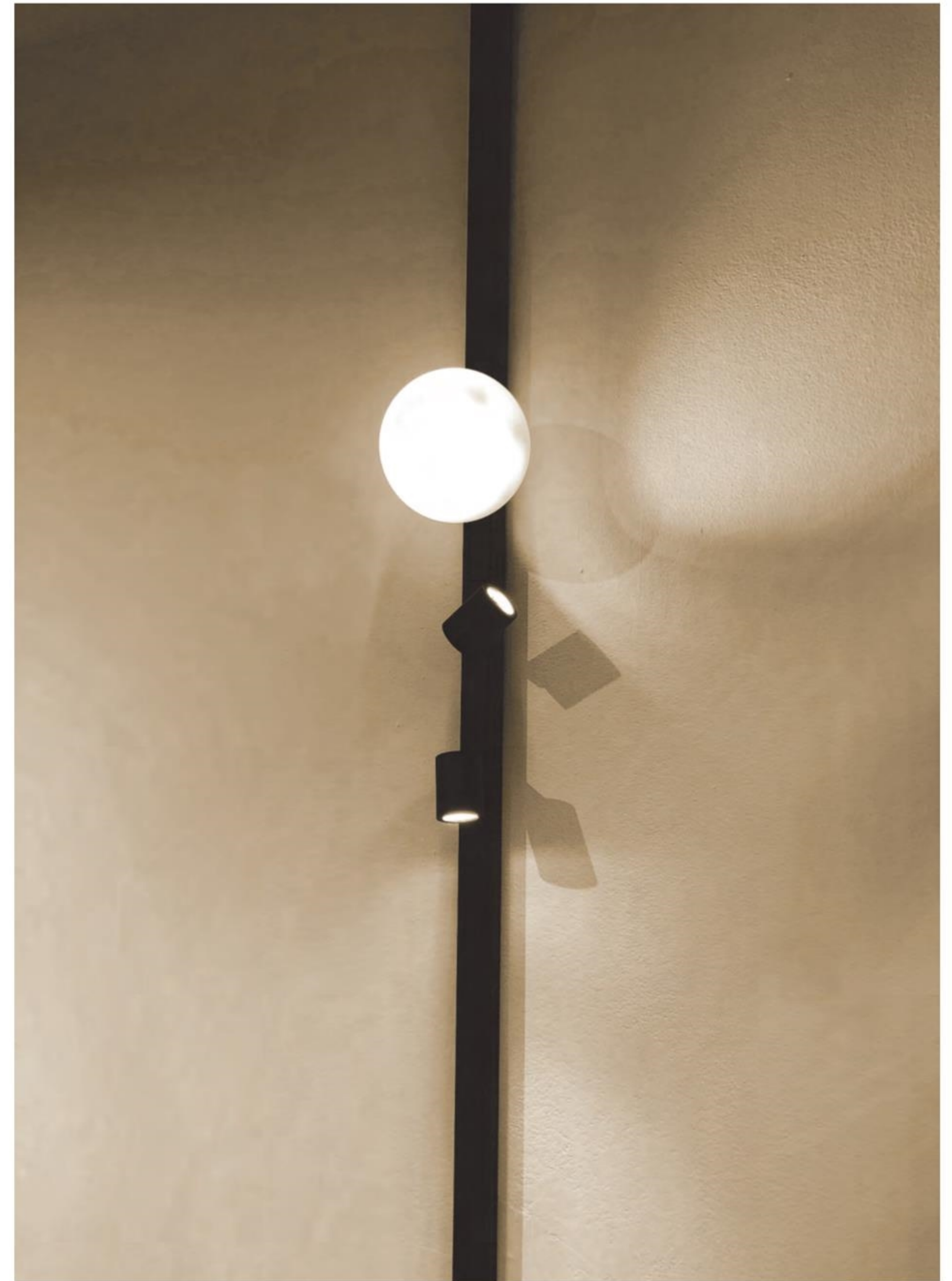
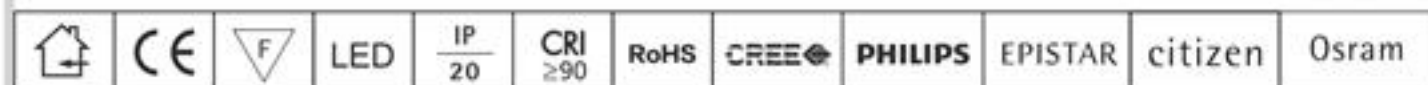
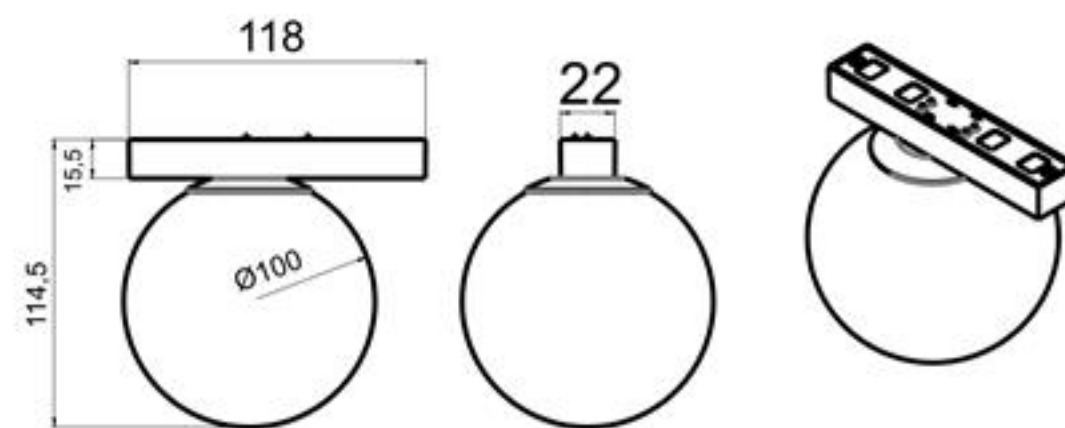
BJ-BT3562/5W

- IP20
 CCT 3000K 4000K 6000K
 CRI > 90
 Input voltage 48V
 Beam Angel 20° customize 20° 25°
 Color Black/White
 Size(mm) 3W: Φ35*68*75mm
 (W*H*L) 5W: Φ35*80*75mm
 Efficiency 60-70lm/w



BJ-BCT100/2W

- IP20
 CCT 3000K 4000K 5000K
 CRI > 90
 Input voltage 48V
 Beam Angel 20° customize 20° 25°
 Color Black/White
 Size(mm)(W*H*L) 118*22*114.5mm
 Efficiency 60-70lm/w



DAILUX 038

MINI system >>>>>

MINI system >>>>>

Magnetic System

Magnetic System



DAILUX
039

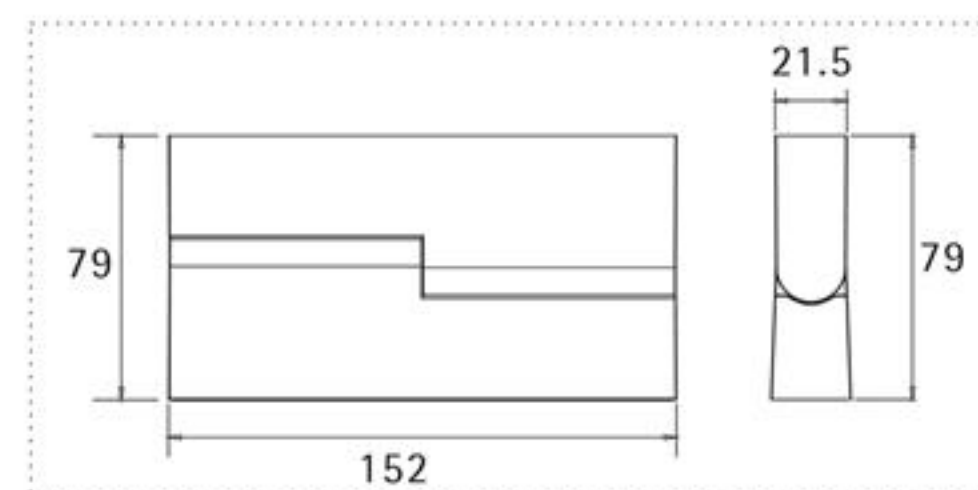
DAILUX
040



BJ-CTMGD01

IP20

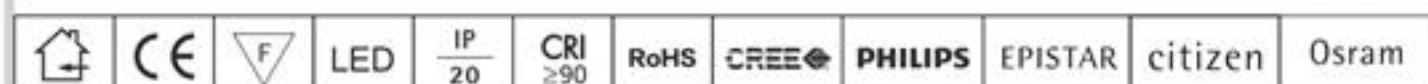
Power	6W
CCT	3000K 4000K 6000K
CRI	> 85
Input voltage	48V
Beam Angel	110°
Color	Black/White
Size(mm) (W*H*L)	21.5*79*152mm
Efficiency	75-80lm/w



BJ-CTMGD09

IP20

Power	6W
CCT	3000K 4000K 6000K
CRI	> 85
Input voltage	48V
Beam Angel	25° 30° 60°
Color	Black/White
Size(mm) (W*H*L)	21.5*79*152mm
Efficiency	75-80lm/w



MINI system >>>>>

MINI system >>>>>

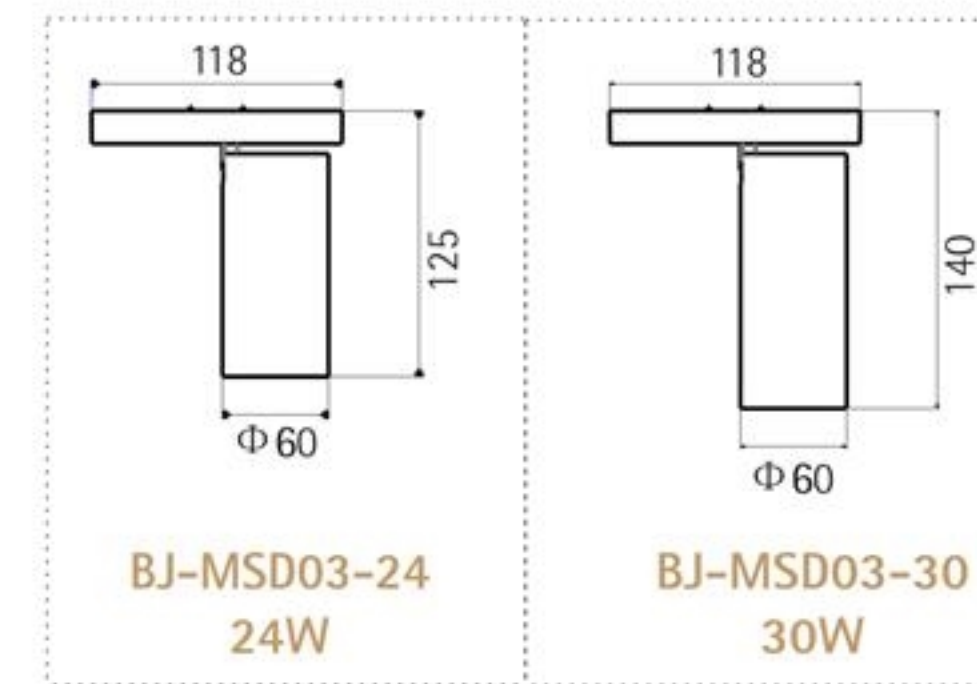
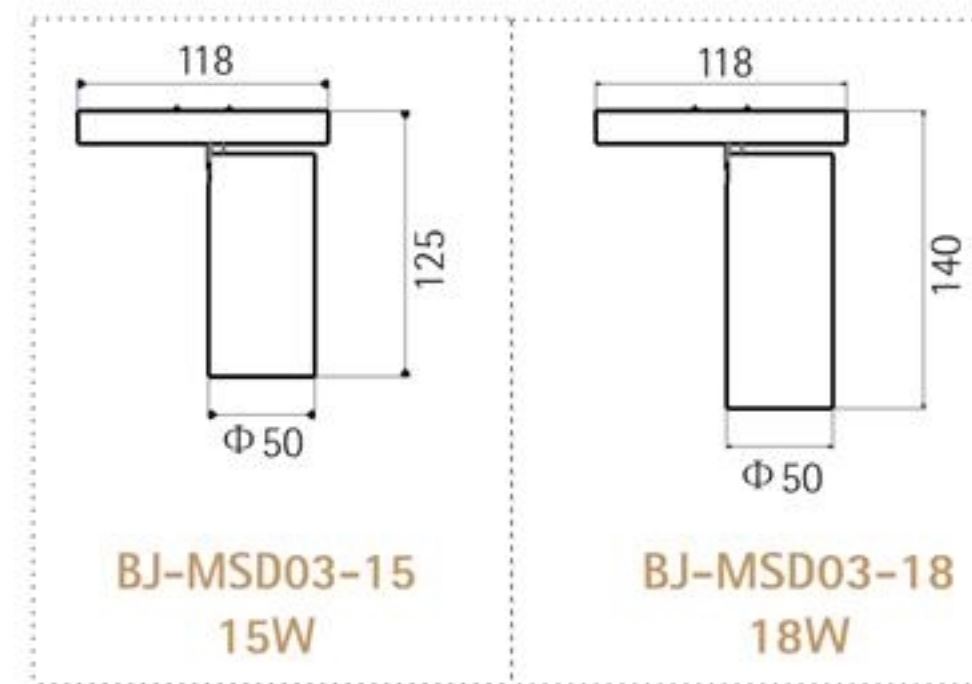
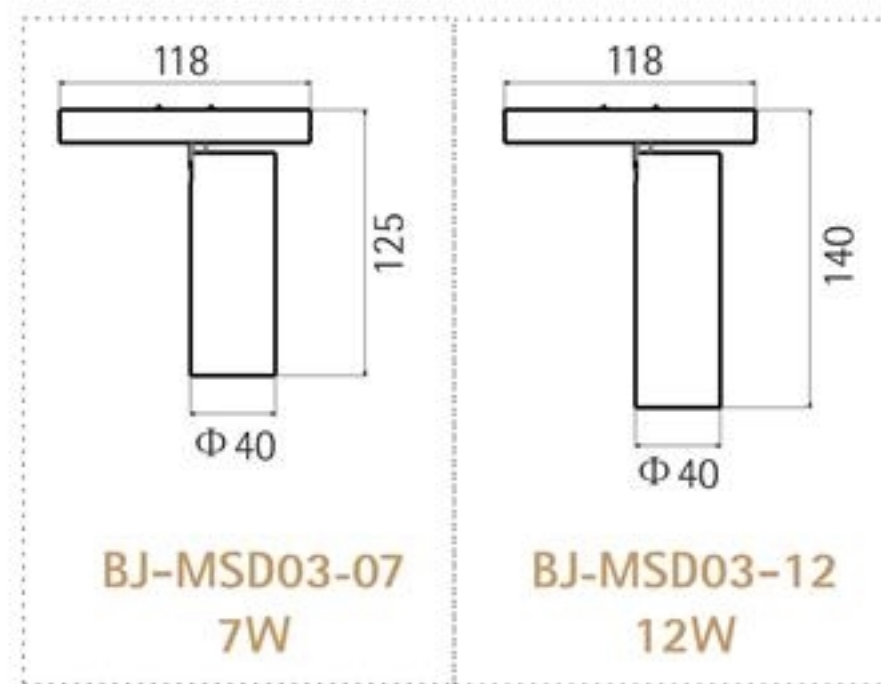
Magnetic System

Magnetic System



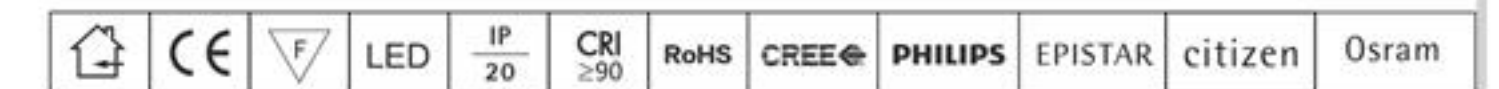
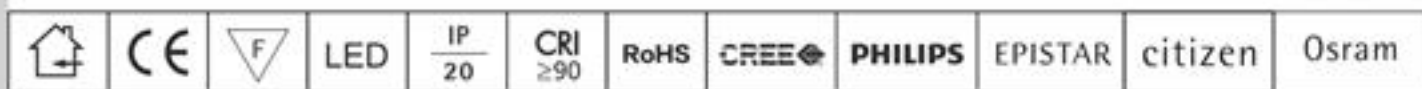
DAILUX
041

DAILUX
042



BJ-MSD03

IP20	
Power	7W/12W/15W/18W/24W/30W
CCT	3000K 4000K 6000K
CRI	>90
Input voltage	48V
Beam Angel	20° customize 15° 24° 35° 60°
Color	Black/White
Efficiency	75-80lm/w



MINI system >>>>>

MINI system >>>>>

Magnetic System

Magnetic System



DAILUX
043

DAILUX
044



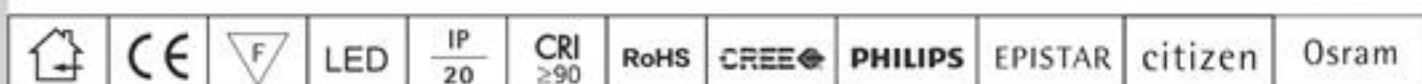
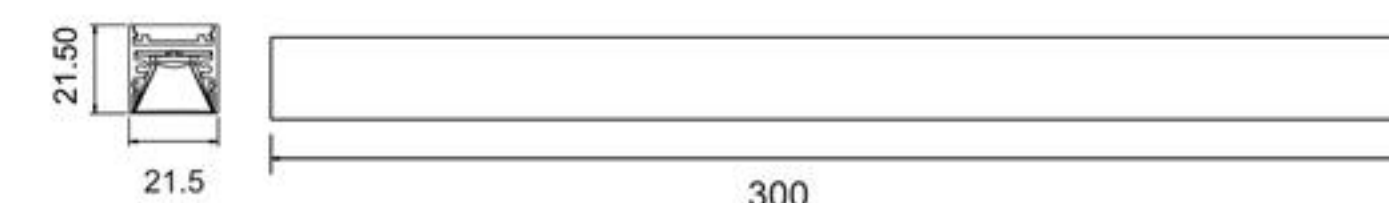
BJ-CT-MXS07

IP20	
Power	7W
CCT	3000K 4000K 6000K
CRI	> 85
Input voltage	48V
Beam Angel	LR25° P18° 30° 90° LR40° 60°110° 90°110°
Color	Black/White
Size(mm) (W*H*L)	21.5*17*297mm
Efficiency	70-80lm/w



BJ-CTMGS12

IP20	
Power	7W
CCT	3000K 4000K 6000K
CRI	> 85
Input voltage	48V
Beam Angel	25° 30° 60°
Color	Black/White
Size(mm) (W*H*L)	22*21.5*300mm
Efficiency	70-80lm/w



D series >>>>>

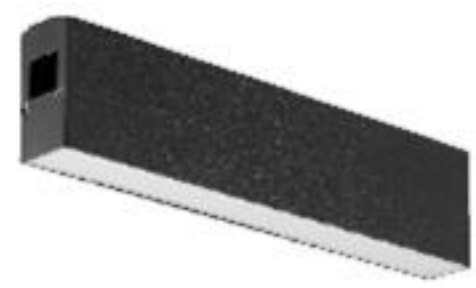
D series >>>>>

Magnetic System

Magnetic System

D series

THE LV TRACK SYSTEM THAT CAN MOVE AROUND AND BE FREE COMBINATION, DEMOLITION.



BJ-CT-JC03/10W
BJ-CT-JC06/20W
BJ-CT-JC09/30W



BJ-CT-SD501/5W
BJ-CT-SD101/10W
BJ-CT-SD1501/15W



BJ-BCX10/10W
BJ-BCX20/20W
BJ-BCX30/30W



BJ-CXD150/5W



Display case

DALI intelligent control Tuya available, mobile phone-specific APP can be used to adjust the brightness, color temperature and control specific light.

Surface mounted Pendant Recessed track(trimless) Recessed track



BJ-CCB01/10W



BJ-CCGS05/15W



BJ-CX3515/15W



BJ-CX4503/2W



BJ-CCP-05 20W



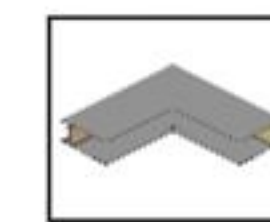
Track Connector Module



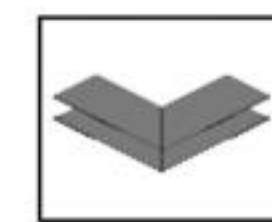
= 180°
= Connection Module



L90°
L Connection Module



L90° N
IN 7 Connection Module



L90° W
7 Connection Module

DALIX 046

DALI Available

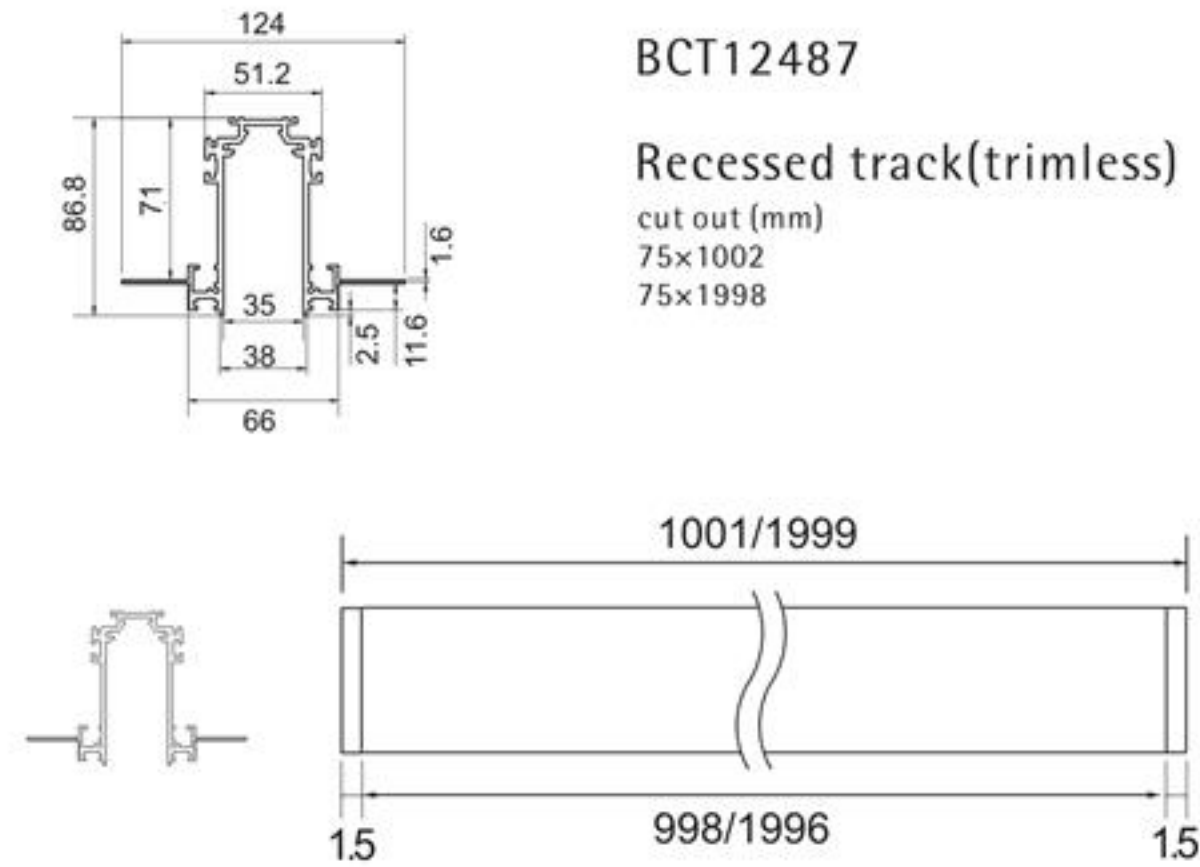
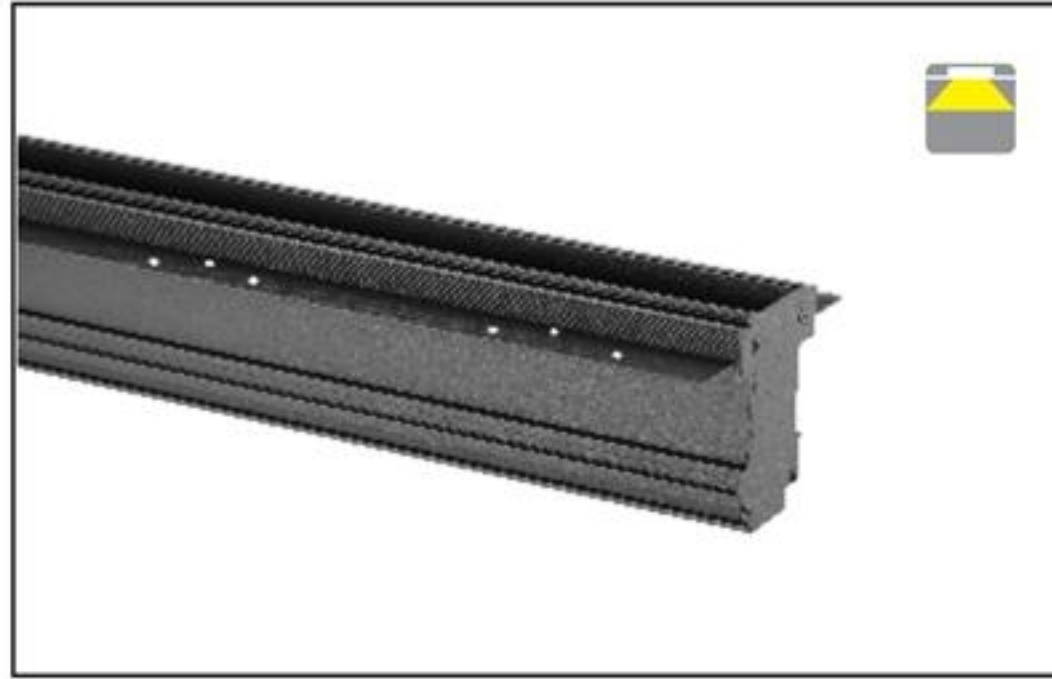
D series >>>> Track

D series >>>> Installation

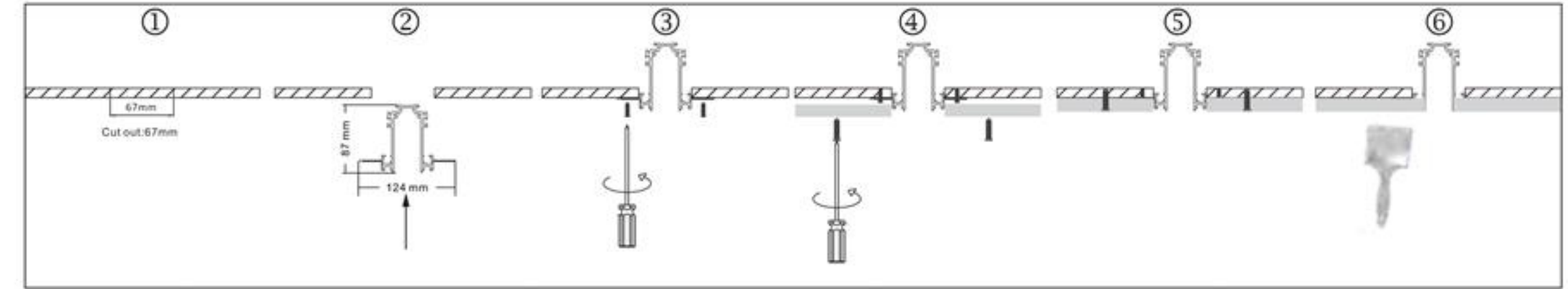
Magnetic System

Magnetic System

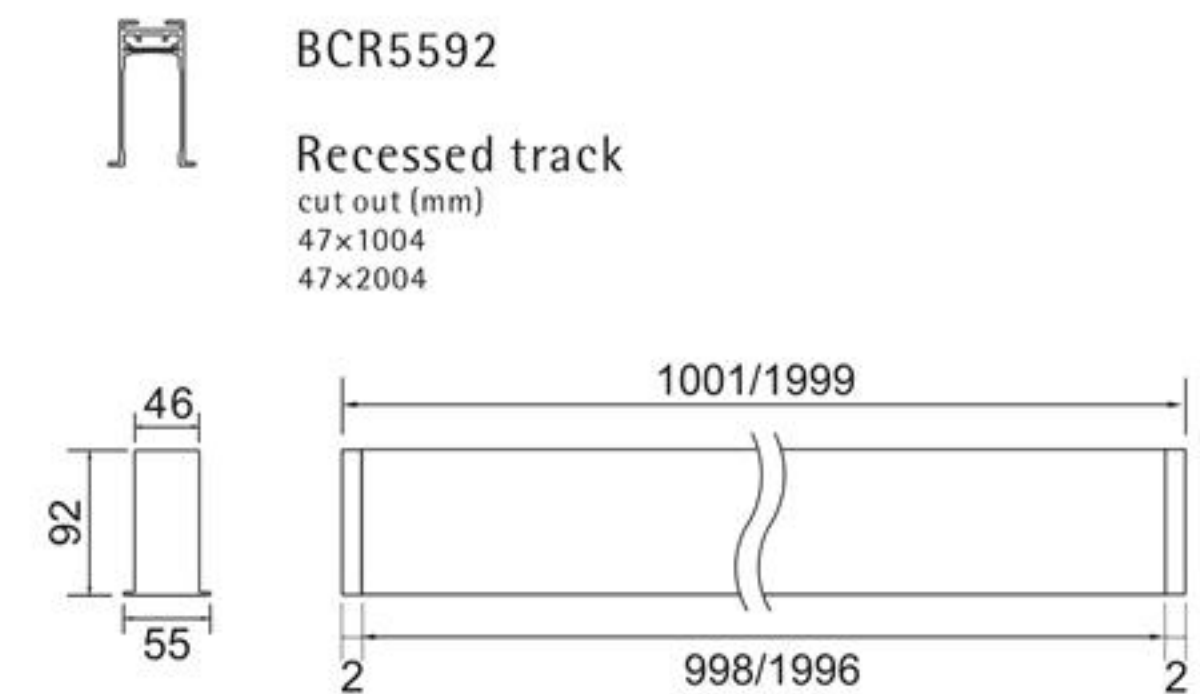
BCT12487



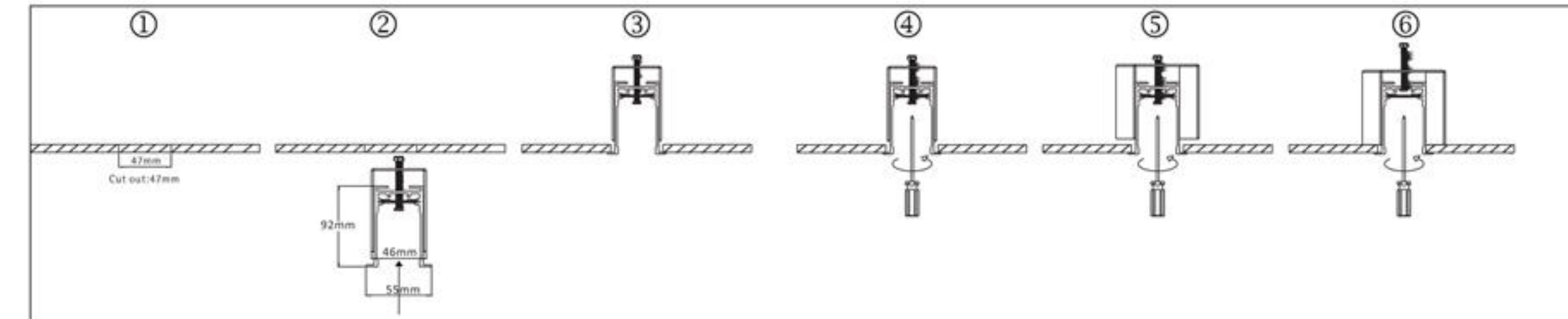
BCT12487
Recessed track(trimless)



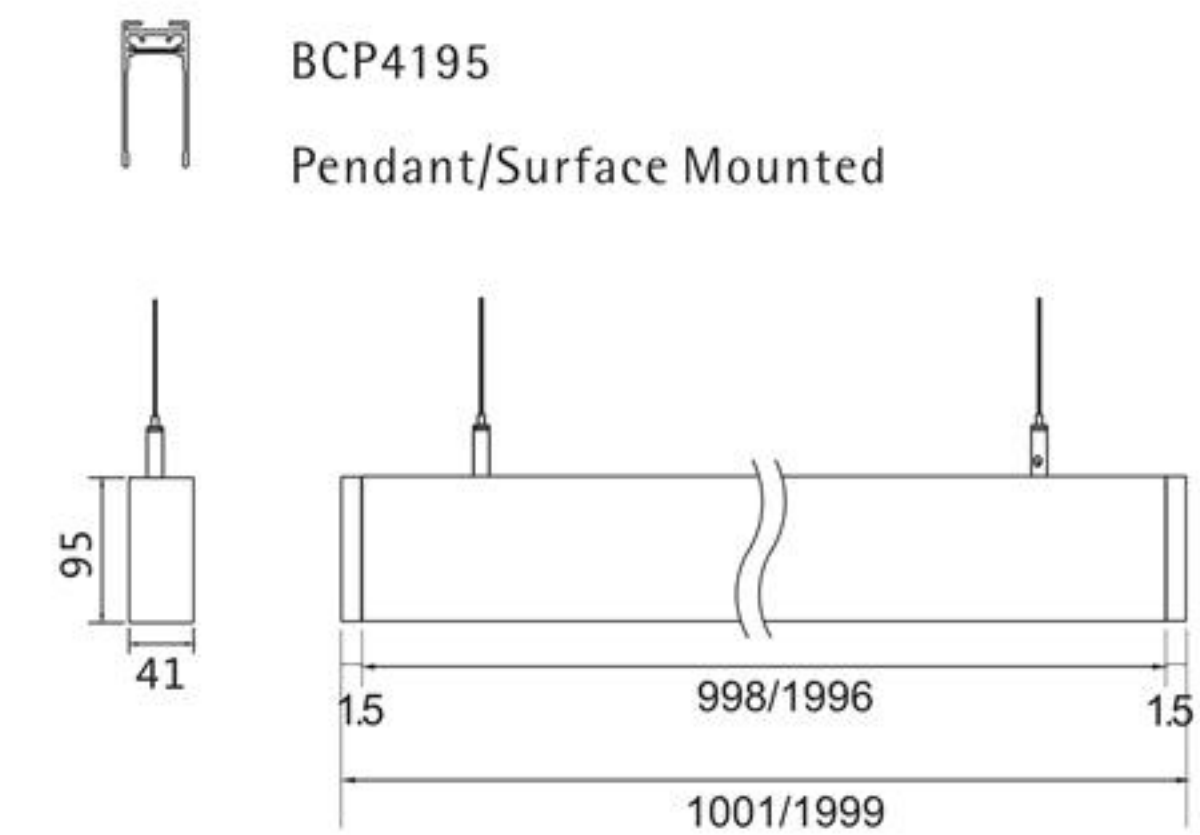
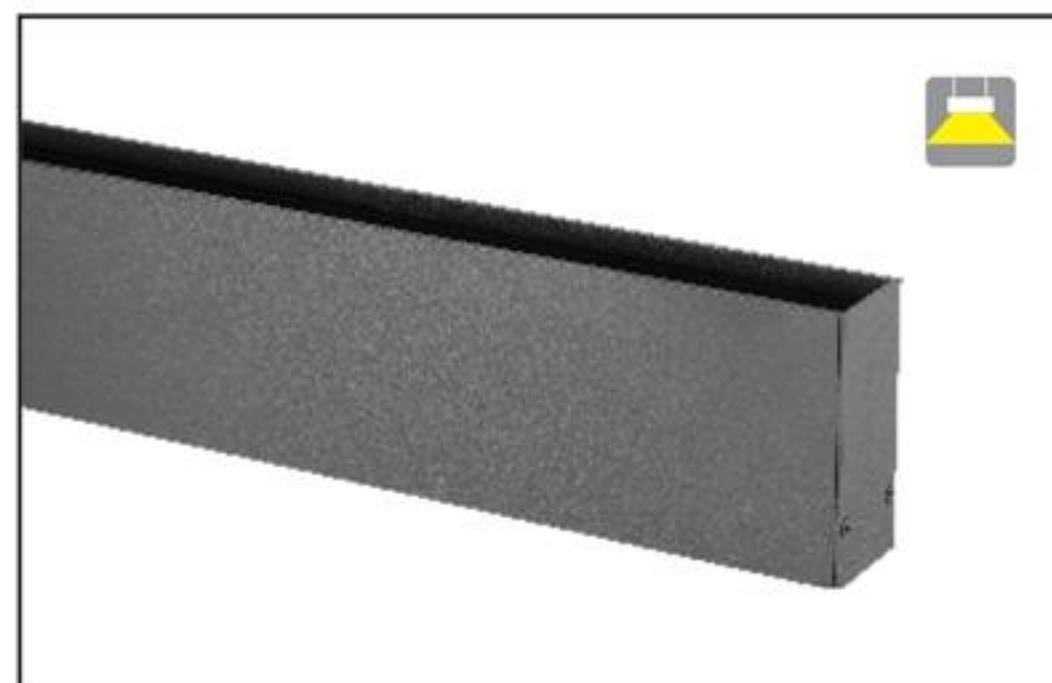
BCR5592



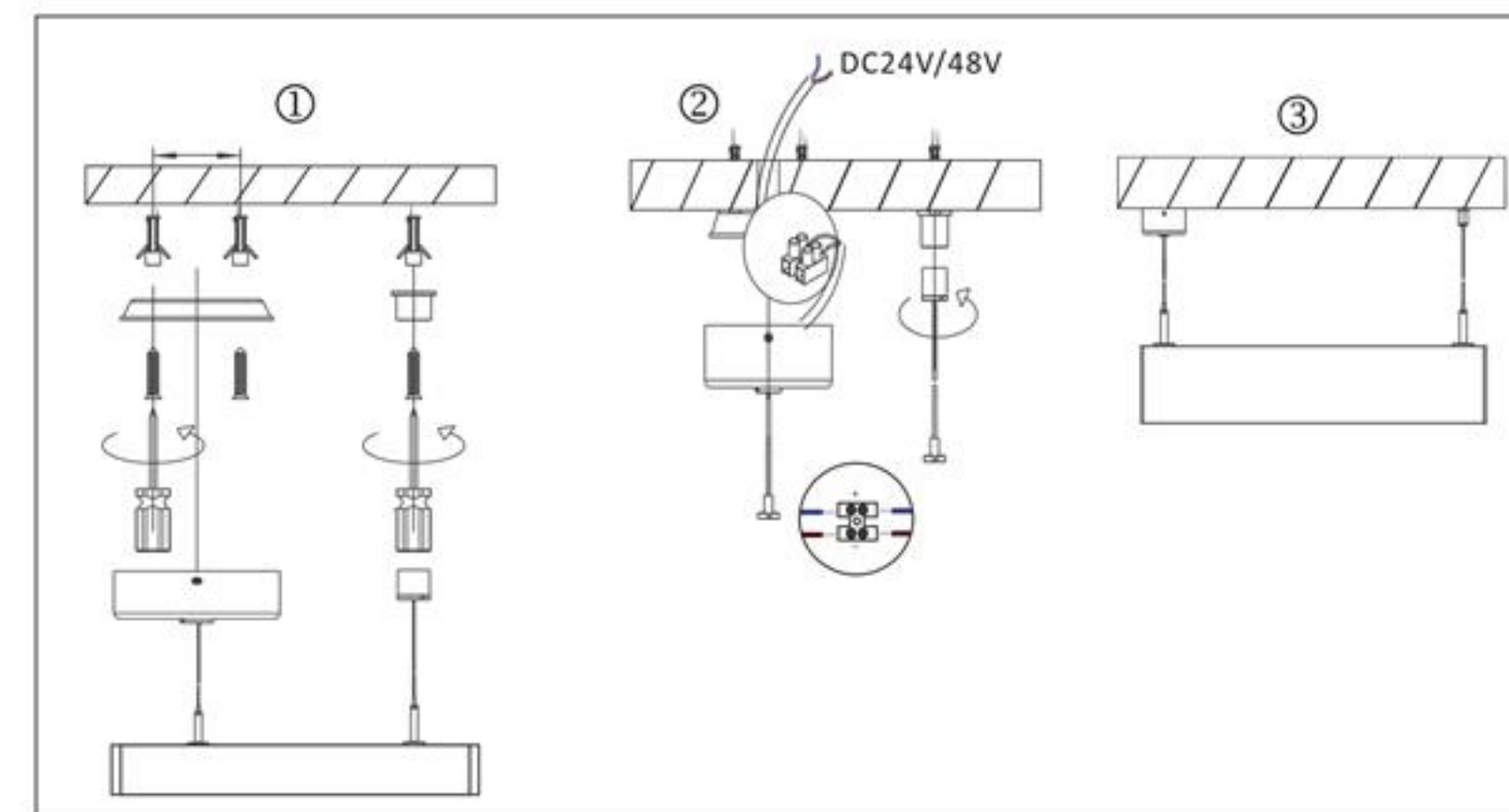
BCR5592
Recessed track



BCP4195



BCP4195
Pendant



DALIX
047

DALIX
048

DALI Available

DALI Available

D series >>>>>

D series >>>>>

Magnetic System

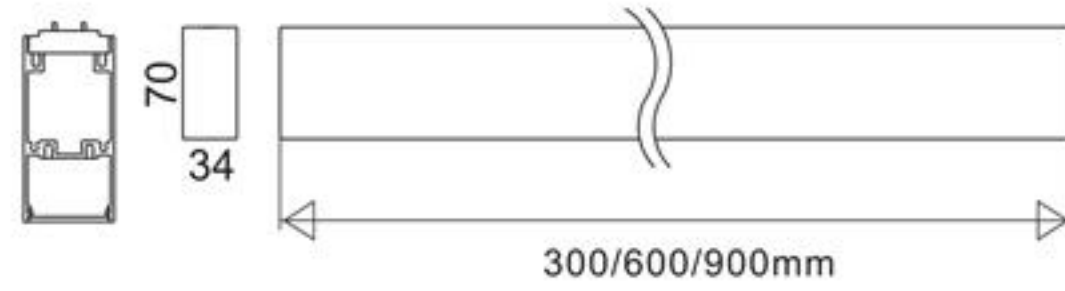
Magnetic System



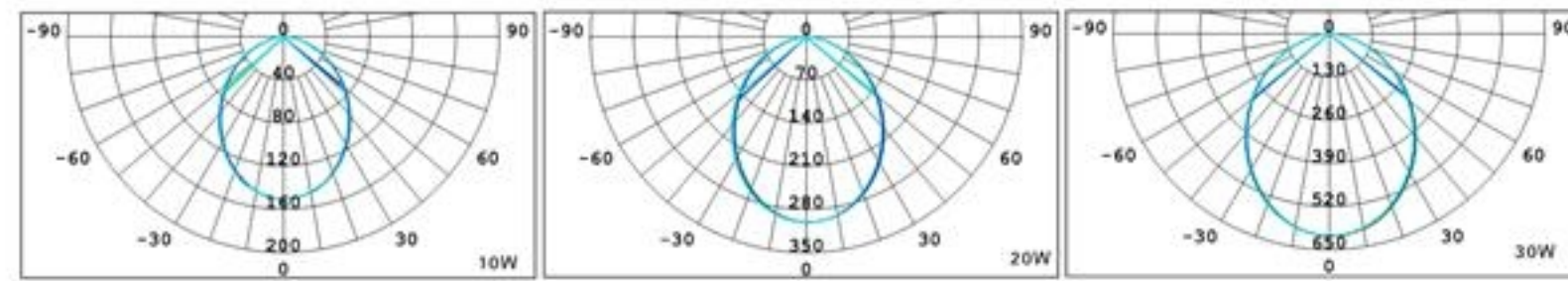
BJ-CT-JC03 10W
BJ-CT-JC06 20W
BJ-CT-JC09 30W

DAILUX
049

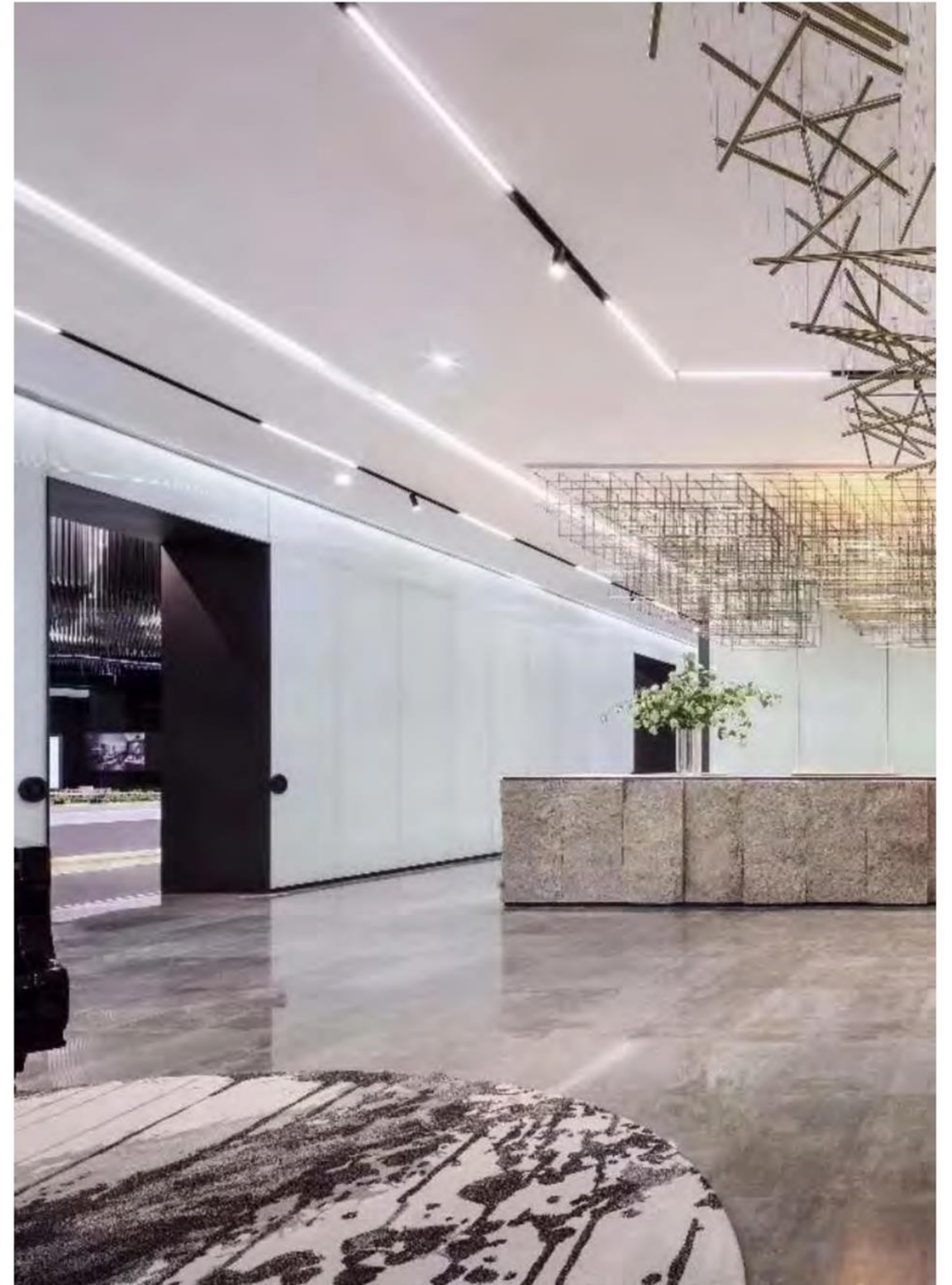
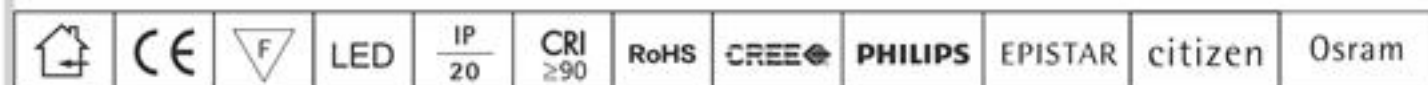
IP20
CCT 3000K 4000K 6000K
CRI >90
Input voltage 24V/48V
Beam Angel 100°
Color Black/White
Efficiency 75-80lm/w



DAILUX
050



光通输出: 233.5lm		光通输出: 467.5lm		光通输出: 1002lm	
10W		20W		30W	
1m	94.17,151.41lx	188.34,202.82lx	282.51,202.82lx	376.68,202.82lx	470.85,202.82lx
2m	23.54,37.76lx	47.08,75.70lx	70.62,100.45lx	94.17,133.67lx	117.71,174.15lx
3m	10.24,16.77lx	20.48,33.10lx	30.72,50.18lx	40.96,66.76lx	51.20,77.35lx
4m	6.40,10.24lx	12.80,20.07lx	19.20,30.09lx	25.60,45.16lx	32.00,61.78lx
5m	4.00,6.40lx	8.00,13.39lx	12.00,20.07lx	16.00,30.09lx	20.00,41.78lx



DALI Available

DALI Available

D series >>>>>

D series >>>>>

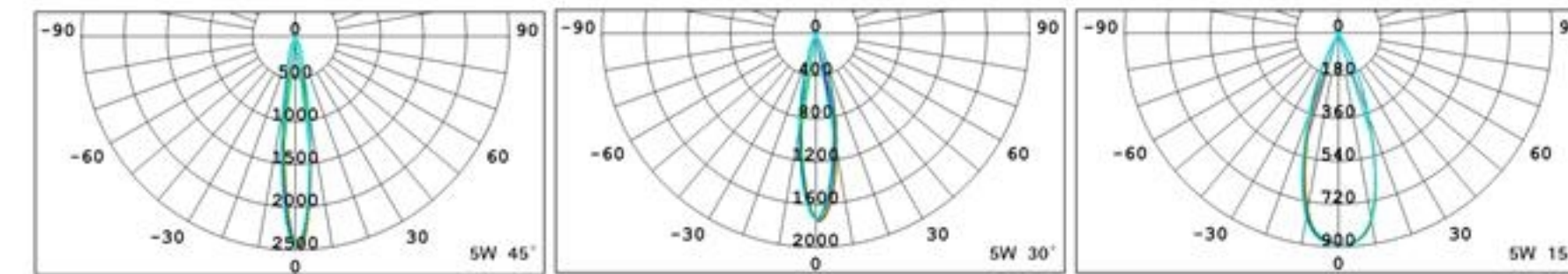
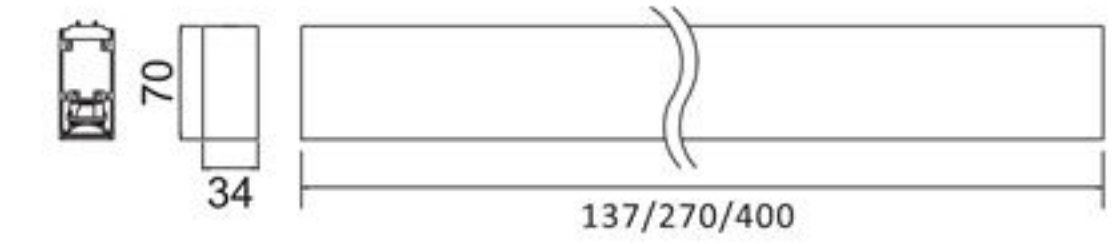
Magnetic System

Magnetic System

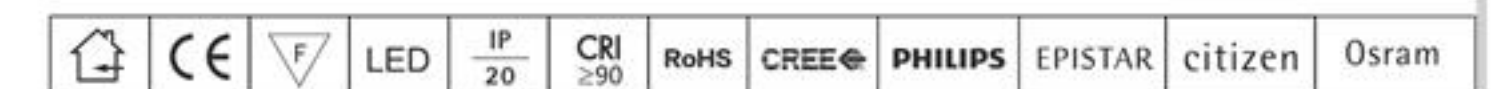


BJ-CT-SD501 5W
 BJ-CT-SD101 10W
 BJ-CT-SD1501 15W

IP20
 CCT 3000K 4000K 6000K
 CRI >90
 Input voltage 48V
 Beam Angel 15° 30° 45°
 Color Black/White
 Efficiency 75-80lm/w



光通输出: 102.5lm SW 45°		光通输出: 138lm SW 30°		光通输出: 208.6lm SW 15°		
1m	1451,2529lx	24,97cm	3143,1780lx	36,76cm	632,1,890.8lx	43.51cm
2m	412.8,432.2lx	49.93cm	299,7,445.0lx	73.51cm	158,0,222.7lx	127.03cm
3m	183.5,281.0lx	74.90cm	129,2,197.8lx	110.27cm	70,23,98.98lx	190.54cm
4m	103.2,158.0lx	99.87cm	72.47,111.3lx	147.03cm	39,51,55.48lx	254.05cm



DAILUX 051

DAILUX 052

DALI Available

DALI Available

D series >>>>>

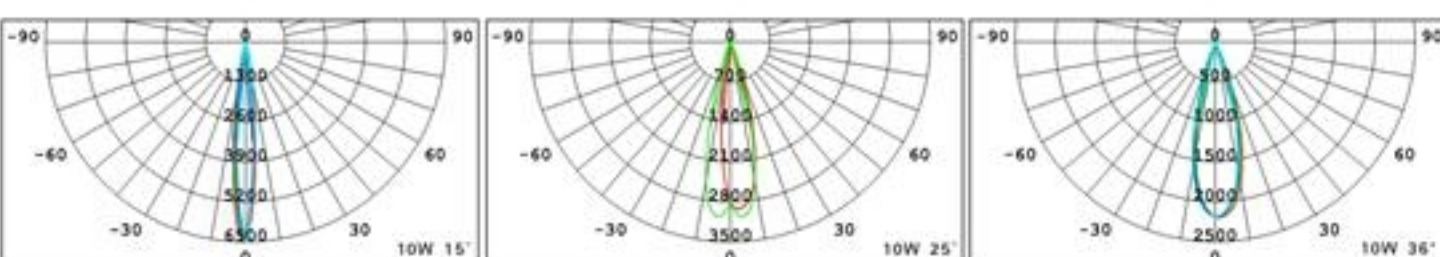
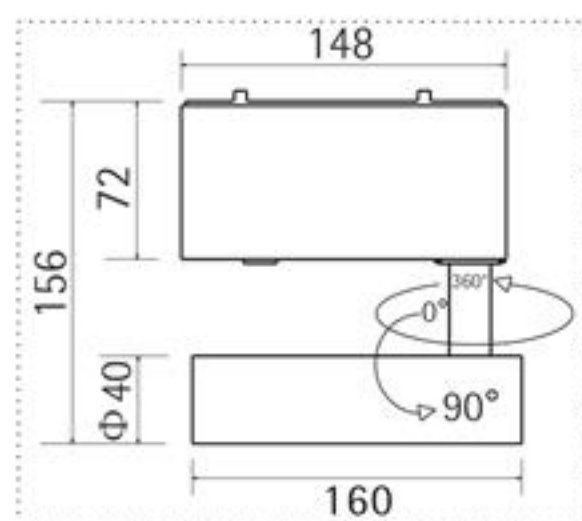
D series >>>>>

Magnetic System

Magnetic System

BJ-BCX10/10W

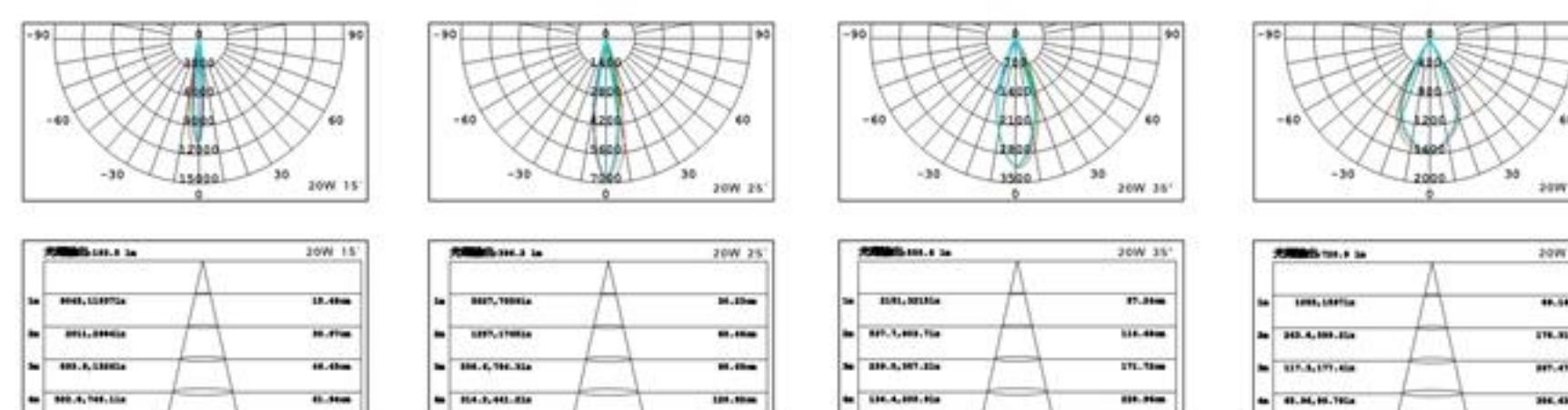
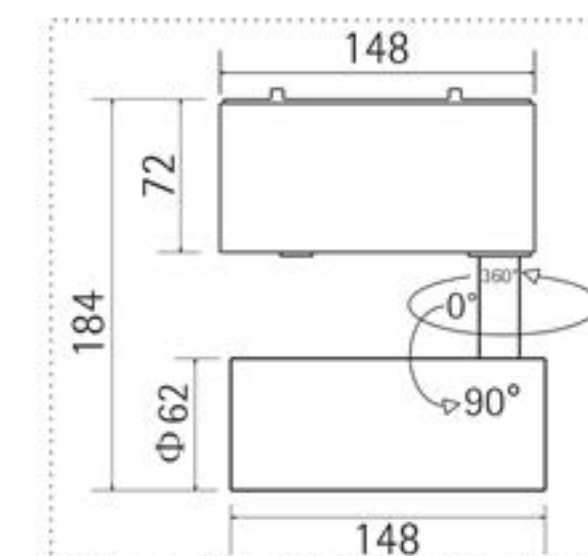
IP20
 CCT 3000K 4000K 6000K
 CRI >90
 Input voltage 48V
 Beam Angel 15° 25° 36°
 Color Black/White
 Size(mm) Φ :40 L:150 H:156
 Efficiency 75-80lm/w



光通輸出: 148.7lm 10W 15°		光通輸出: 289.7lm 10W 25°		光通輸出: 392.3lm 10W 36°	
1m	4392.4685lx	19.44m	2396.3382lx	35.79m	1249.2214lx
2m	1071.1712lx	38.87m	597.5,492.4lx	71.59m	311.5,353.3lx
3m	476.5,163.8lx	58.31m	260.5,309.8lx	107.90m	172.6,244.5lx
4m	267.6,439.3lx	77.79m	148.5,209.3lx	147.37m	96.75,139.4lx

BJ-BCX20/20W

IP20
 CCT 3000K 4000K 6000K
 CRI >90
 Input voltage 48V
 Beam Angel 15° 25° 35° 60°
 Color Black/White
 Size(mm) Φ 62 L:148 H:184
 Efficiency 75-80lm/w



光通輸出: 148.7lm 20W 15°		光通輸出: 289.7lm 20W 25°		光通輸出: 392.3lm 20W 35°		光通輸出: 1487.7lm 20W 60°	
1m	4392.4685lx	19.44m	2396.3382lx	35.79m	1249.2214lx	1088.1397lx	88.194m
2m	1071.1712lx	38.87m	597.5,492.4lx	71.59m	311.5,353.3lx	272.0347lx	174.384m
3m	476.5,163.8lx	58.31m	260.5,309.8lx	107.90m	172.6,244.5lx	117.1,177.4lx	267.474m
4m	267.6,439.3lx	77.79m	148.5,209.3lx	147.37m	96.75,139.4lx	66.3,95.8lx	368.454m

DAILUX 053

DAILUX 054



DALI Available

DALI Available

D series >>>>>

D series >>>>>

Magnetic System

Magnetic System



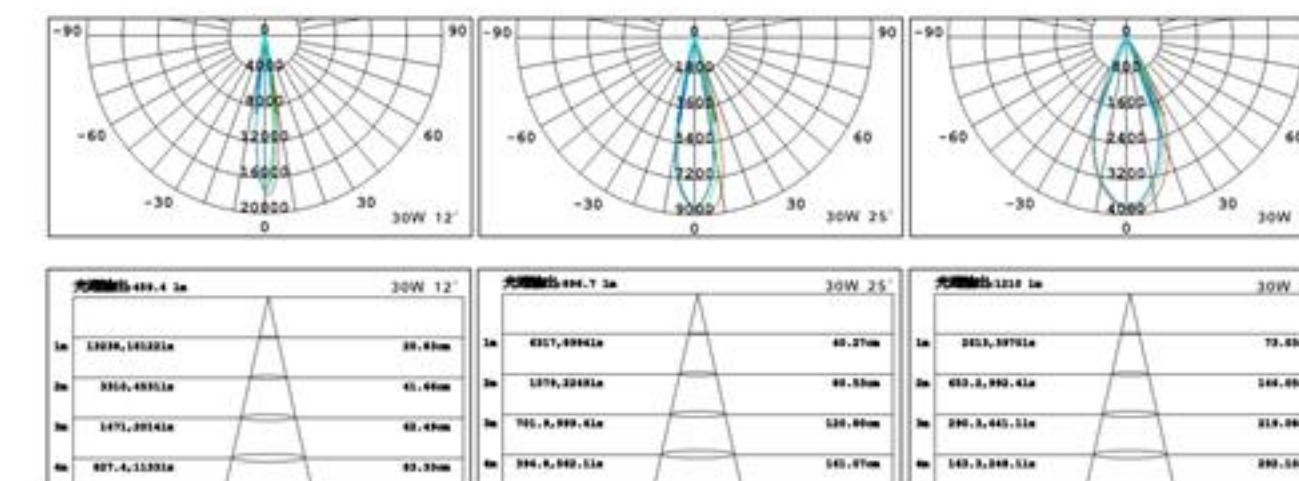
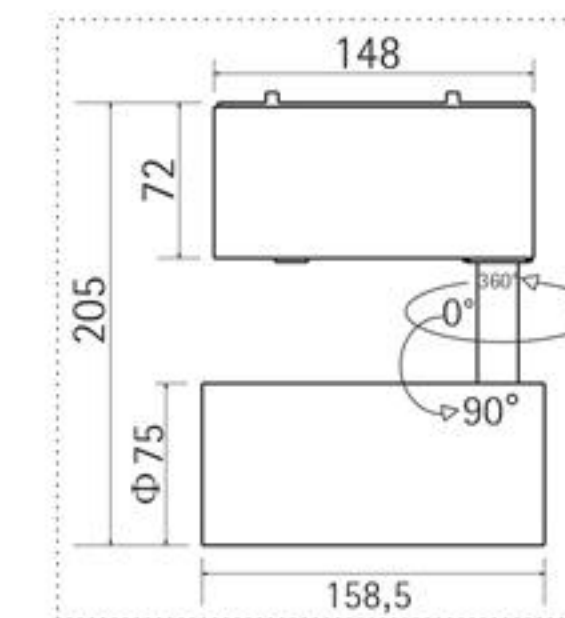
DALIX
055

DALIX
056



BJ-BCX30/30W

IP20	
CCT	3000K 4000K 6000K
CRI	>90
Input voltage	48V
Beam Angel	10° 20° 36°
Color	Black/White
Size(mm)	Φ 75 L:158.5 H:205
Efficiency	80-90lm/w



CE LED IP20 CRI ≥90 RoHS CREE PHILIPS EPISTAR citizen Osram

DALI Available

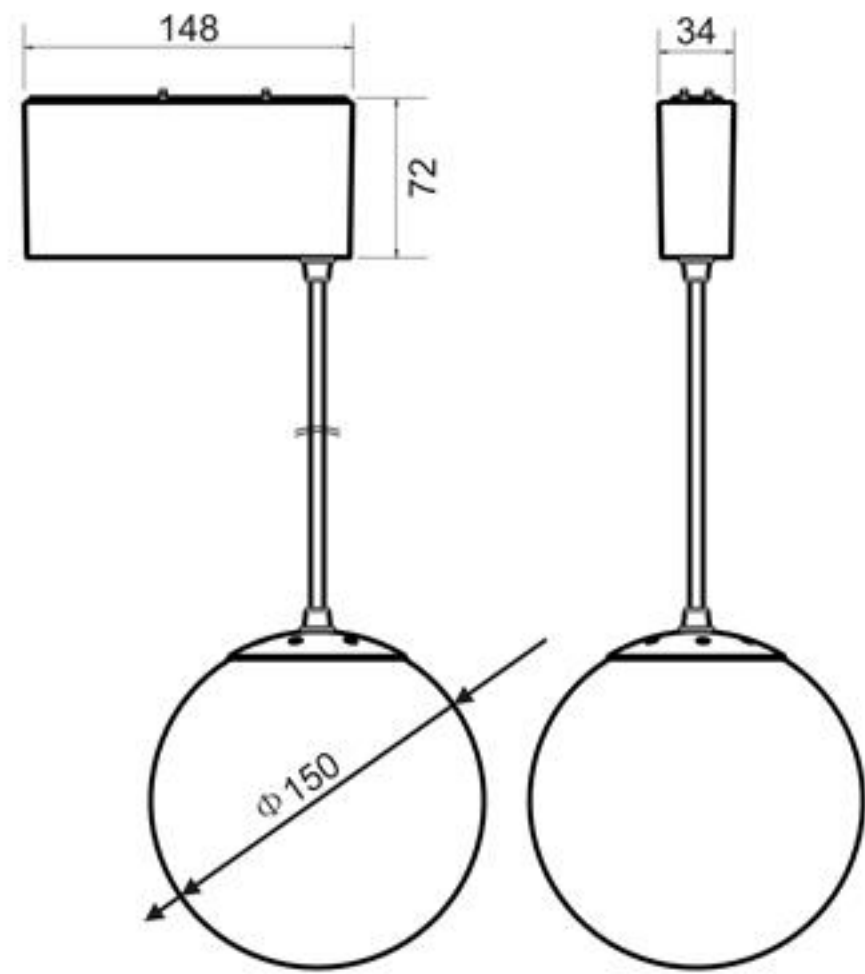
DALI Available

D series >>>>>

D series >>>>>

Magnetic System

Magnetic System

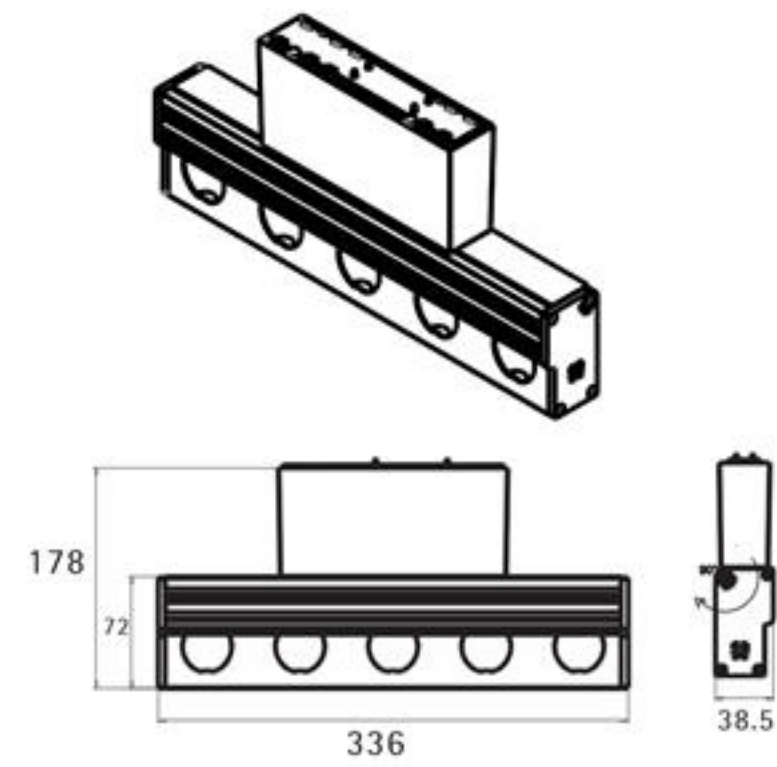


IP20	
Power	8W
CCT	3000K 4000K 6000K
CRI	> 85
Input voltage	48V
Beam Angel	120°
Color	Black/White
Efficiency	60-70lm/w

BJ-CXD150 8W

DALIX 057

DALIX 058



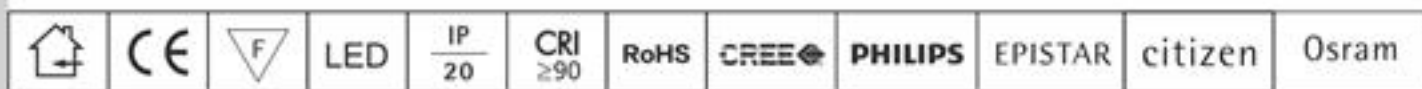
BJ-CCP-05 20W

IP20	
Power	20W
CCT	3000K 4000K 6000K
CRI	> 85
Input voltage	48V
Beam Angel	Polarized 70°
Color	Black/White
Efficiency	80-90lm/w



DALI Available

DALI Available

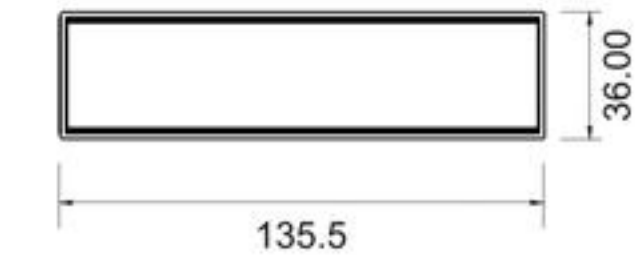
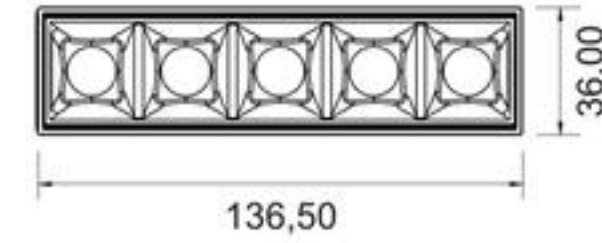


D series >>>>>

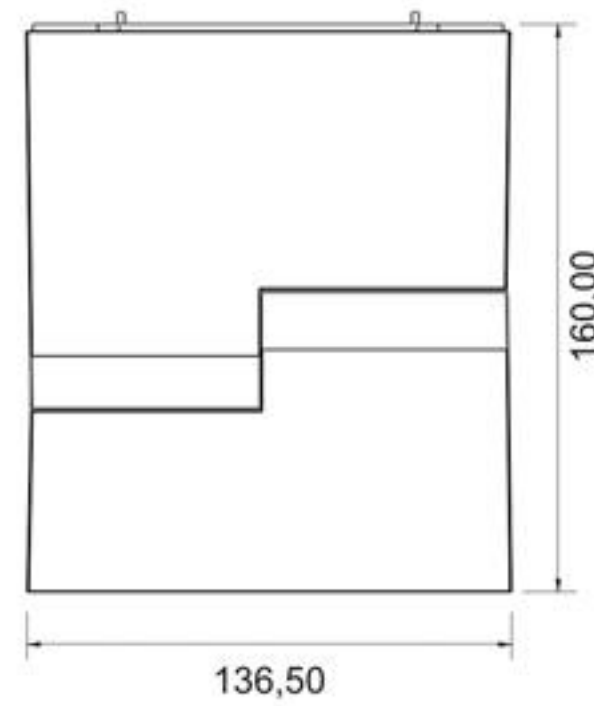
D series >>>>>

Magnetic System

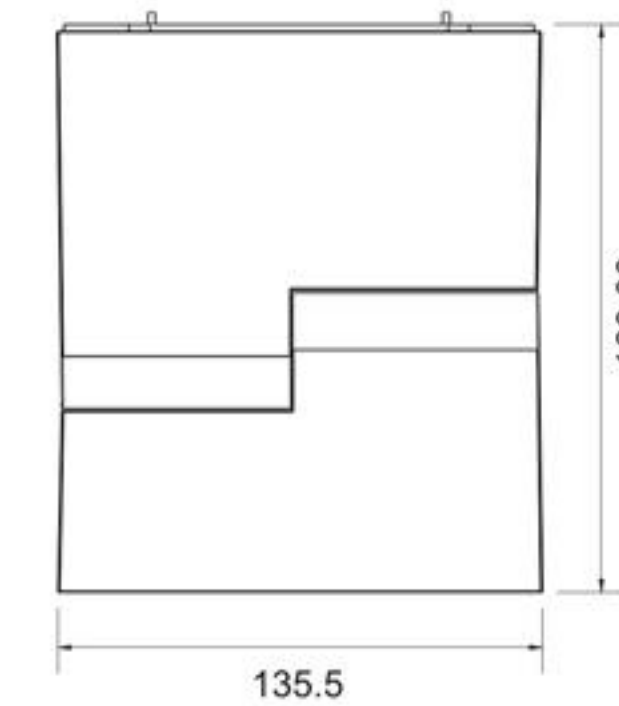
Magnetic System



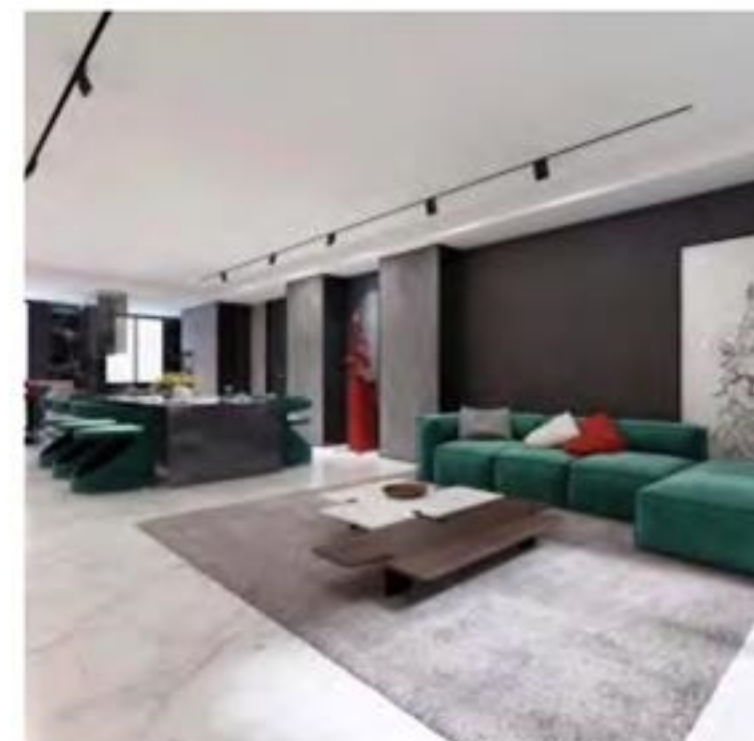
DALIX
059



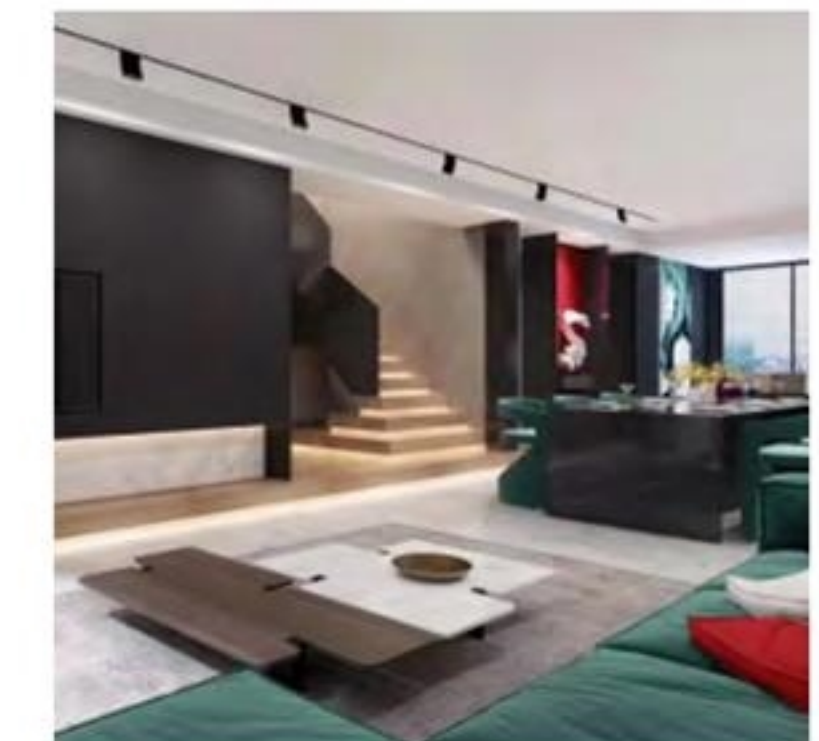
DALIX
060



BJ-CCGS05 15W
 IP20
 Power 15W
 CCT 3000K 4000K 6000K
 CRI > 90
 Input voltage 48V
 Beam Angel 15° 30° 45°
 Color Black/White
 Size(mm) 36mm*160mm*135.5mm
 (W*H*L)
 Efficiency 75-80lm/w

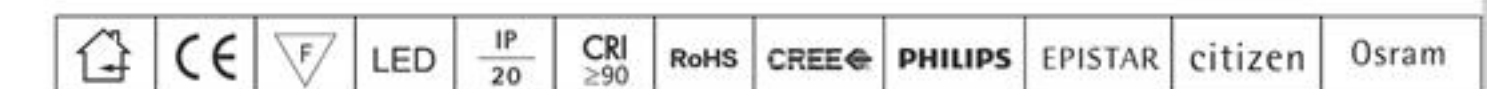
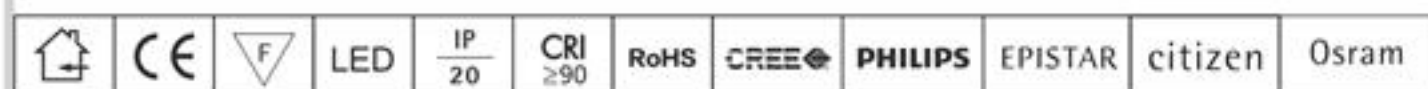


BJ-CCB01 10W
 IP20
 Power 10W
 CCT 3000K 4000K 6000K
 CRI > 85
 Input voltage 48V
 Beam Angel 110°
 Color Black/White
 Size(mm) 36mm*160mm*135.5mm
 (W*H*L)
 Efficiency 75-80lm/w



DALI Available

DALI Available

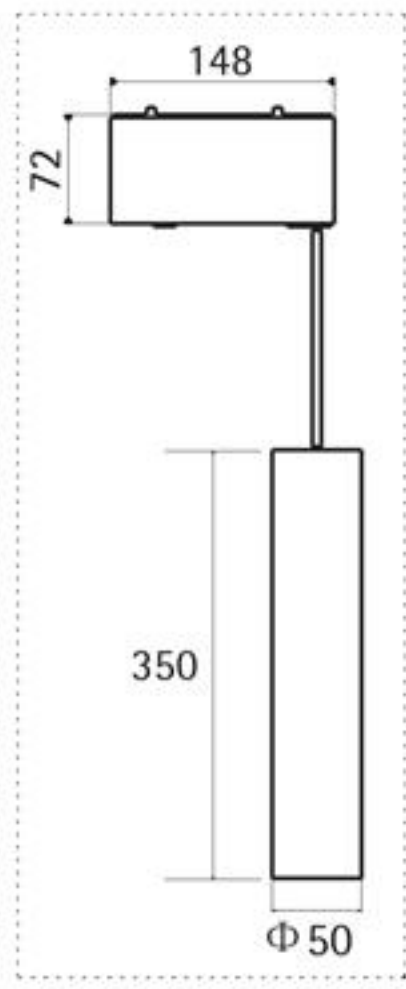


D series >>>>>

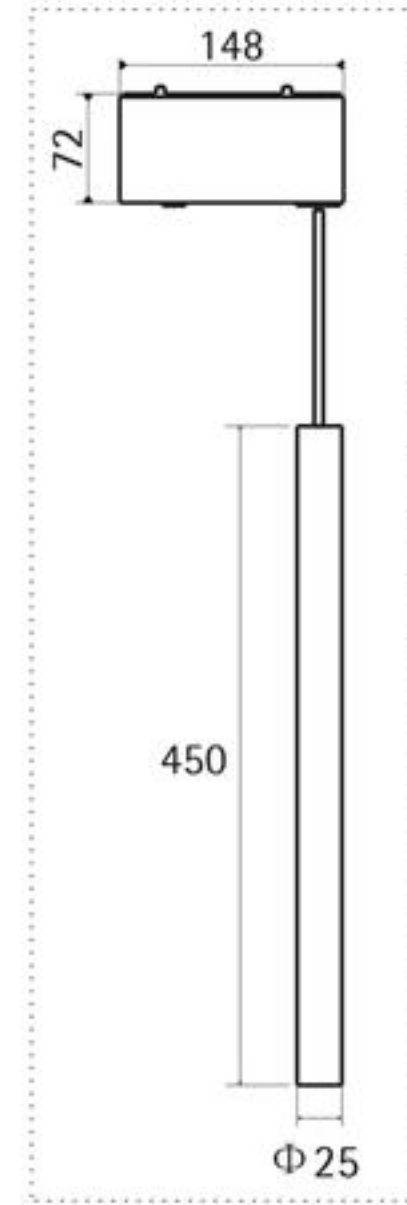
D series >>>>>

Magnetic System

Magnetic System



BJ-CX3515/15W



BJ-CX4503/2W



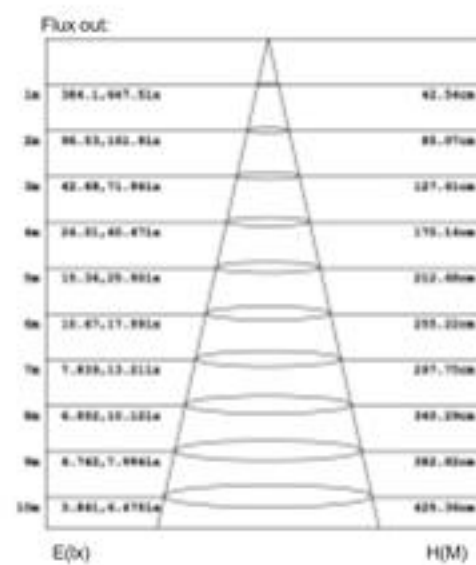
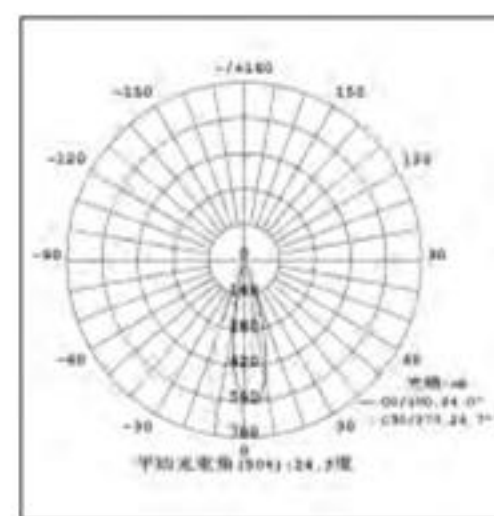
DAILUX
061

DAILUX
062



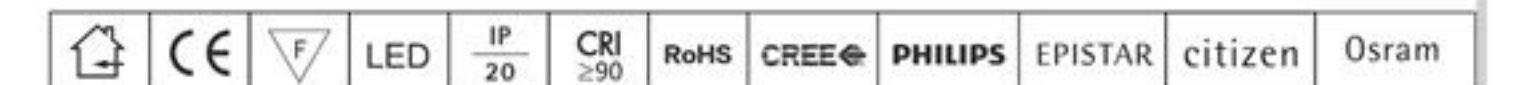
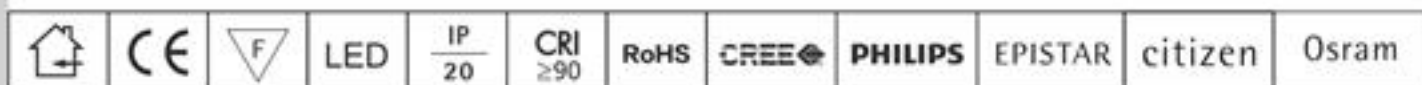
IP20	
Power	15W/2W
CCT	3000K 4000K 6000K
CRI	>90
Input voltage	48V
Beam Angel	25° 40°
Color	Black/White/Silver/Gold
Size(mm)	3515: Φ 50*350mm 4503: Φ 25*450mm
Efficiency	60-70lm/w

Photometric Diagram



DALI Available

DALI Available



AGG system >>>>> Track

AGG system >>>>> Track



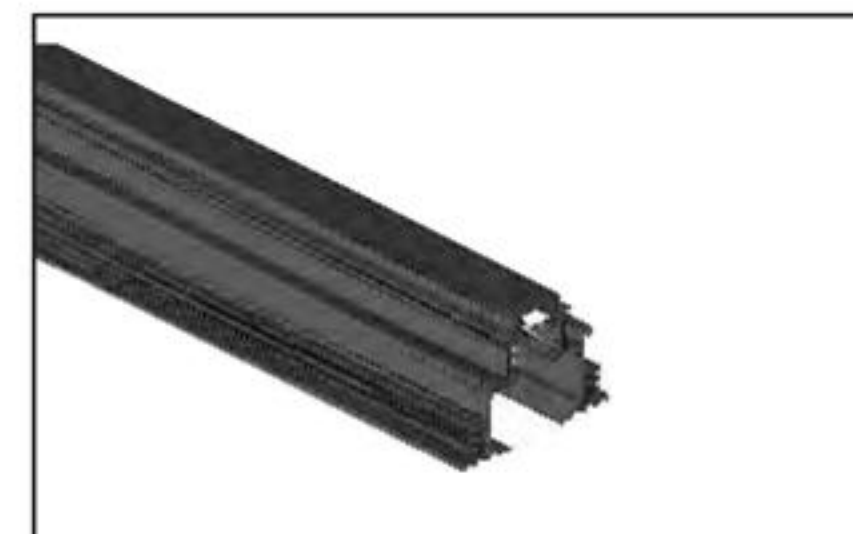
BJ-9500-CX1



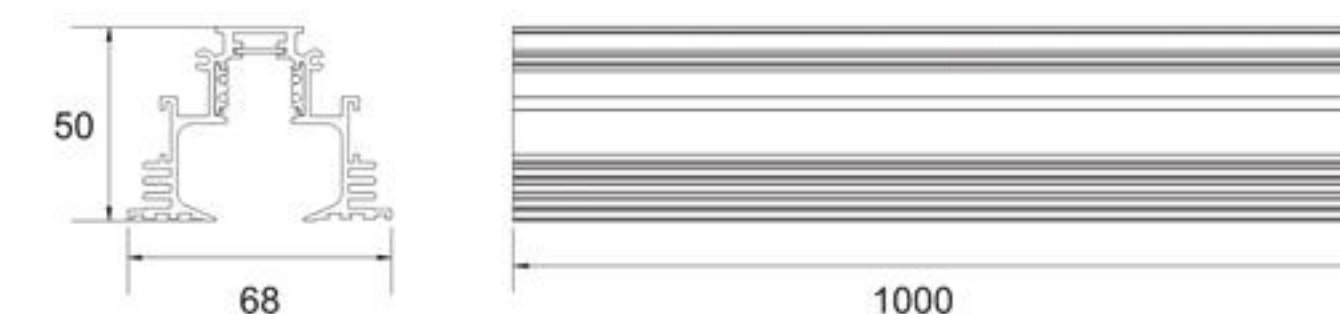
Surface mounted track
DC 48V



BJ-9500-CX4



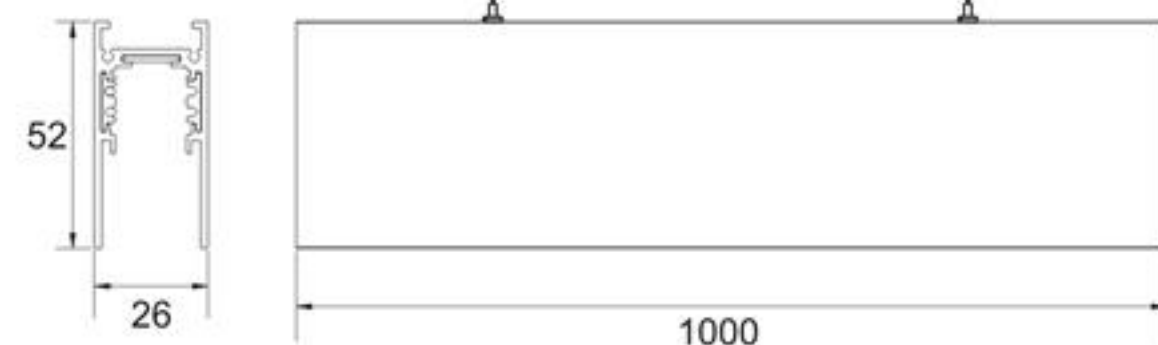
Recessed track(trimless)
DC 48V



BJ-9500-CX2



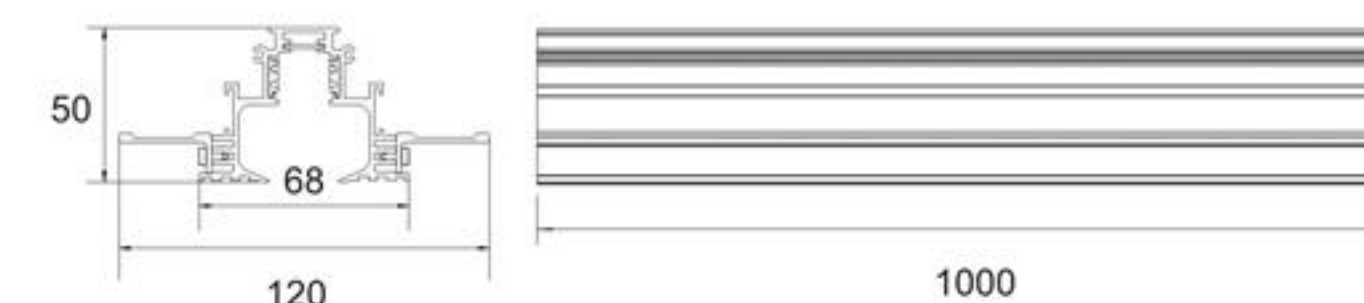
Pendant
DC 48V



BJ-9500-CX4B



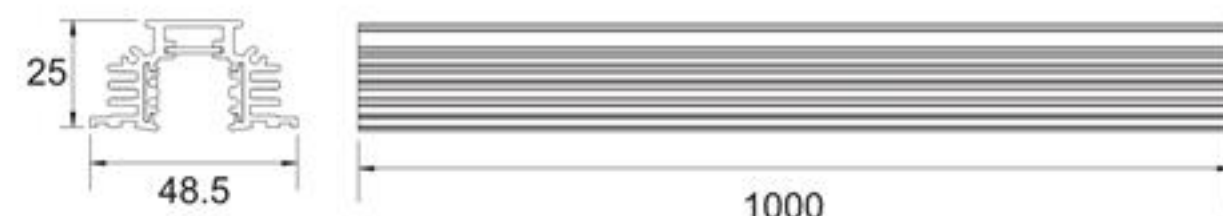
Free-adjust
Recessed track(trimless)
DC 48V



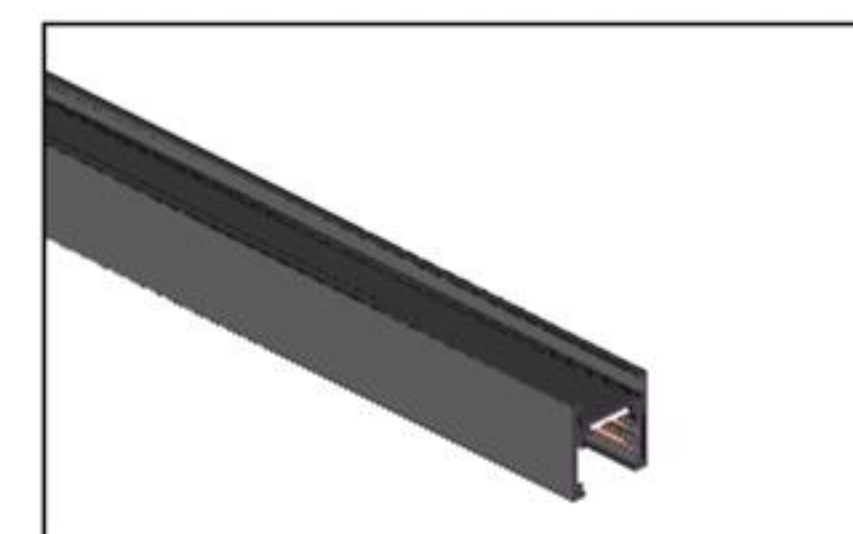
BJ-9500-CX3



Recessed track(trimless)
DC 48V



BJ-9500-CX6



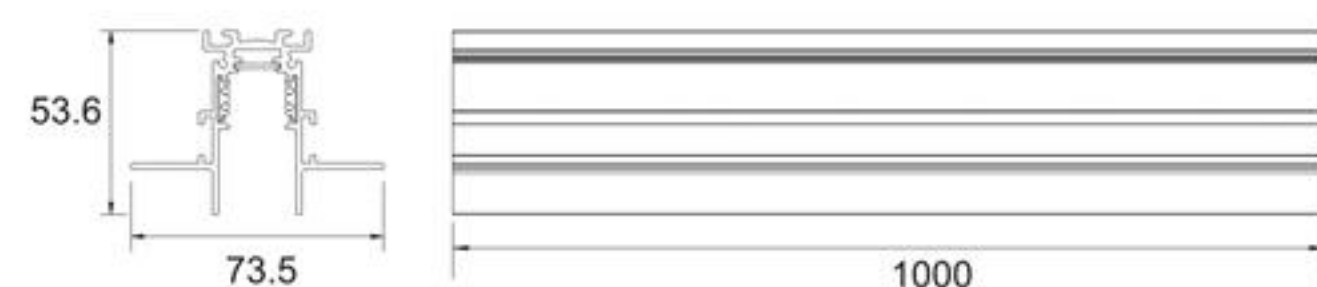
Recessed track(trimless)
DC 48V



BJ-9500-CX5



Recessed track(trimless)
DC 48V



Accessories



BJ-9519-DYT

BJ-9501-GDH

BJ-9503-LJQ

BJ-9511-ZJLJQ

Magnetic System

Magnetic System

DAI LUX
063

DAI LUX
064

DAI L Available

DAI L Available

AGG series >>>>>

AGG series >>>>>

Magnetic System

Magnetic System

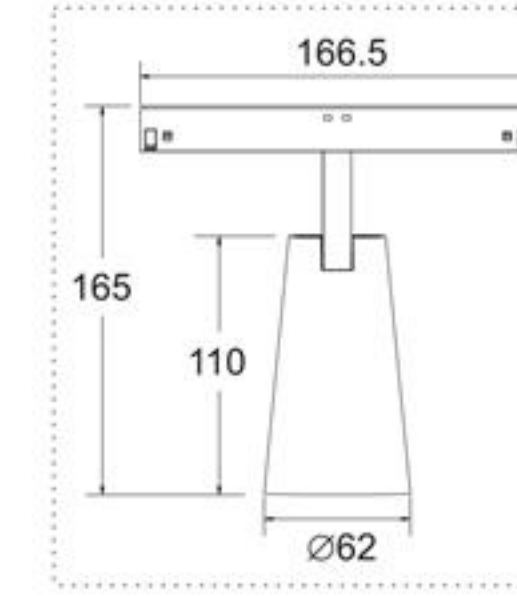
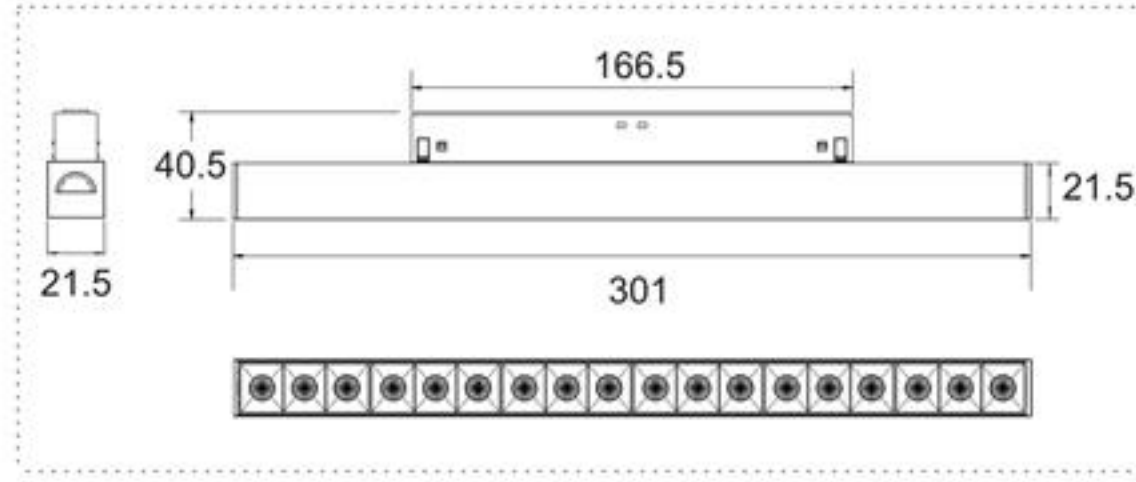


AAG Series

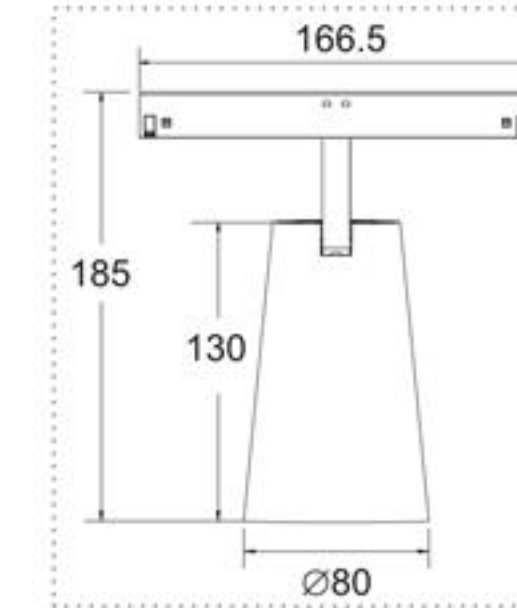


BJ-9519GS-12

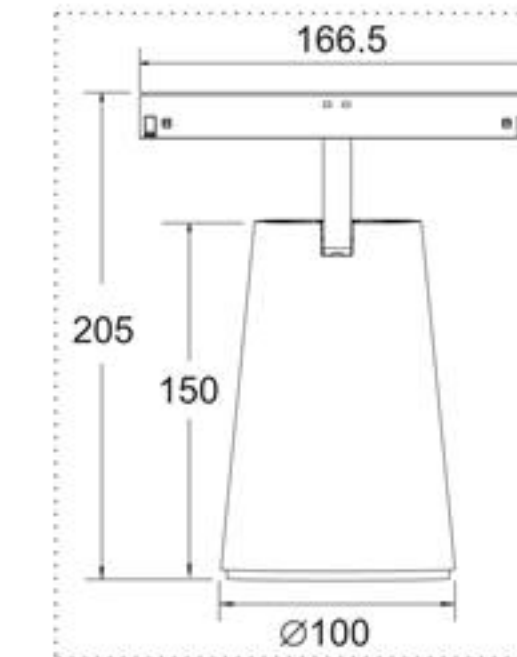
Power 7W
 CCT 3000K 4000K 6000K
 CRI >90
 Input voltage 24V/48V
 Beam Angel 25° 30° 60°
 Color Black/White



BJ-9519SD-10 10W



BJ-9519SD-20 20W



BJ-9519SD-30 30W

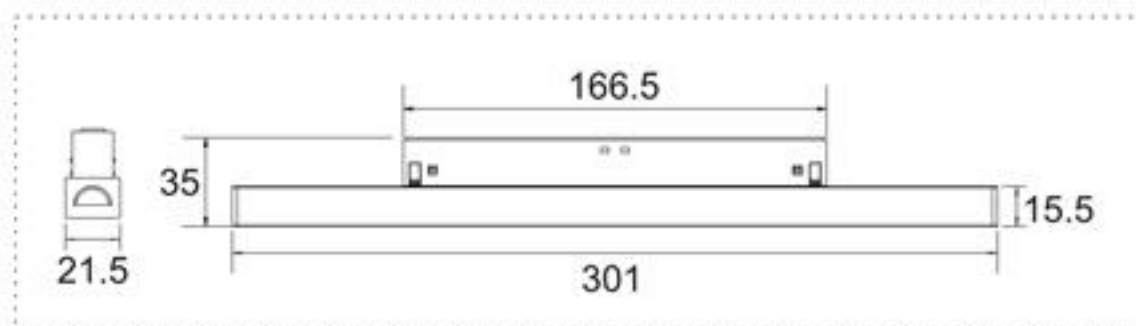
DALIX 065

DALIX 066



BJ-9519B-03

Power 6W
 CCT 3000K 4000K 6000K
 CRI >85
 Input voltage 24V/48V
 Beam Angel 110°
 Color Black/White



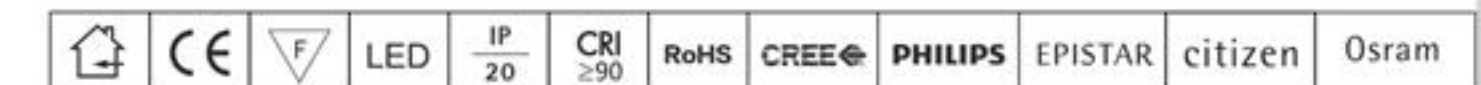
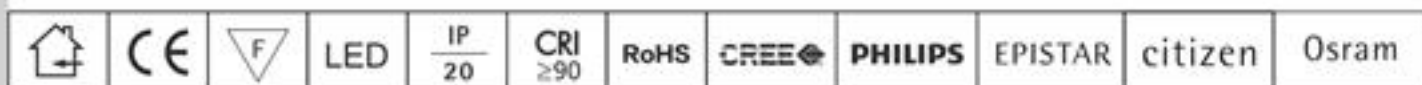
BJ-9519SD

Power 10W/20W/30W
 CCT 3000K 4000K 6000K
 CRI >90
 Input voltage 24V/48V
 Beam Angel 15° 24° 38°
 Color Black/White



DALI Available

DALI Available



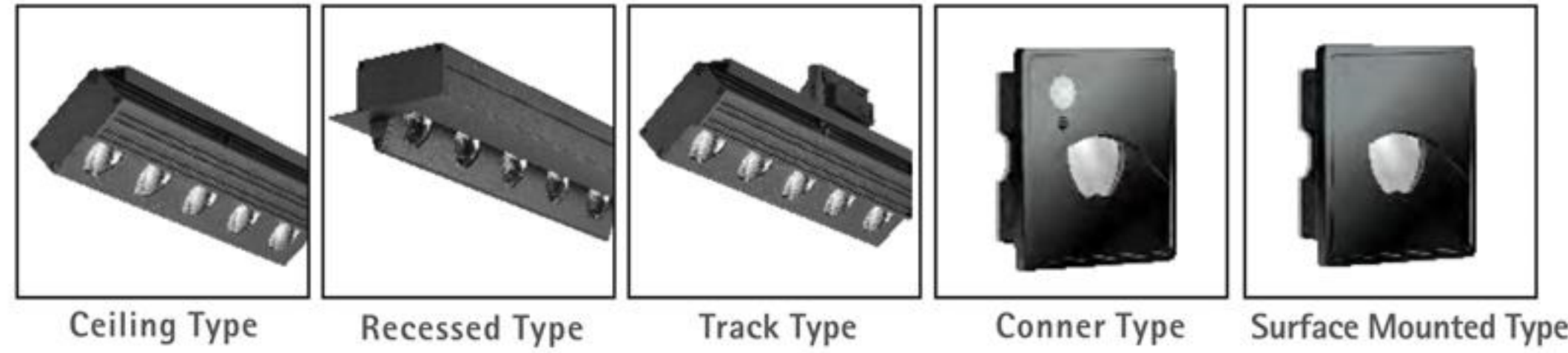
Abbas series >>>>>

Abbas series >>>>>

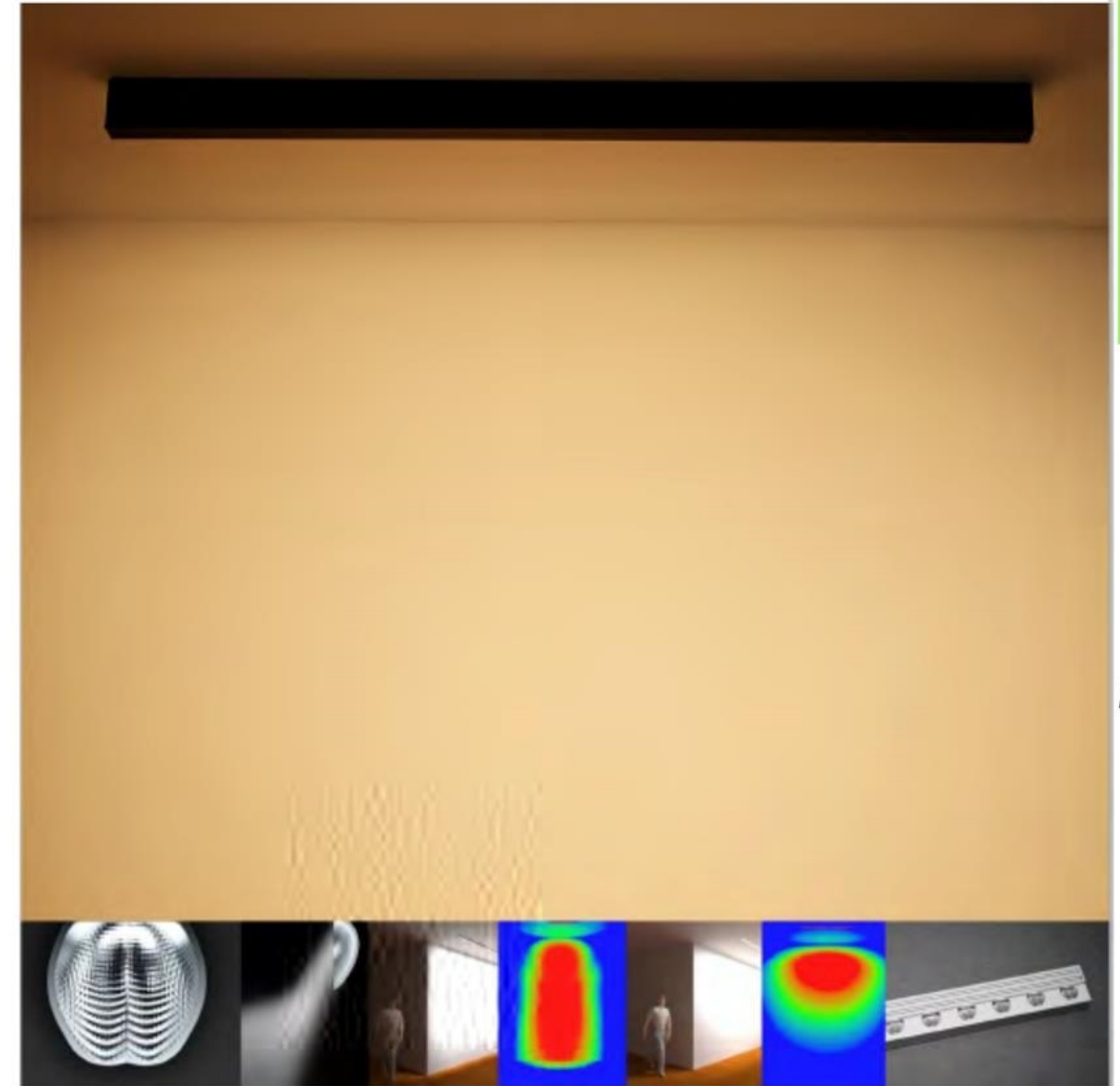
Wall Wash Light

Wall Wash Light

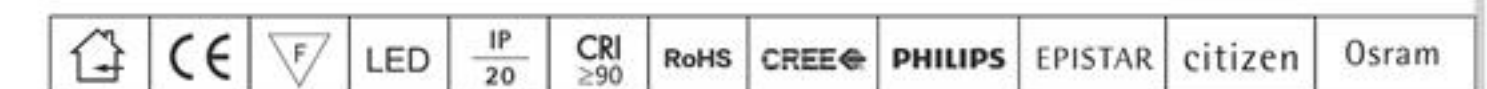
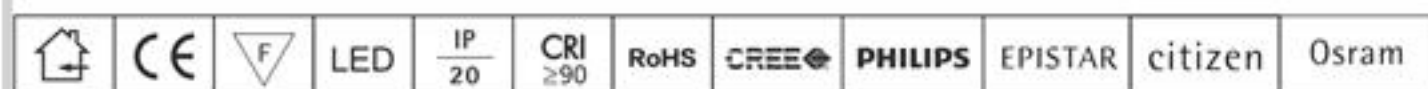
Linear wall wash light



Display case



Bridgelux LED Precise control of light
 Creative and unique design
 High CRI restore the original color of the wall;
 Large area is evenly washed, reflecting clean and visual impact



DAILUX 067

DAILUX 068

DALI Available

DALI Available

Abbas series >>>>>

Abbas series >>>>>

Wall Wash Light

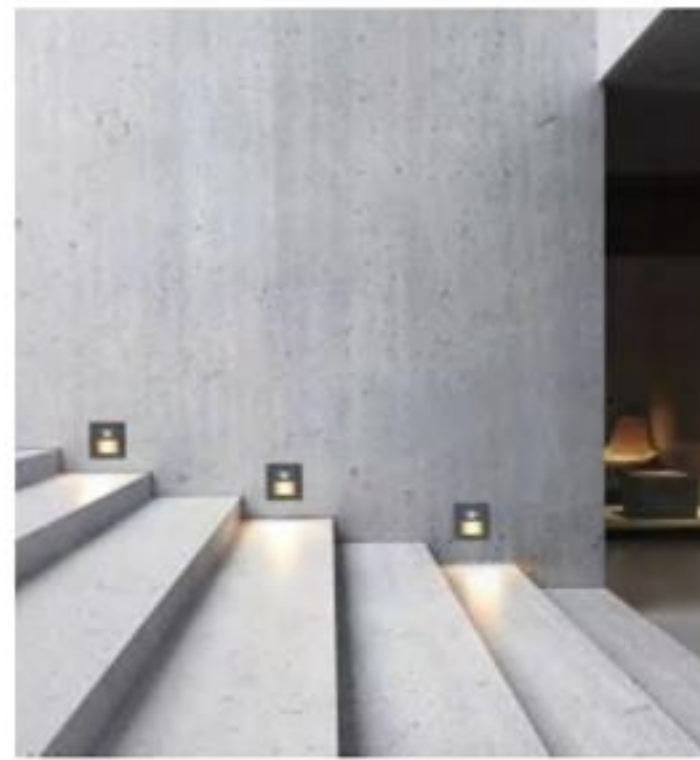
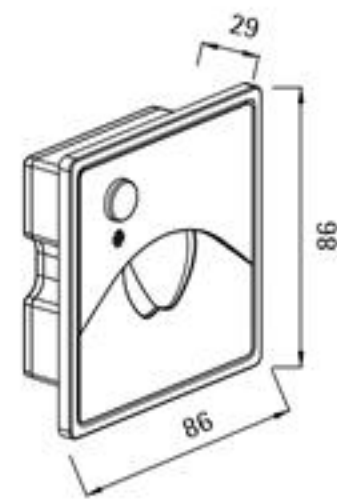
Wall Wash Light

Conner Type



BJ-PG86-GY

IP20	
Power	2W
CCT	3000K 4000K 6000K
CRI	> 90
Input voltage	110-240VAC
Beam Angel	Polarized 48°
Color	Black/White/Gray
Size(mm)	L:86*86 H:29mm
Efficiency	80-90lm/w

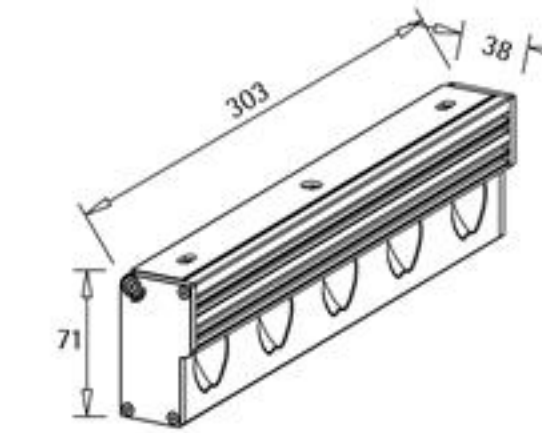


Ceiling Type



BJ-GXP-05

IP20	
Power	5*4W
CCT	3000K 4000K 6000K
CRI	> 90
Input voltage	110-240VAC
Beam Angel	Polarized 48°
Color	Black/White/Gray
Size(mm)	L:303*38 H:71mm
Efficiency	90-100lm/w



DAI LUX
069

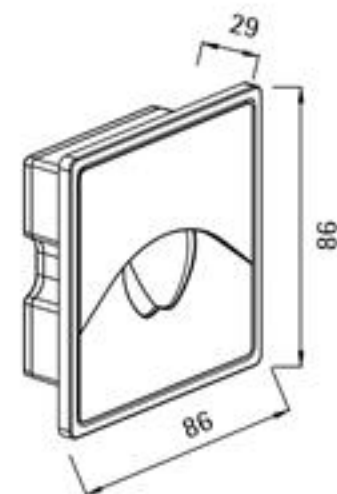
DAI LUX
070

Surface Mounted Type



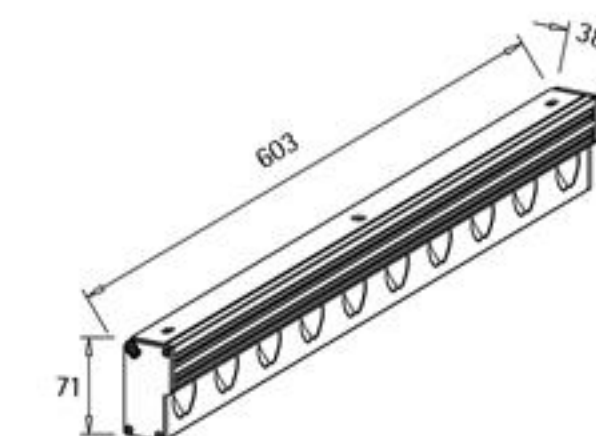
BJ-PG86

IP20	
Power	5W
CCT	3000K 4000K 6000K
CRI	> 90
Input voltage	110-240VAC
Beam Angel	Polarized 48°
Color	Black/White/Gray
Size(mm)	L:86*86 H:29mm
Efficiency	80-90lm/w



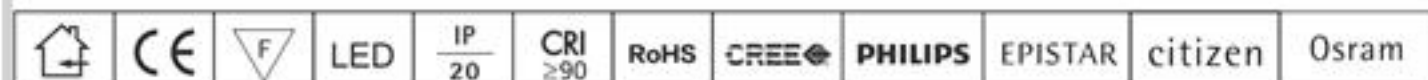
BJ-GXP-10

IP20	
Power	10*4W
CCT	3000K 4000K 6000K
CRI	> 90
Input voltage	110-240VAC
Beam Angel	Polarized 48°
Color	Black/White/Gray
Size(mm)	L:603*38 H:71mm
Efficiency	90-100lm/w



DAI L Available

DAI L Available



Abbas series >>>>>

Abbas series >>>>>

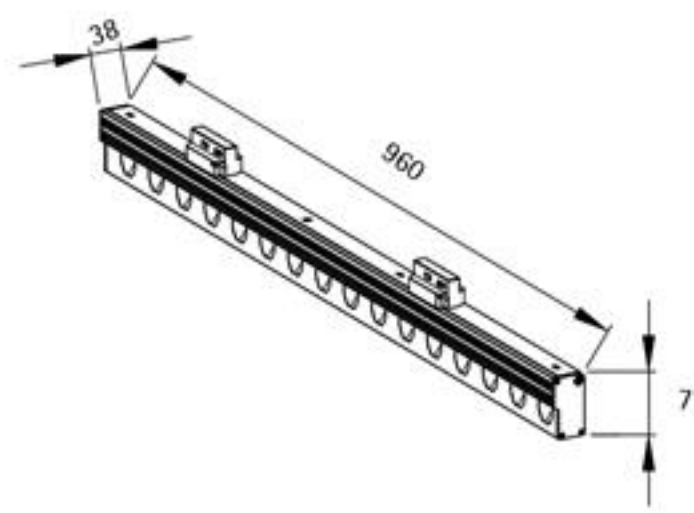
Wall Wash Light

Wall Wash Light



BJ-GXP-16-3

IP20	
Power	16*4W
CCT	3000K 4000K 6000K
CRI	>90
Input voltage	110-240VAC
Beam Angel	Polarized 48°
Color	Black/White/Gray
Size(mm)	L:963*38 H:71mm
Efficiency	90-100lm/w

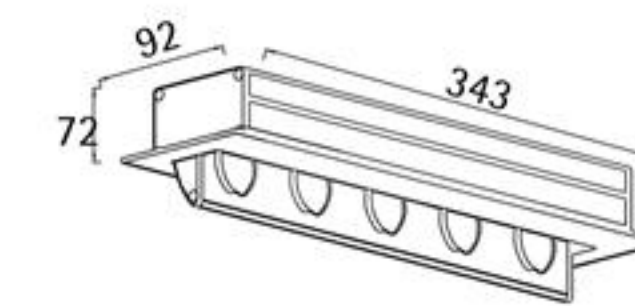


Recessed Type



BJ-GSPG-05-3

IP20	
Power	5*4W
CCT	3000K 4000K 6000K
CRI	>90
Input voltage	110-240VAC
Beam Angel	Polarized 48°
Color	Black/White/Gray
Size(mm)	L:343*W92 H:72mm
Cut out	L:315*W80mm
Efficiency	90-100lm/w



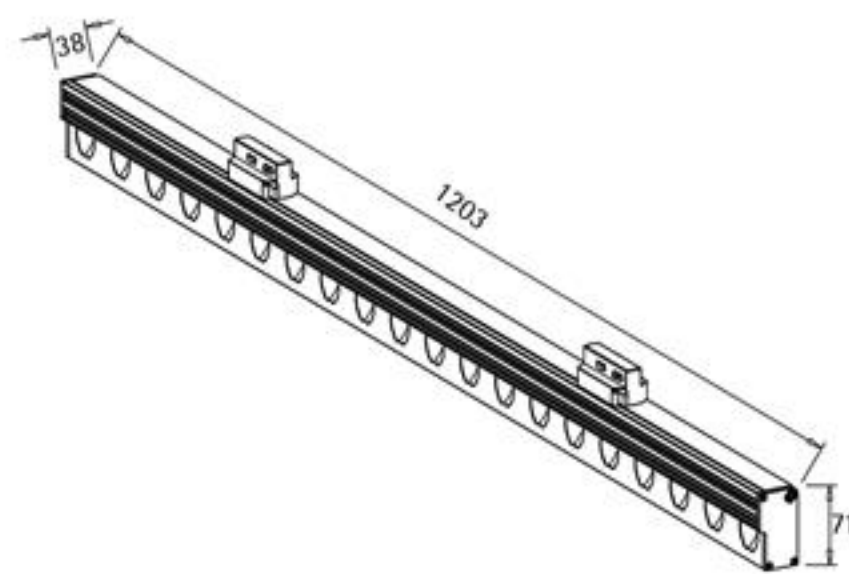
DAILUX
073

DAILUX
074



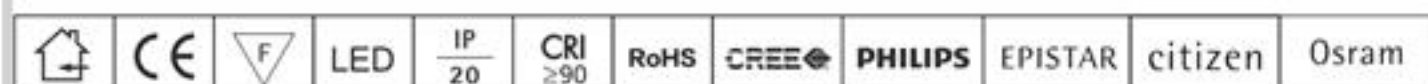
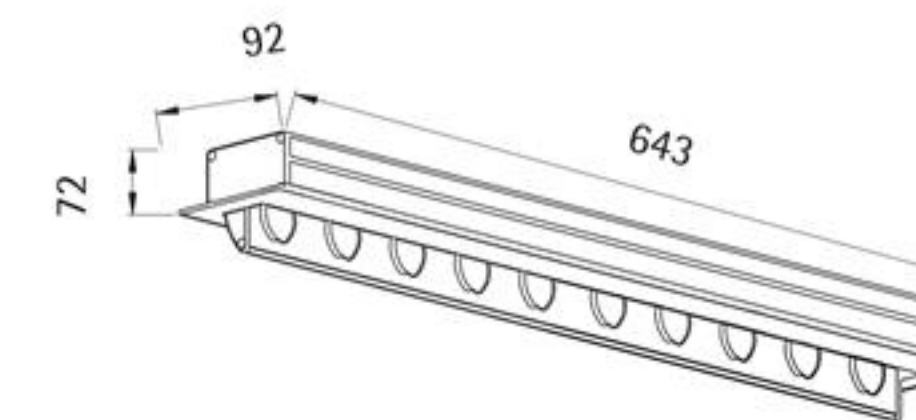
BJ-GXP-20-3

IP20	
Power	20*4W
CCT	3000K 4000K 6000K
CRI	>90
Input voltage	110-240VAC
Beam Angel	Polarized 48°
Color	Black/White/Gray
Size(mm)	L:1203*38 H:71mm
Efficiency	90-100lm/w



BJ-GSPG-10-3

IP20	
Power	10*4W
CCT	3000K 4000K 6000K
CRI	>90
Input voltage	110-240VAC
Beam Angel	Polarized 48°
Color	Black/White/Gray
Size(mm)	L:643*W92 H:72mm
Cut out	L:615*W80mm
Efficiency	90-100lm/w



DALI Available

DALI Available

Abbas series >>>>>

Abbas series >>>>>

Wall Wash Light

Wall Wash Light

Professional polarized light wash wall lamp



BJ-PG9010



BJ-PG11520



BJ-PG11530



DALIX 075

DALIX 076

CE LED IP20 CRI ≥90 RoHS CREE PHILIPS EPISTAR citizen Osram

CE LED IP20 CRI ≥90 RoHS CREE PHILIPS EPISTAR citizen Osram

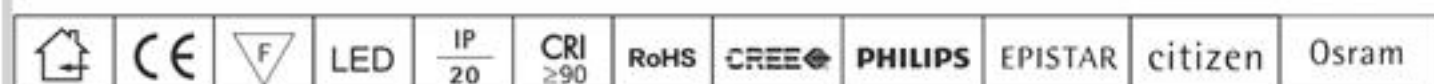
Abbas series >>>>>

Abbas series >>>>>

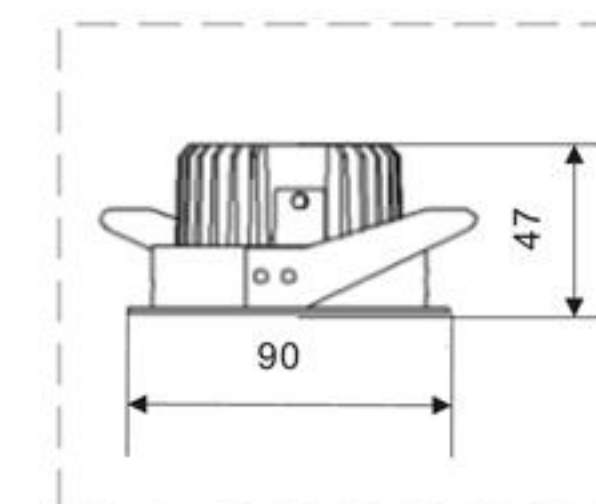
Wall Wash Light



DAILUX
077



Wall Wash Light



BJ-PG9010

LED COB	IP54
Power	10W
CCT	3000K / 4000K / 5000K
Dimmer	2700K/6000K
CRI	>90
Input voltage	110-240VAC
Beam Angel	偏光
Color	Black/White
Ceiling Thickness	3-20mm
Size	Φ90mm* H:47mm
Cut out	Φ80mm
Efficiency	75-80lm/w



DAILUX
078

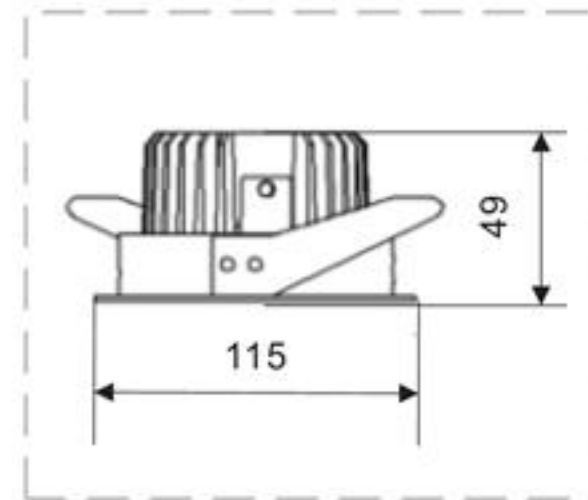


Abbas series >>>>>

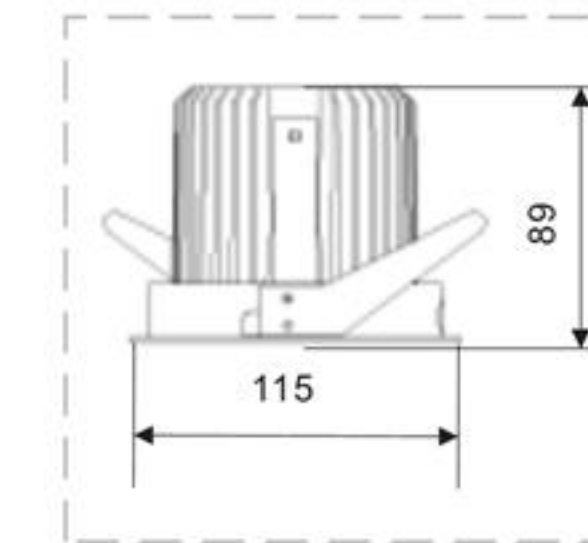
Abbas series >>>>>

Wall Wash Light

Wall Wash Light



BJ-PG11520



BJ-PG11530

DAILUX
079

DAILUX
080

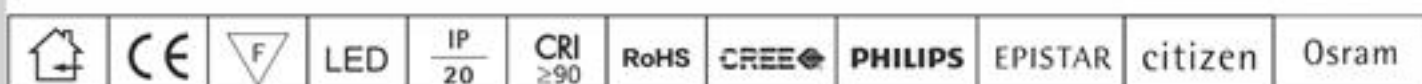
LED COB IP54

Power	15W
CCT	3000K /4000K /5000K
Dimmer	2700K/6000K
CRI	>90
Input voltage	110-240VAC
Beam Angel	偏光
Color	Black/White
Ceiling Thickness	3-20mm
Size	Φ115mm* H:49mm
Cut out	Φ105mm
Efficiency	75-80lm/w



LED COB IP54

Power	30W
CCT	3000K /4000K /5000K
Dimmer	2700K/6000K
CRI	>90
Input voltage	110-240VAC
Beam Angel	偏光
Color	Black/White
Ceiling Thickness	3-20mm
Size	Φ115mm* H:89mm
Cut out	Φ105mm
Efficiency	75-80lm/w





Wall wash spotlights

With rich experience and excellent service attitude , Dailux will be your ideal partner. Whether you run a boutique or large-scale hotel, our professional designers can make successful lighting solutions for you.

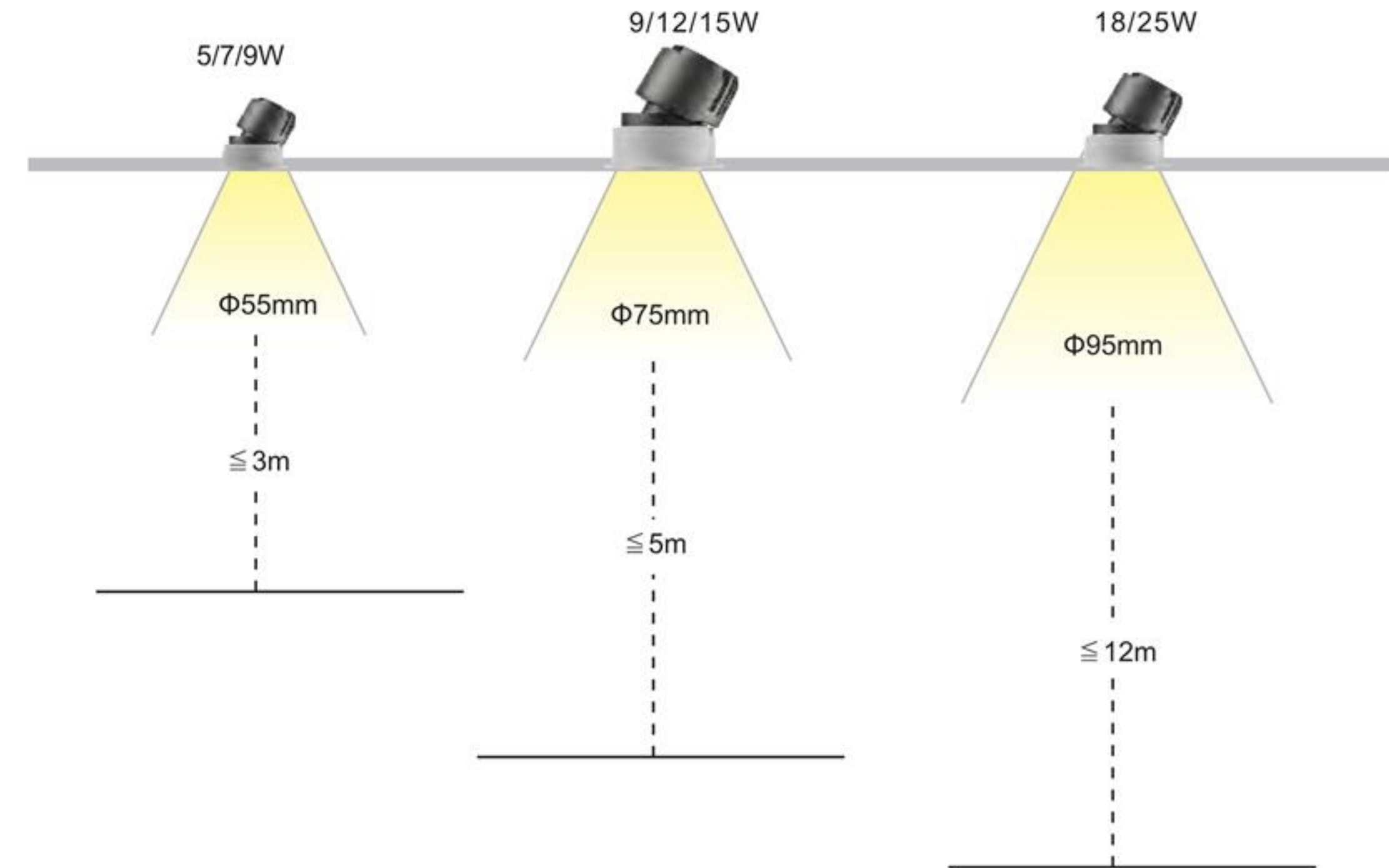
Applications: Star hotel lobby, museum, exhibition hall or trade fairs etc, with installation height over 5 meter.

Iron Man series >>>>>

Iron Man series >>>>>

Recessed Spotlights

Recessed Spotlights



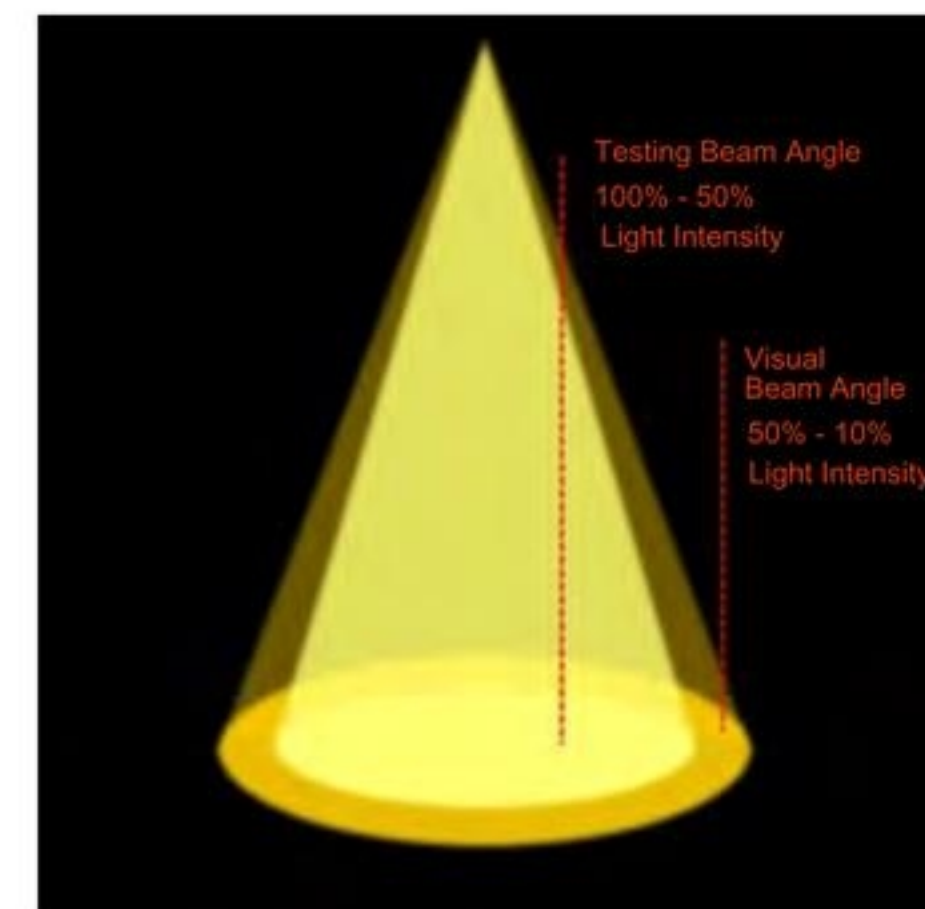
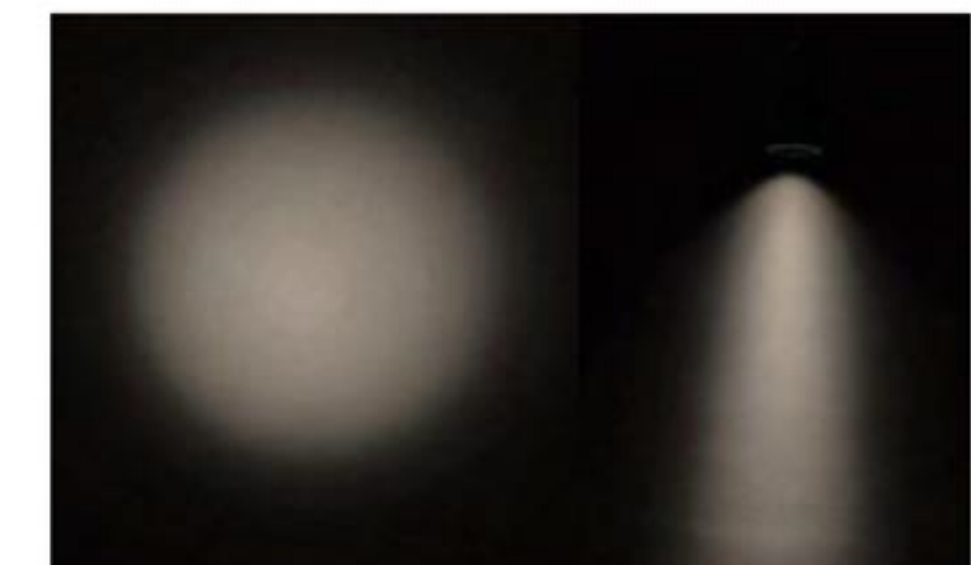
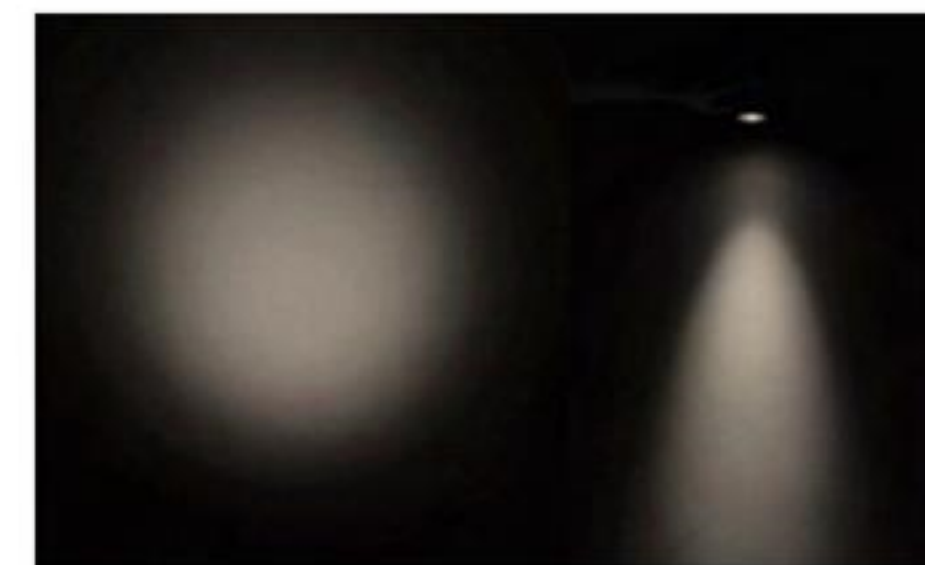
DAI LUX
083

DAI LUX
084

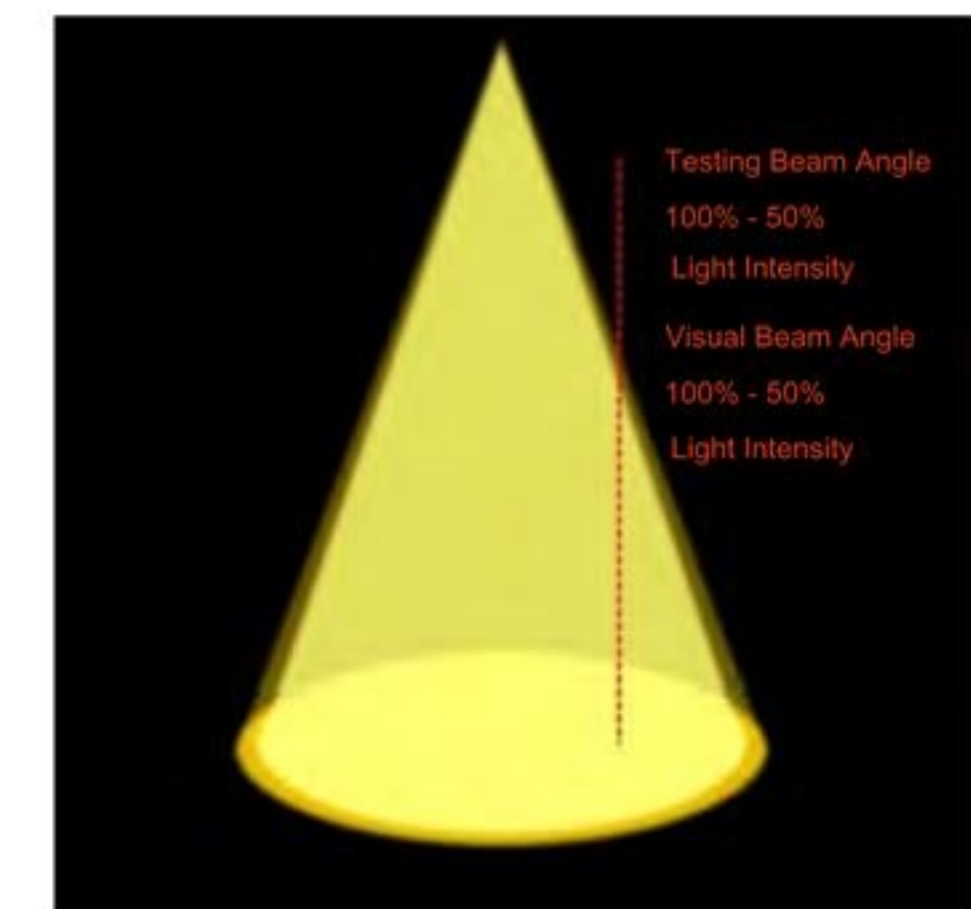


IP65
Custom protection

Spot effect



Normal Light



Iron Man Light

DAI L Available

DAI L Available

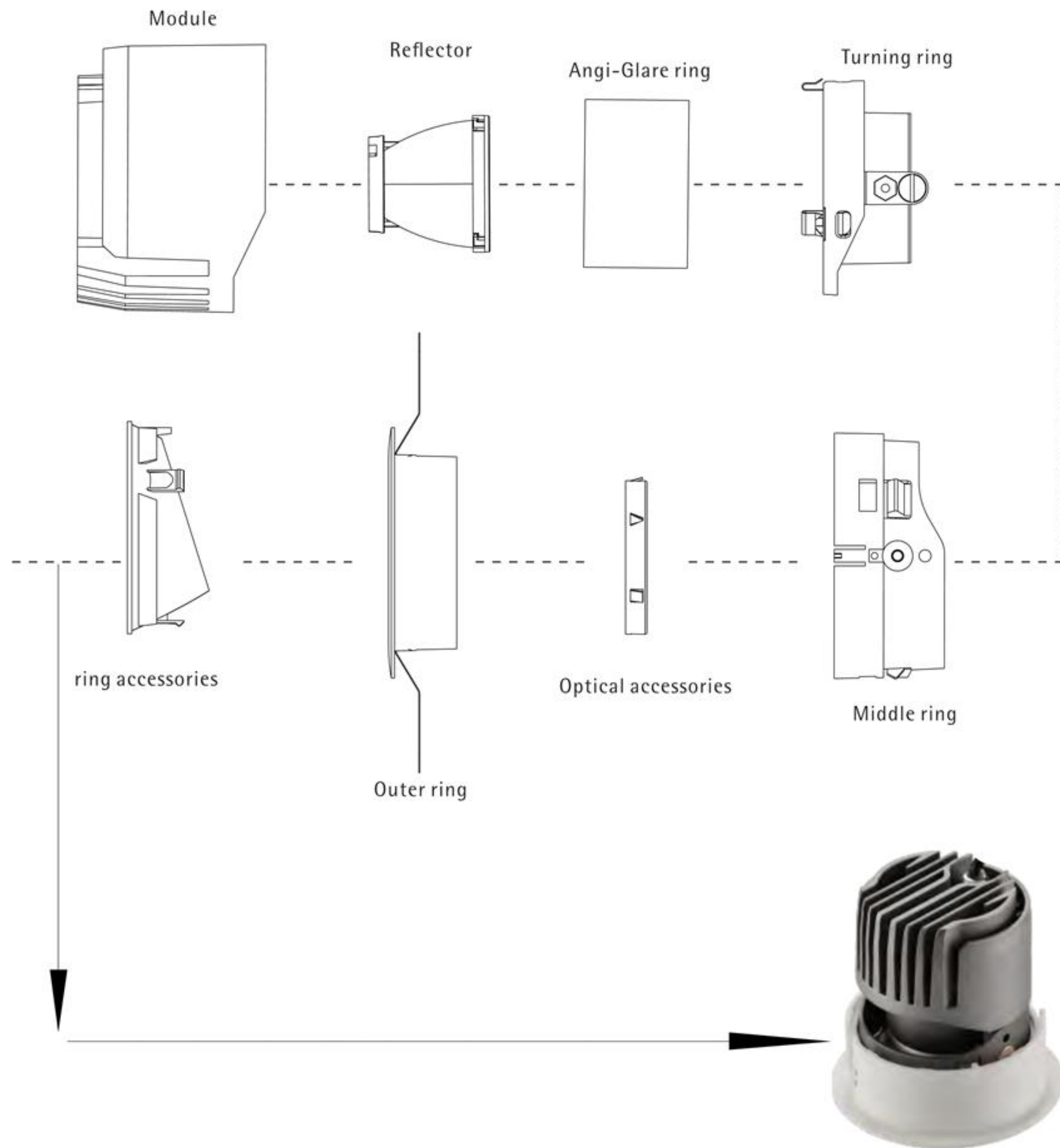


Iron Man series >>>>>

Iron Man series >>>>>

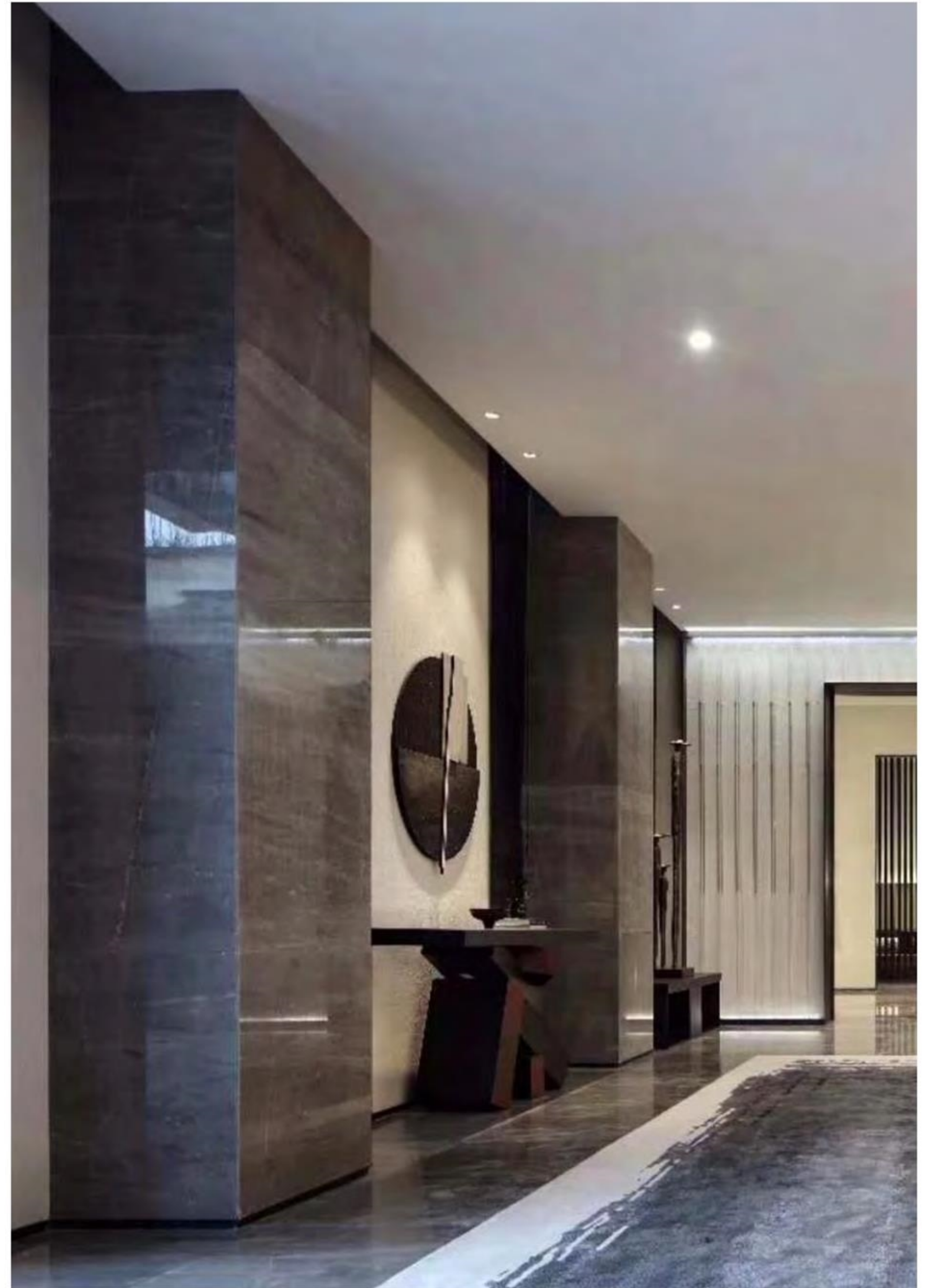
Recessed Spotlights

Recessed Spotlights



DALIX
085

DALIX
086



DALI Available

DALI Available

Iron Man series >>>>>

Iron Man series >>>>>

Recessed Spotlights

Recessed Spotlights



Standard installation



Trimless installation



DALIX
087

DALIX
088

Adjustable

Fixed

Polarized Wall Washer

Adjustable

Fixed

Polarized Wall Washer

Standard installation



 Φ55mm 5W/7W/9W
 Φ75mm 9W/12W/15W
 Φ95mm 18W/25W

Trimless installation



 Φ55mm 5W/7W/9W
 Φ75mm 9W/12W/15W
 Φ95mm 18W/25W

Standard installation



 Φ55mm 5W/7W/9W
 Φ75mm 9W/12W/15W
 Φ95mm 18W/25W

Trimless installation



 Φ55mm 5W/7W/9W
 Φ75mm 9W/12W/15W
 Φ95mm 18W/25W

Standard installation



 Φ75mm 9W/12W/15W
 Φ95mm 18W/25W

Trimless installation



 Φ75mm 9W/12W/15W
 Φ95mm 18W/25W

Standard installation



 55x55mm 5W/7W/9W
 75x75mm 9W/12W/15W
 95x95mm 18W/25W

Trimless installation



 55x55mm 5W/7W/9W
 75x75mm 9W/12W/15W
 95x95mm 18W/25W

Standard installation



 55x55mm 5W/7W/9W
 75x75mm 9W/12W/15W
 95x95mm 18W/25W

Trimless installation



 55x55mm 5W/7W/9W
 75x75mm 9W/12W/15W
 95x95mm 18W/25W

Standard installation



 75x75mm 9W/12W/15W
 95x95mm 18W/25W

Trimless installation



 75x75mm 9W/12W/15W
 95x95mm 18W/25W

DALI Available

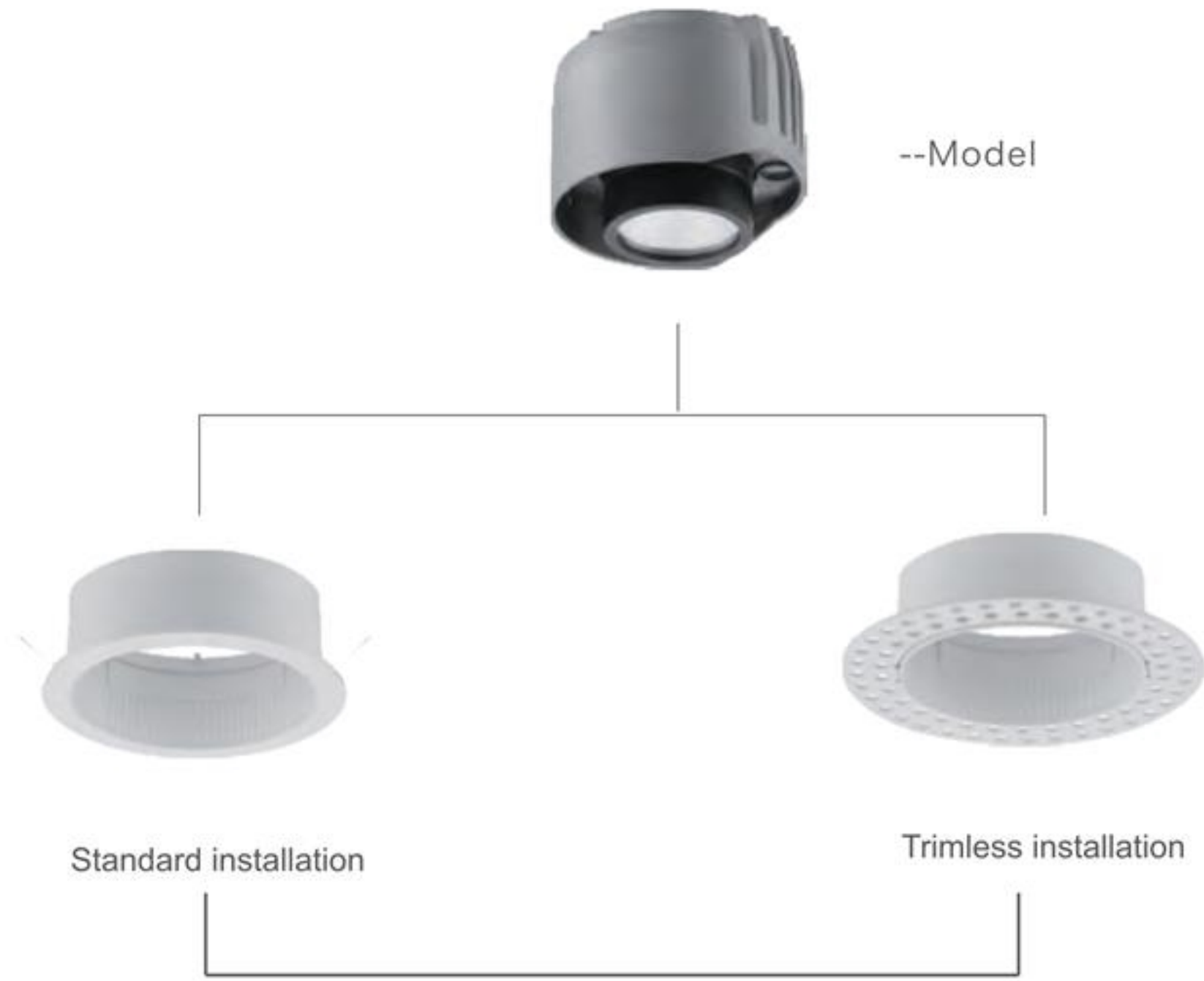
DALI Available

Iron Man series >>>>>

Iron Man series >>>>>

Recessed Spotlights

Recessed Spotlights



Fixed



Adjustable



Polarized Wall Washer



U hole



O hole

Round Fixed



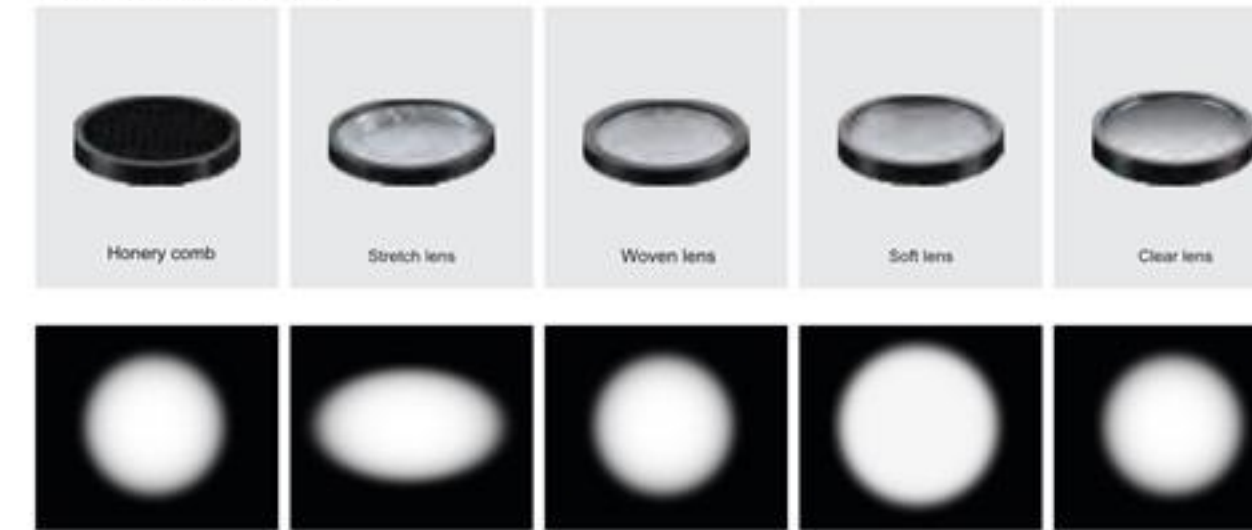
Round Adjustable



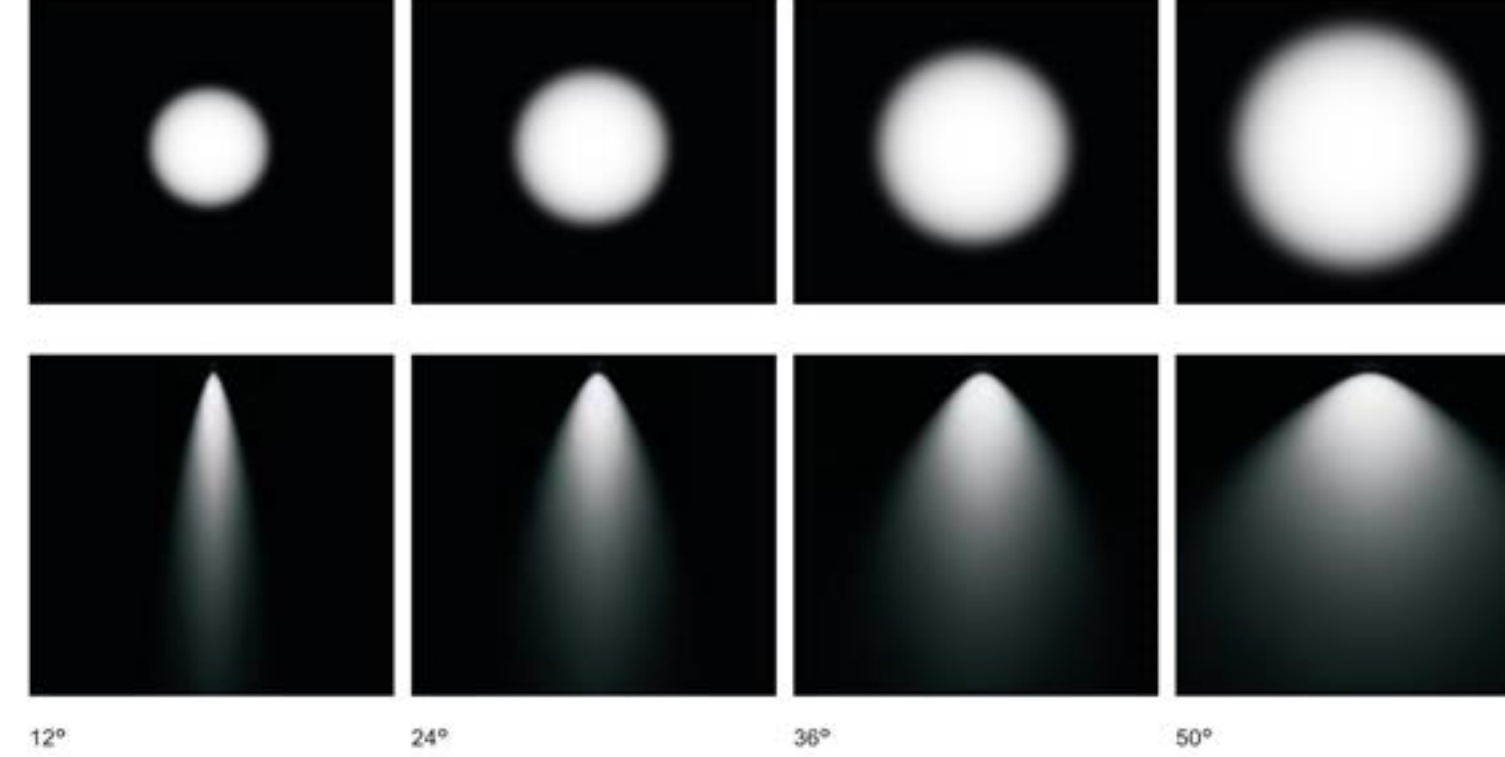
Round Polarized Wall Washer



Diversity of optical lenses



Beam angle



DAILUX 089

DAILUX 090

DAI Available

DAI Available

Iron Man series >>>>>

Iron Man series >>>>>

Recessed Spotlights

Recessed Spotlights

CUT OUT: $\Phi 55\text{mm}$

Downward ↓



CUT OUT: $\Phi 55\text{mm}$

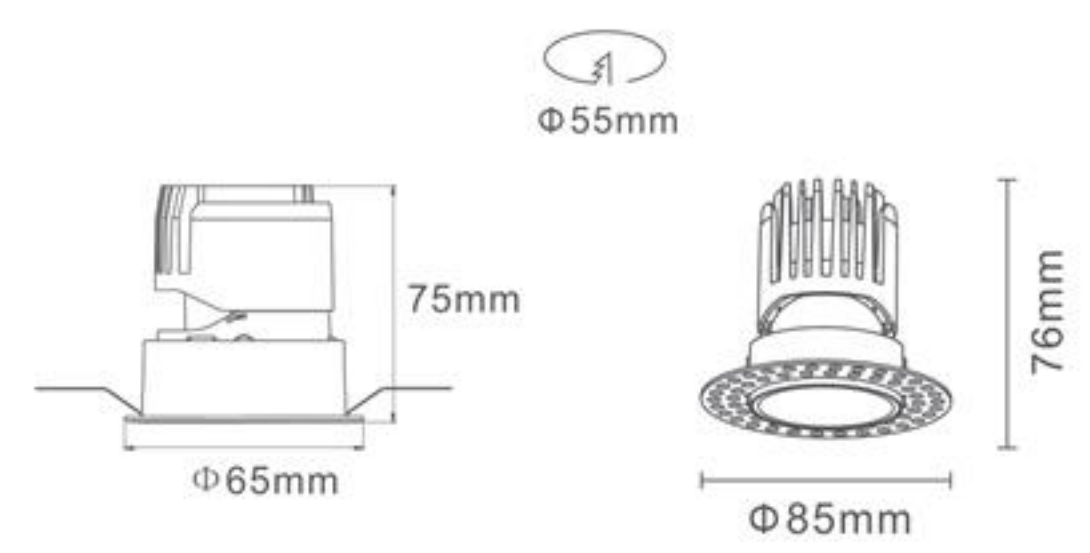
Max.L.R. 30°

350°



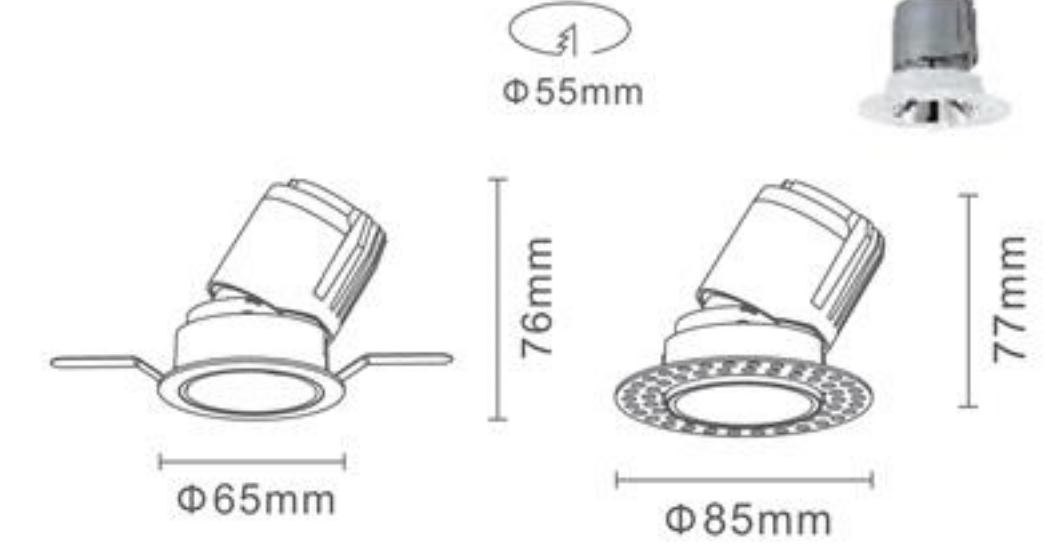
LED COB IP20

Power	5W/7W/9W
CCT	2700 3000K 4000K
CRI	≥90
Input voltage	110-240VAC
Beam Angel	15° 24° 36°
Color	Space Gray/White
Ceiling Thickness	3-20mm
Efficiency	75-80lm/w
Material	Aluminum+PMMA



LED COB IP20

Power	5W/7W/9W
CCT	2700 3000K 4000K
CRI	≥90
Input voltage	110-240VAC
Beam Angel	15° 24° 36°
Color	Space Gray/White
Ceiling Thickness	3-20mm
Efficiency	75-80lm/w
Material	Aluminum+PMMA



DALI 091

DALI 092

DALI Available

DALI Available

Face ring accessories



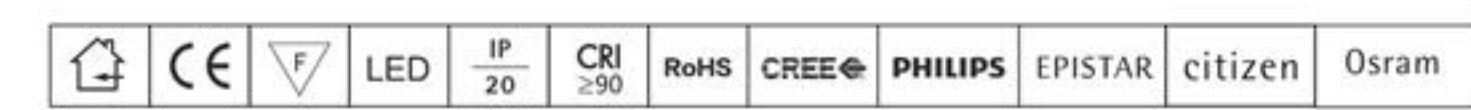
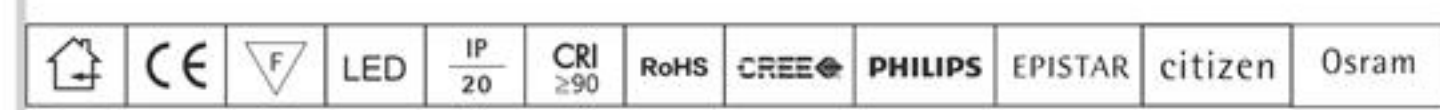
Optical accessories



Face ring accessories



Optical accessories



Iron Man series >>>>>

Iron Man series >>>>>

Recessed Spotlights

Recessed Spotlights

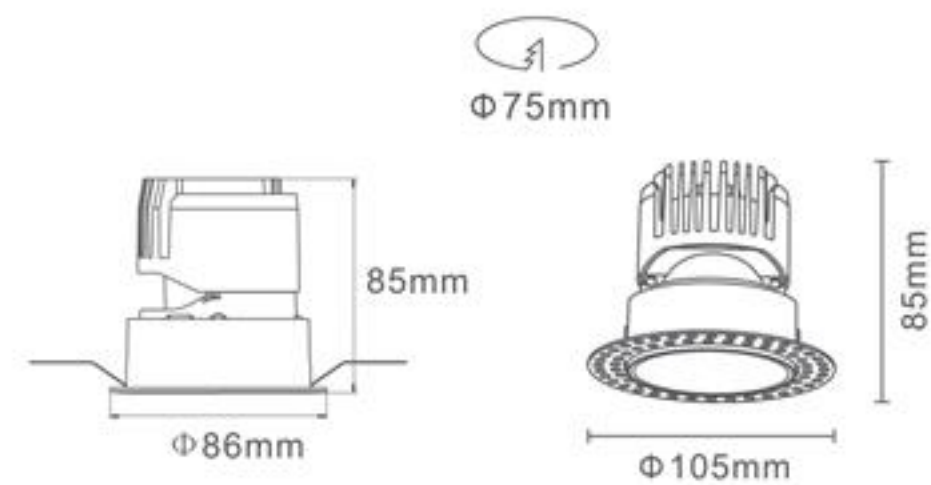
CUT OUT: $\Phi 75\text{mm}$

Downward ↓



LED COB IP20

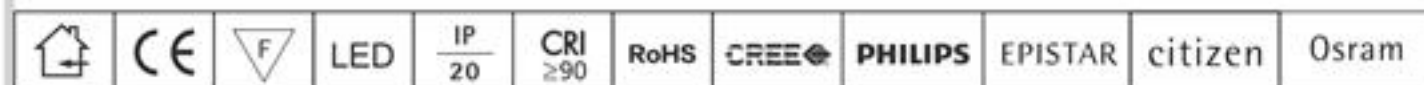
Power	9W/12W/15W
CCT	2700 3000K 4000K
CRI	≥90
Input voltage	110-240VAC
Beam Angel	15° 24° 36°
Color	Space Gray/White
Ceiling Thickness	3-20mm
Efficiency	75-80lm/w
Material	Aluminum+PMMA



Face ring accessories



Optical accessories



CUT OUT: $\Phi 75\text{mm}$

Max.L.R. 30°

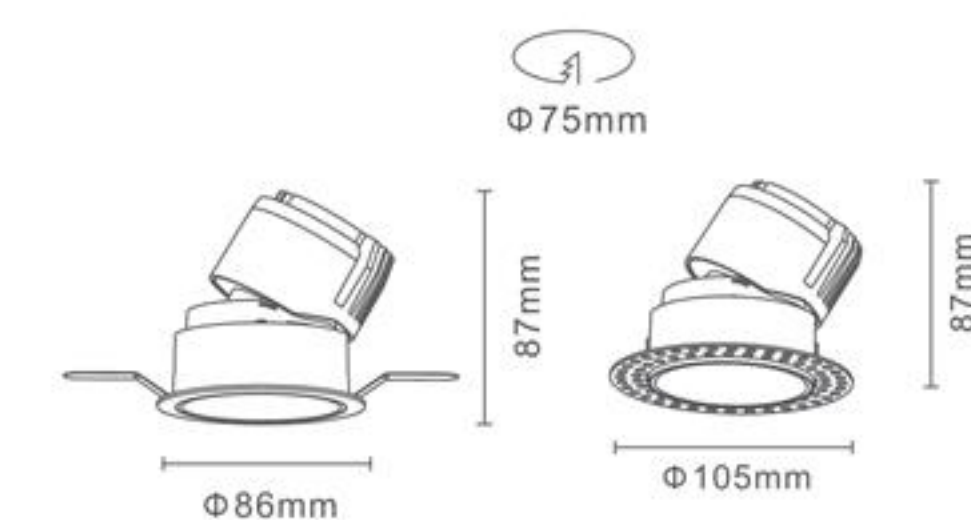


350°



LED COB IP20

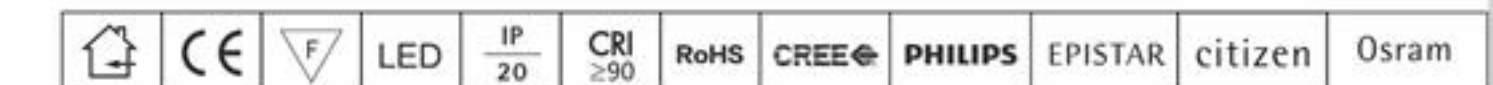
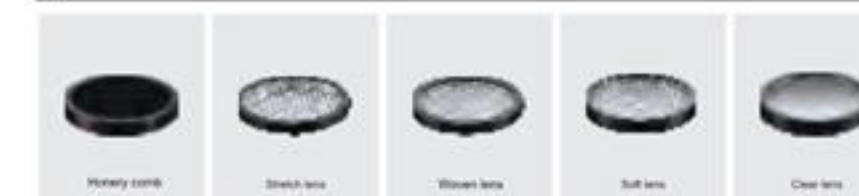
Power	9W/12W/15W
CCT	2700 3000K 4000K
CRI	≥90
Input voltage	110-240VAC
Beam Angel	15° 24° 36°
Color	Space Gray/White
Ceiling Thickness	3-20mm
Efficiency	75-80lm/w
Material	Aluminum+PMMA



Face ring accessories



Optical accessories



DALI 093

DALI 094

DALI Available

DALI Available

Iron Man series >>>>>

Iron Man series >>>>>

Recessed Spotlights

Recessed Spotlights

CUT OUT: $\Phi 95\text{mm}$

Downward ↓



CUT OUT: $\Phi 95\text{mm}$

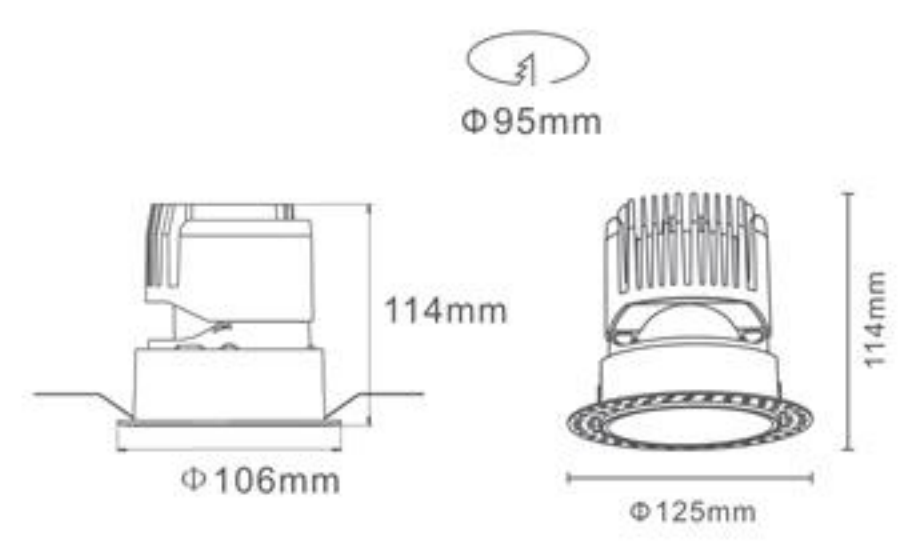
Max.L.R. 30°

350°



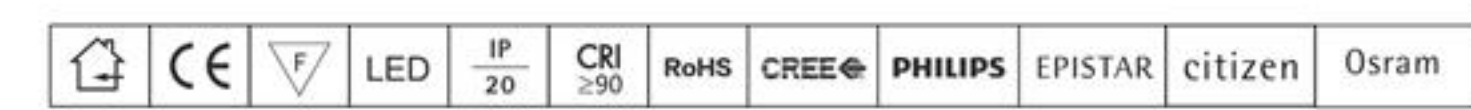
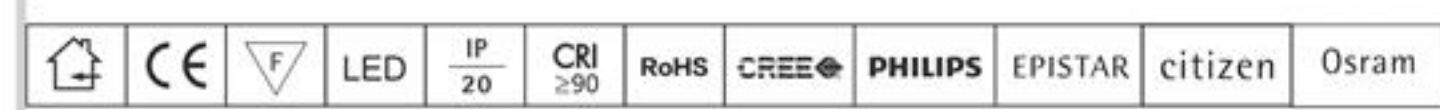
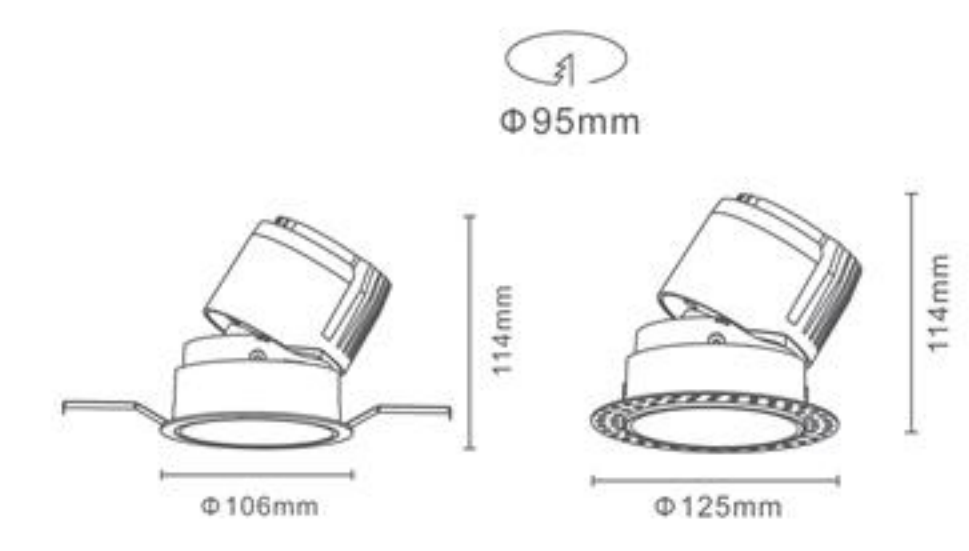
LED COB IP20

Power 18W/25W
 CCT 2700 3000K 4000K
 CRI ≥ 90
 Input voltage 110-240VAC
 Beam Angel 15° 24° 36°
 Color Space Gray/White
 Ceiling Thickness 3-20mm
 Efficiency 75-80lm/w
 Material Aluminum+PMMA



LED COB IP20

Power 18W/25W
 CCT 2700 3000K 4000K
 CRI ≥ 90
 Input voltage 110-240VAC
 Beam Angel 15° 24° 36°
 Color Space Gray/White
 Ceiling Thickness 3-20mm
 Efficiency 75-80lm/w
 Material Aluminum+PMMA



DALI Available

DALI Available

DALIX 095

DALIX 096

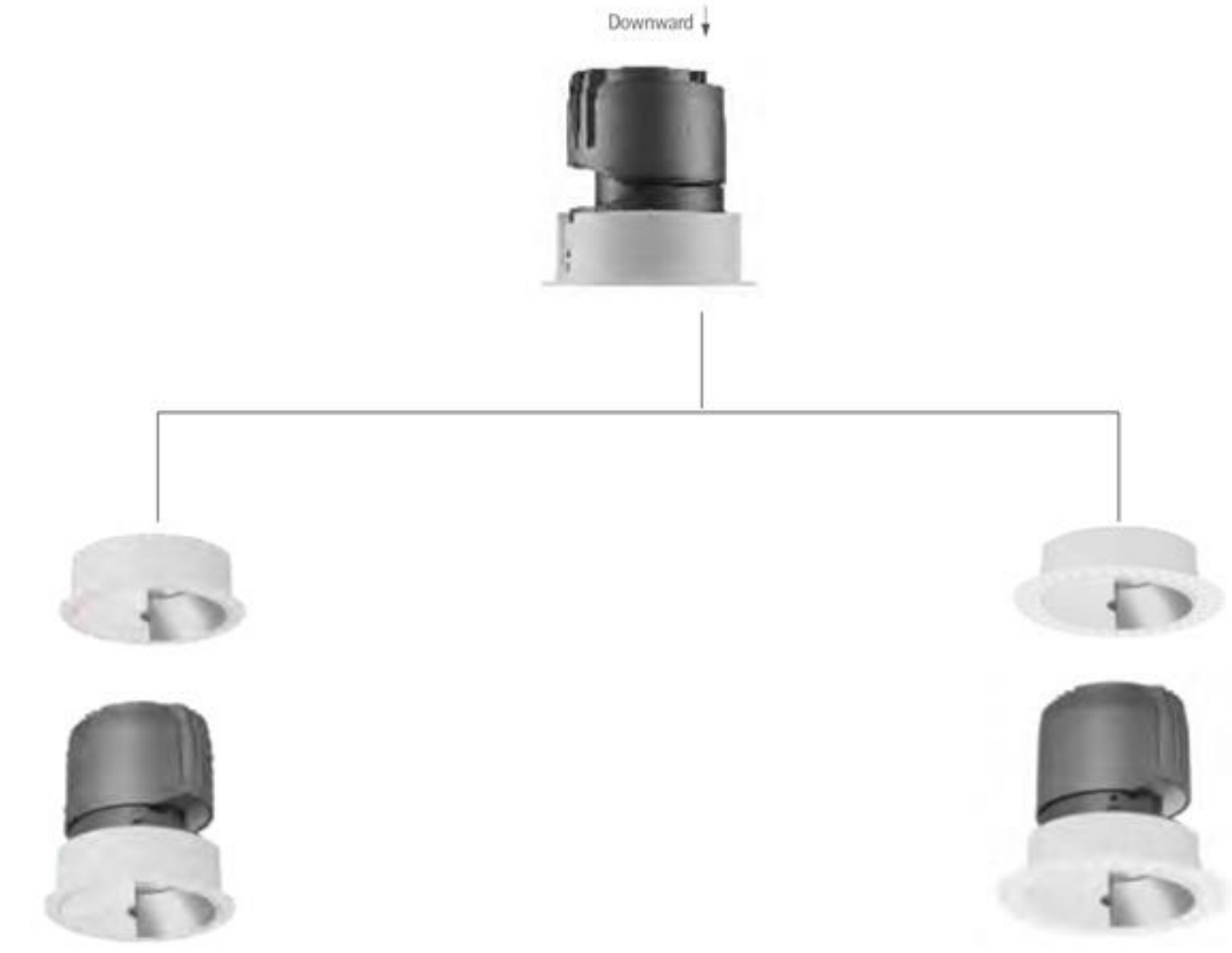
Iron Man series >>>>>

Iron Man series >>>>>

Recessed Spotlights

Recessed Spotlights

Polarized Wall Washer



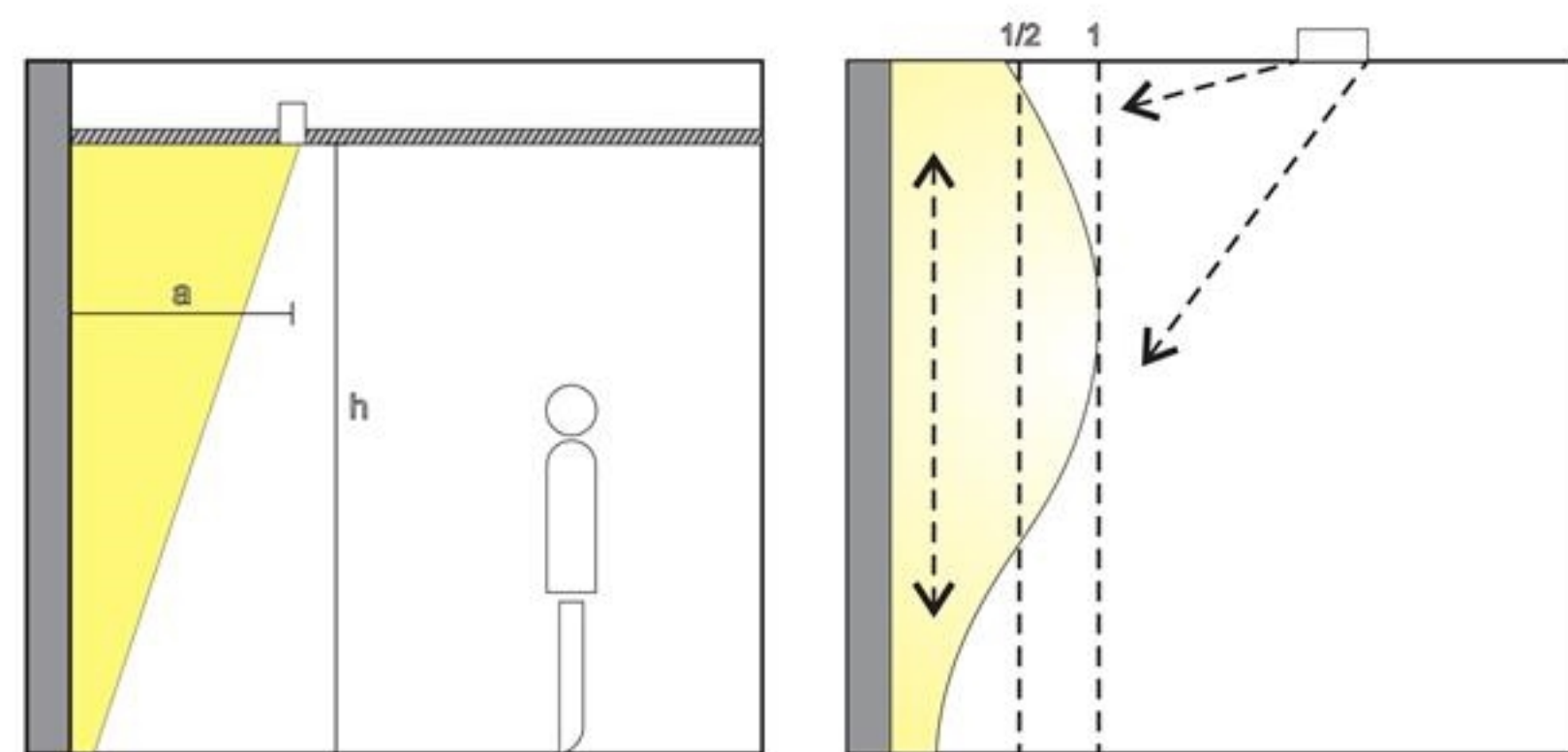
BJ-JD8674P-9
BJ-JD8674P-12
BJ-JD8674P-15

BJ-WBJD8674P-9
BJ-WBJD8674P-12
BJ-WBJD8674P-15

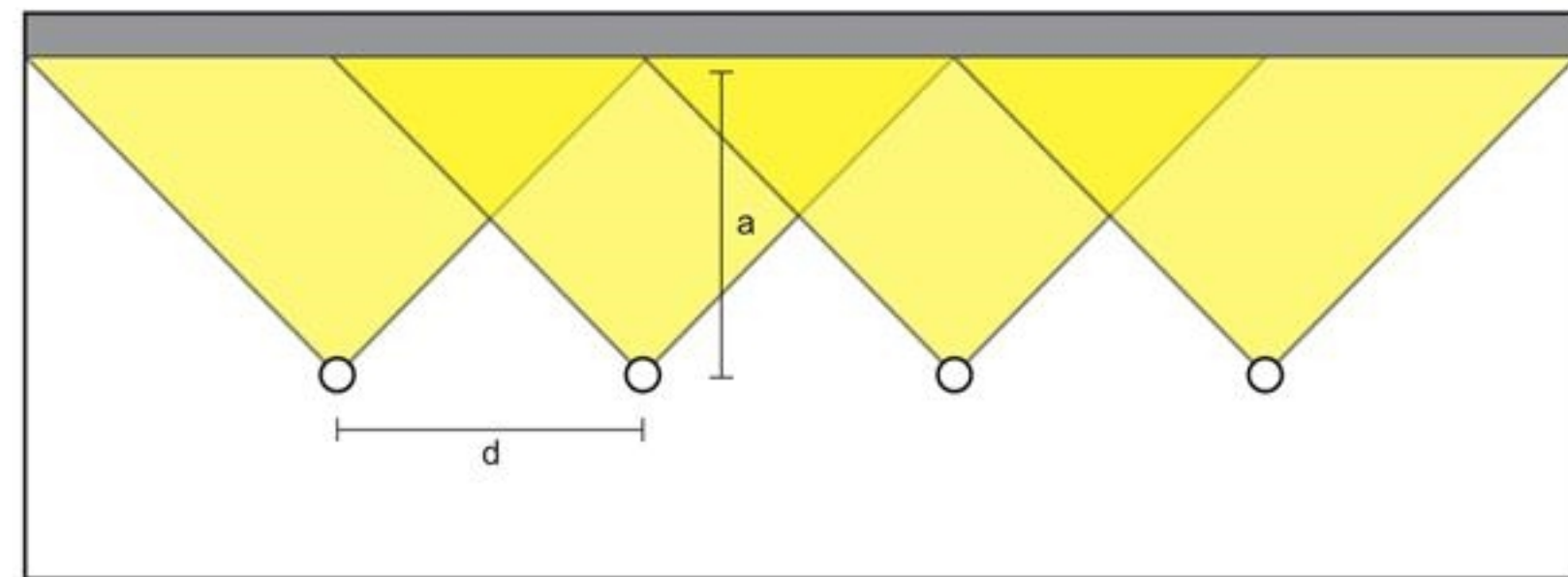
BJ-JD10695P-18
BJ-JD10695P-25

BJ-WBJD10695P-18
BJ-WBJD10695P-25

Installation specification



The distance from the fixture to the wall (a) is generally 1/3 of the height of the wall (h) and the distance between the fixtures (d) is 0.8 meters, achieving a very uniform wall washing effect.

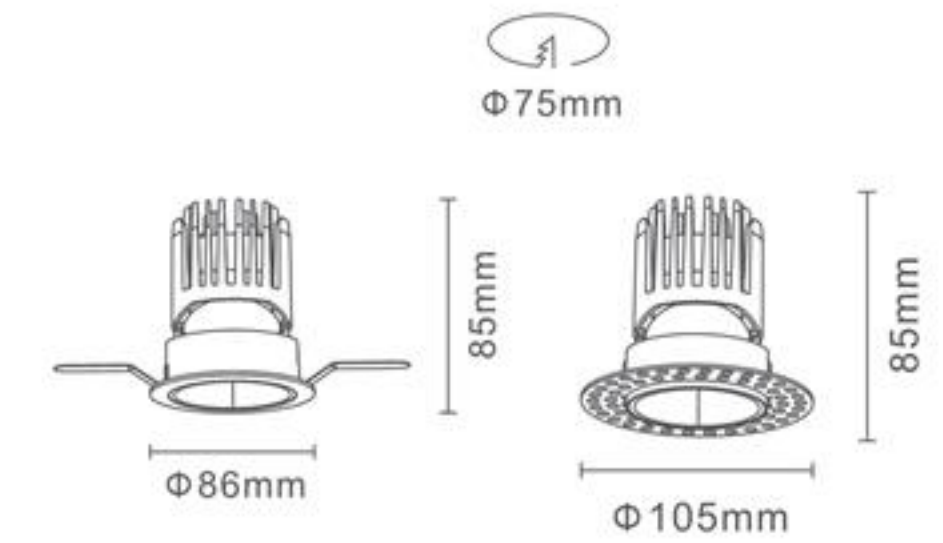


a:h=1:3

a=d

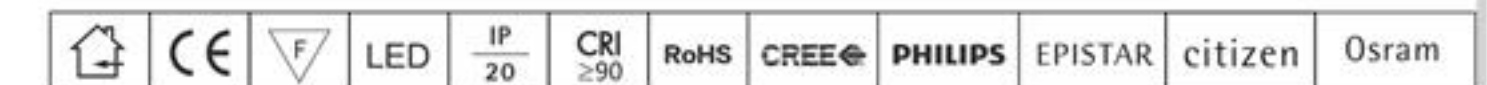
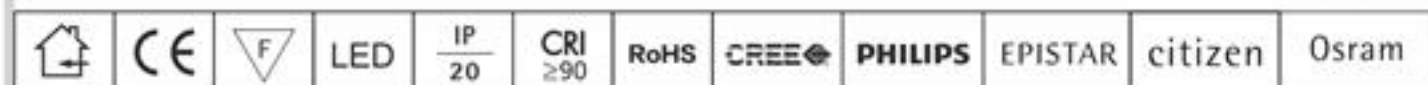
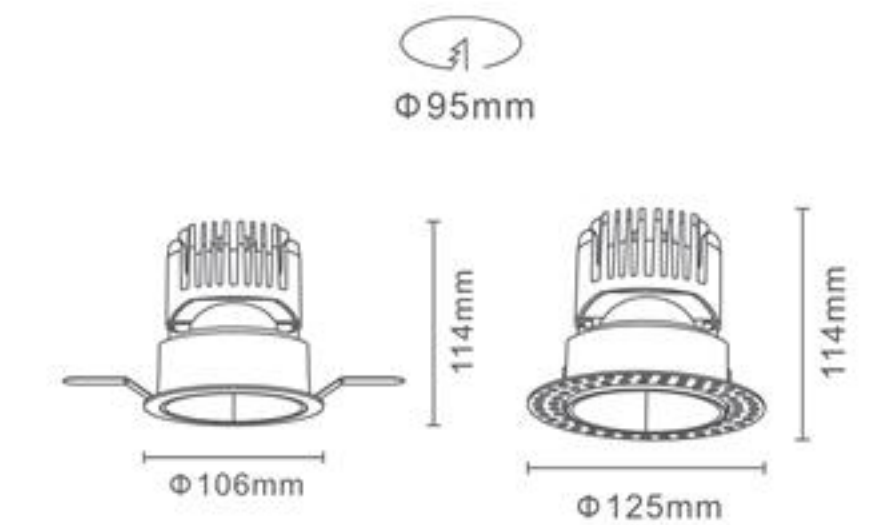
LED COB IP20

Power	9W/12W/15W
CCT	2700 3000K 4000K
CRI	≥90
Input voltage	110-240VAC
Beam Angel	Polarization
Color	Space Gray/White
Ceiling Thickness	3-20mm
Efficiency	75-80lm/w
Material	Aluminum+PMMA



LED COB IP20

Power	18W/25W
CCT	2700 3000K 4000K
CRI	≥90
Input voltage	110-240VAC
Beam Angel	Polarization
Color	Space Gray/White
Ceiling Thickness	3-20mm
Efficiency	75-80lm/w
Material	Aluminum+PMMA



DAI LUX 097

DAI LUX 098

DAI L Available

DAI L Available

Iron Man series >>>>>

Iron Man series >>>>>

Recessed Spotlights

Recessed Spotlights

CUT OUT: 55*55mm

Downward ↓



CUT OUT: Ø55mm

Max.L.R. 30°

350°

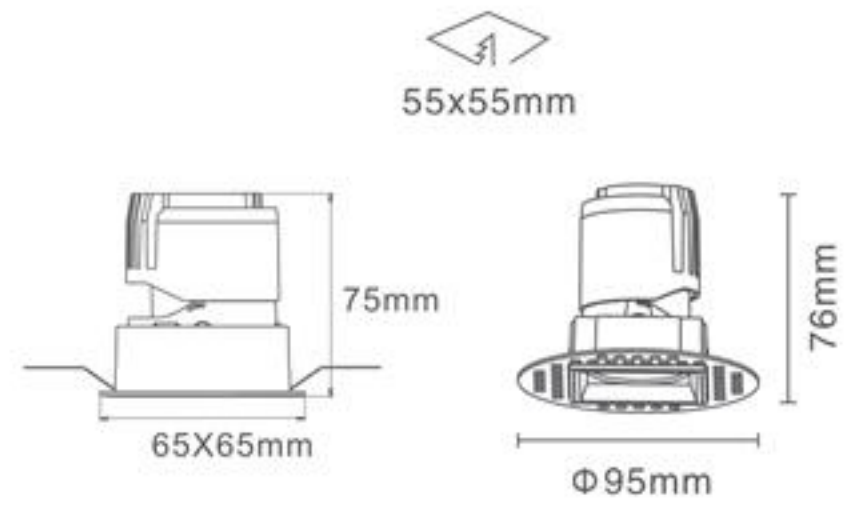


DALIX
101

DALIX
102

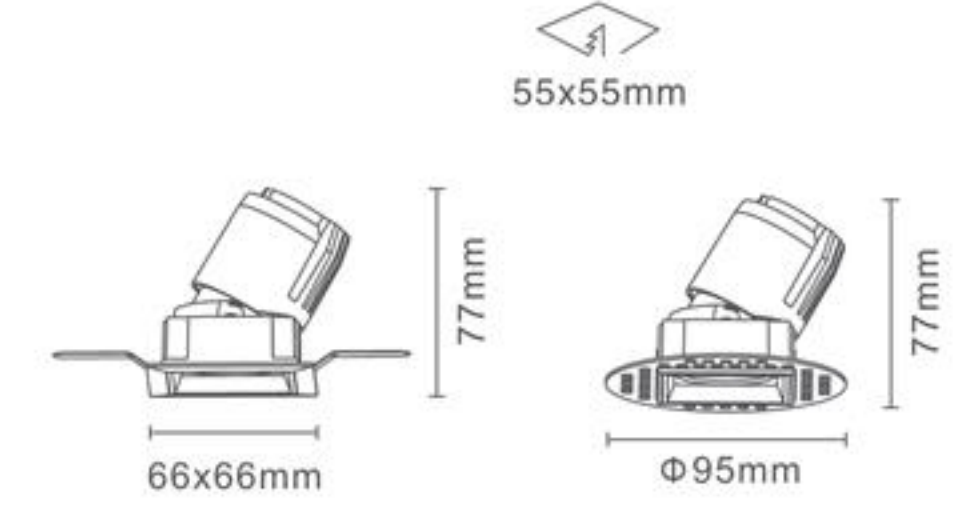
LED COB IP20

Power	5W/7W/9W
CCT	2700 3000K 4000K
CRI	≥90
Input voltage	110-240VAC
Beam Angel	15° 24° 36°
Color	Space Gray/White
Ceiling Thickness	3-20mm
Efficiency	75-80lm/w
Material	Aluminum+PMMA



LED COB IP20

Power	5W/7W/9W
CCT	2700 3000K 4000K
CRI	≥90
Input voltage	110-240VAC
Beam Angel	15° 24° 36°
Color	Space Gray/White
Ceiling Thickness	3-20mm
Efficiency	75-80lm/w
Material	Aluminum+PMMA



Face ring accessories



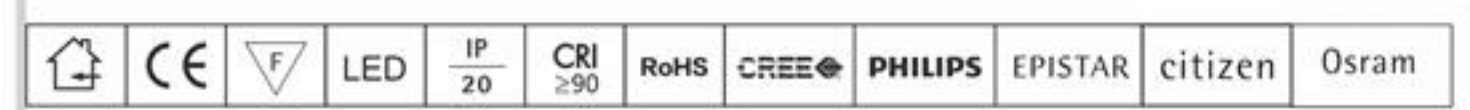
Optical accessories



Face ring accessories



Optical accessories



DALI Available

DALI Available

Iron Man series >>>>>

Iron Man series >>>>>

Recessed Spotlights

Recessed Spotlights

CUT OUT: 75*75mm

Downward ↓



CUT OUT: 75X75mm

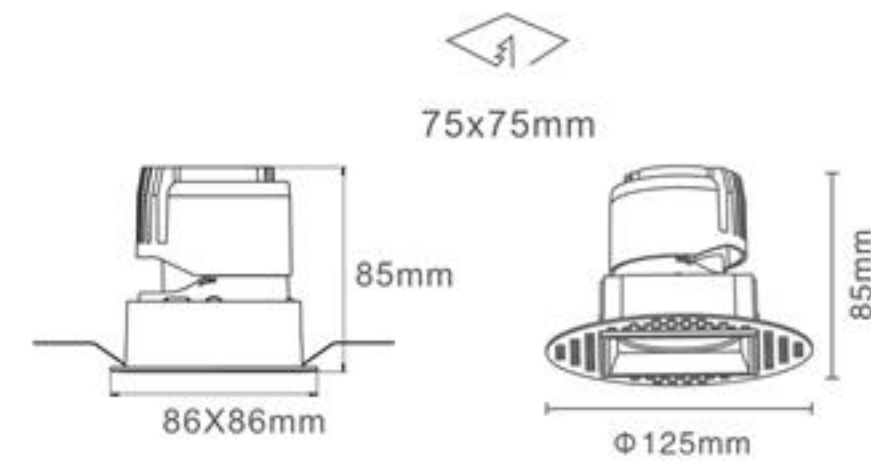
Max.L.R. 30°

350°



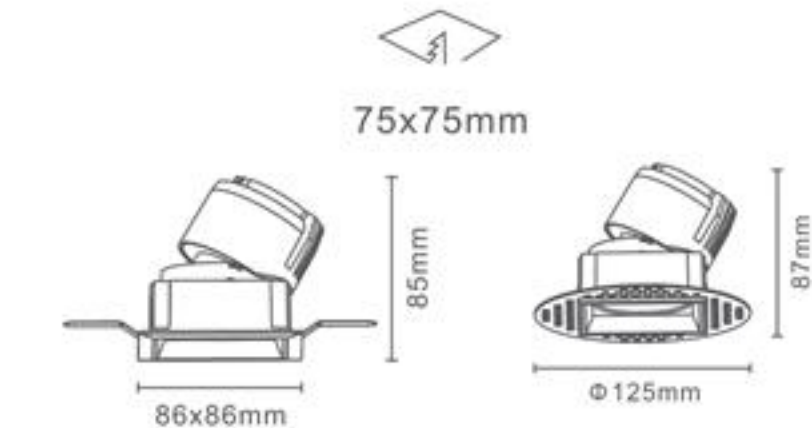
LED COB IP20

Power: 9W/12W/15W
 CCT: 2700 3000K 4000K
 CRI: ≥90
 Input voltage: 110-240VAC
 Beam Angel: 15° 24° 36°
 Color: Space Gray/White
 Ceiling Thickness: 3-20mm
 Efficiency: 75-80lm/w
 Material: Aluminum+PMMA



LED COB IP20

Power: 9W/12W/15W
 CCT: 2700 3000K 4000K
 CRI: ≥90
 Input voltage: 110-240VAC
 Beam Angel: 15° 24° 36°
 Color: Space Gray/White
 Ceiling Thickness: 3-20mm
 Efficiency: 75-80lm/w
 Material: Aluminum+PMMA



Face ring accessories



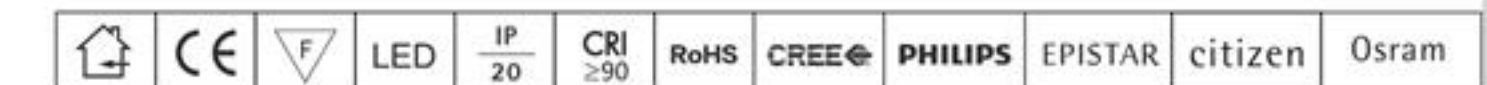
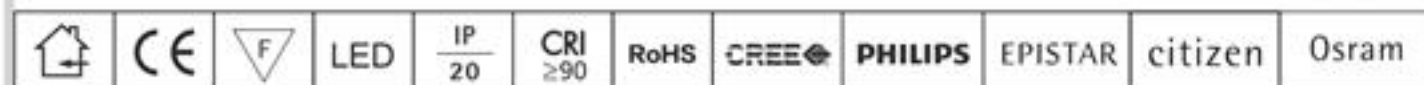
Optical accessories



Face ring accessories



Optical accessories



DALI 103

DALI 104

DALI Available

DALI Available

Iron Man series >>>>>

Iron Man series >>>>>

Recessed Spotlights

Recessed Spotlights

CUT OUT: 95*95mm

Downward ↓



CUT OUT: 95X95mm

Max.L.R. 30°

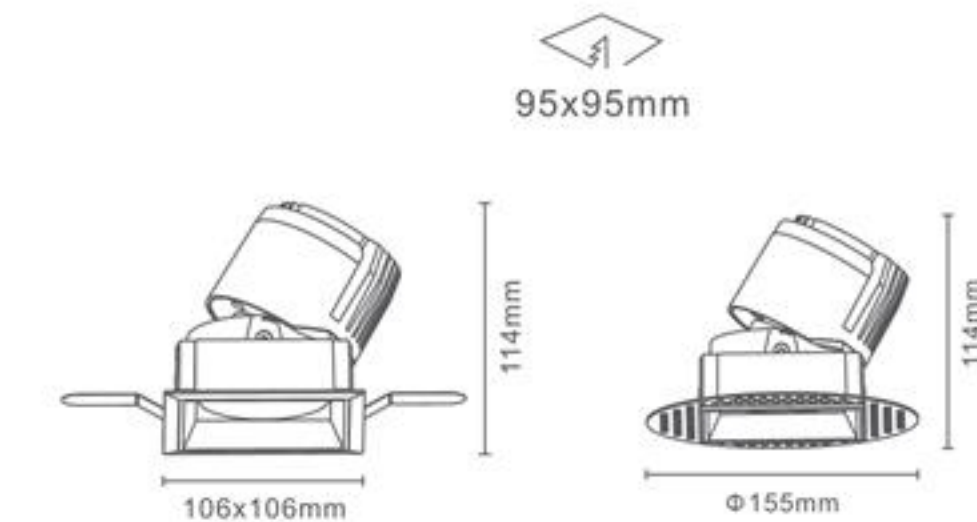
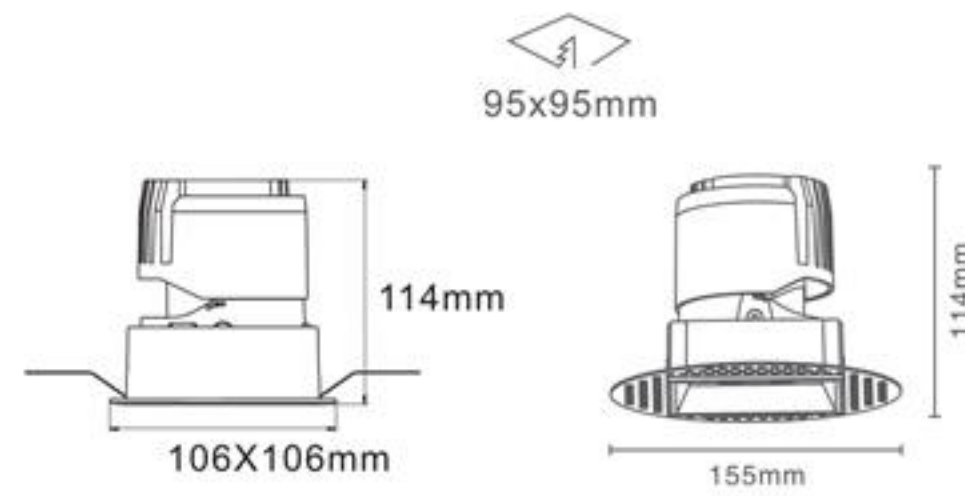


LED COB IP20

Power 18W/25W
 CCT 2700 3000K 4000K
 CRI ≥90
 Input voltage 110-240VAC
 Beam Angel 15° 24° 36°
 Color Space Gray/White
 Ceiling Thickness 3-20mm
 Efficiency 75-80lm/w
 Material Aluminum+PMMA

LED COB IP20

Power 18W/25W
 CCT 2700 3000K 4000K
 CRI ≥90
 Input voltage 110-240VAC
 Beam Angel 15° 24° 36°
 Color Space Gray/White
 Ceiling Thickness 3-20mm
 Efficiency 75-80lm/w
 Material Aluminum+PMMA



Face ring accessories



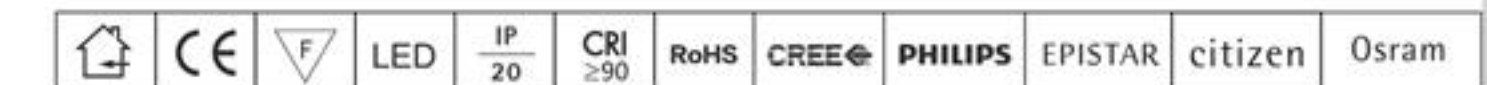
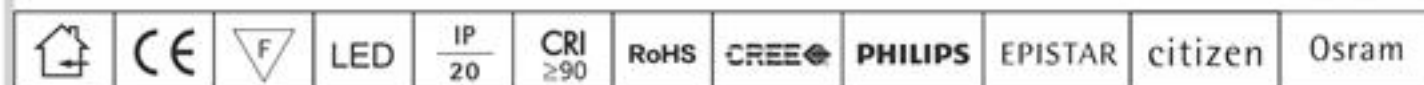
Face ring accessories



Optical accessories



Optical accessories



DALI 105

DALI 106

DALI Available

DALI Available

Iron Man series >>>>>

Iron Man series >>>>>

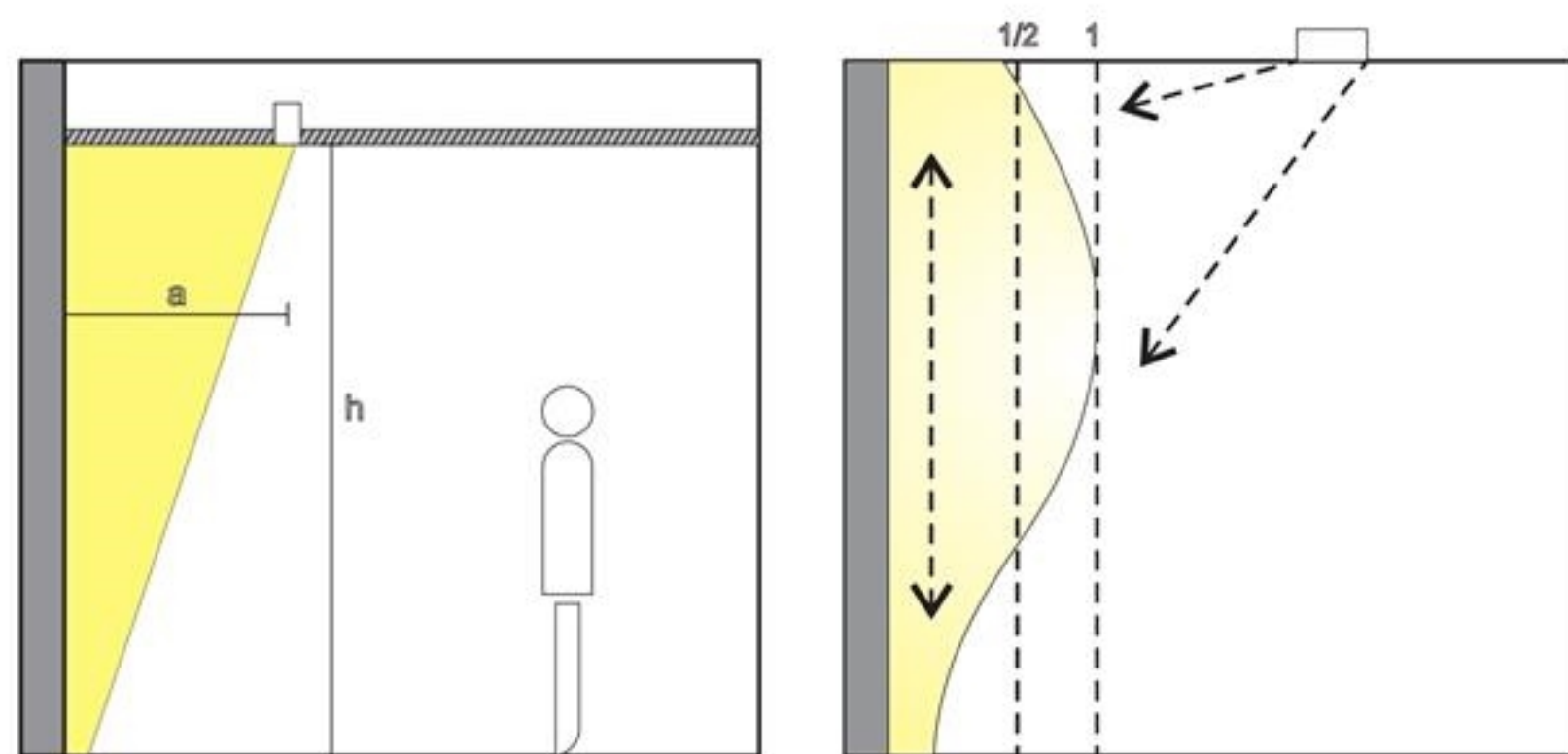
Recessed Spotlights

Recessed Spotlights

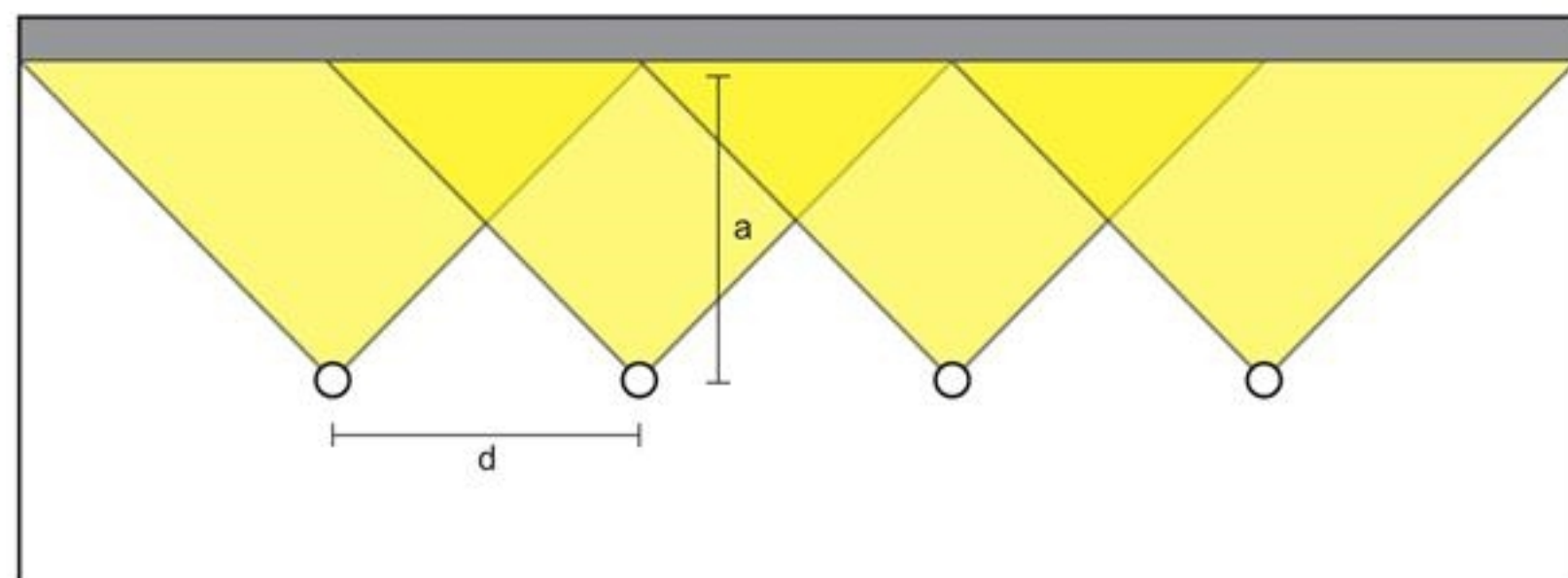
Polarized Wall Washer



Installation specification

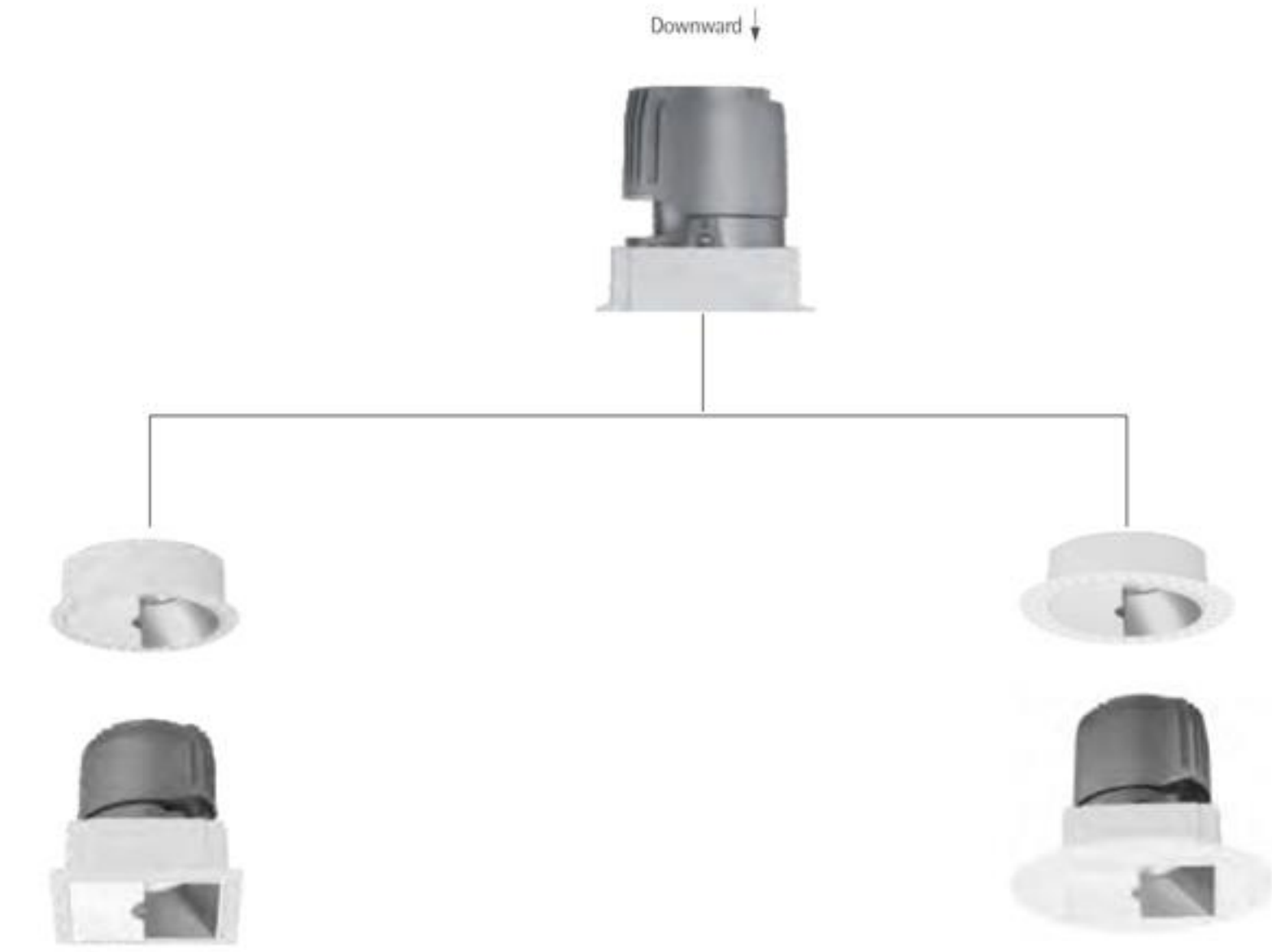


The distance from the fixture to the wall (a) is generally 1/3 of the height of the wall (h) and the distance between the fixtures (d) is 0.8 meters, achieving a very uniform wall washing effect.



a:h=1:3

a=d



BJ-JD8674RP-9
BJ-JD8674RP-12
BJ-JD8674RP-15

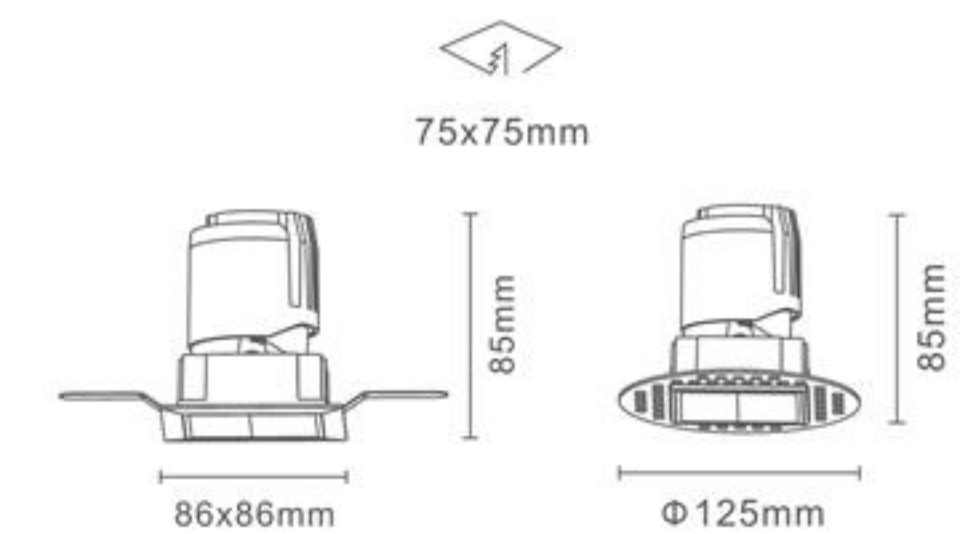
BJ-WBJD8674RP-9
BJ-WBJD8674RP-12
BJ-WBJD8674RP-15

BJ-JD10695RP-18
BJ-JD10695RP-25

BJ-WBJD10695RP-18
BJ-WBJD10695RP-25

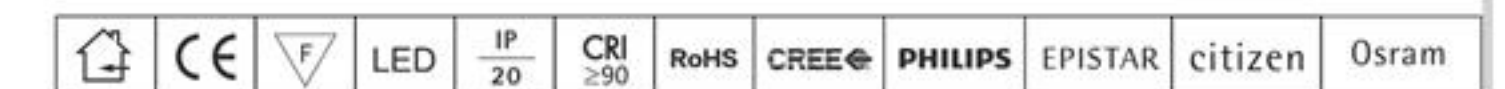
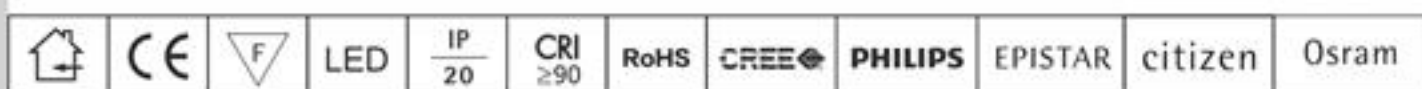
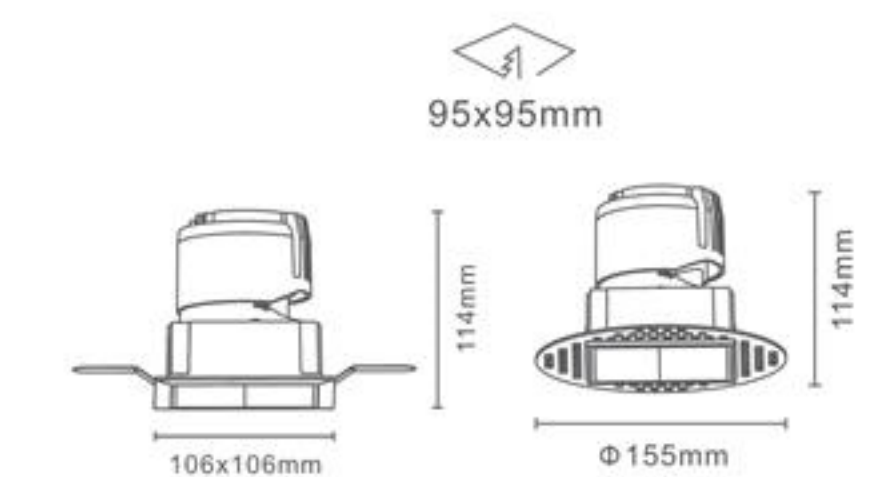
LED COB IP20

Power	9W/12W/15W
CCT	2700 3000K 4000K
CRI	≥90
Input voltage	110-240VAC
Beam Angel	Polarization
Color	Space Gray/White
Ceiling Thickness	3-20mm
Efficiency	75-80lm/w
Material	Aluminum+PMMA



LED COB IP20

Power	18W/25W
CCT	2700 3000K 4000K
CRI	≥90
Input voltage	110-240VAC
Beam Angel	Polarization
Color	Space Gray/White
Ceiling Thickness	3-20mm
Efficiency	75-80lm/w
Material	Aluminum+PMMA



DALIX 107

DALIX 108

DALI Available

DALI Available

Sunspot series >>>>>

Sunspot series >>>>>

Recessed Spotlights

Recessed Spotlights



DALIX 109

DALIX 110



Sunspot series

LED

DEEP ANTIGLARE
DESIGN REFLECTOR BLACKLIGHT

ONE MORE STEP TOWARD
BRILLIANT DOWNLIGHT MODULE

.....



BJ-JD9580E

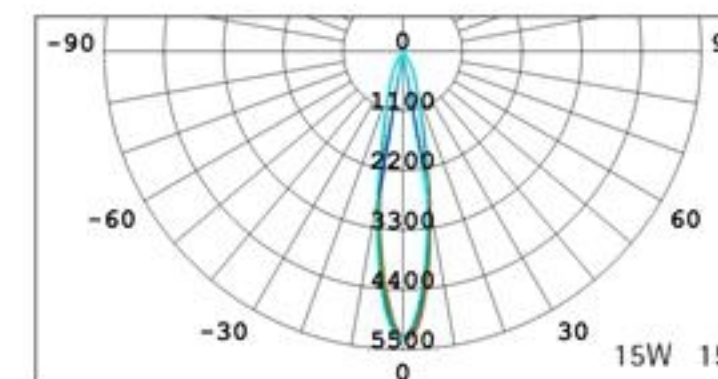
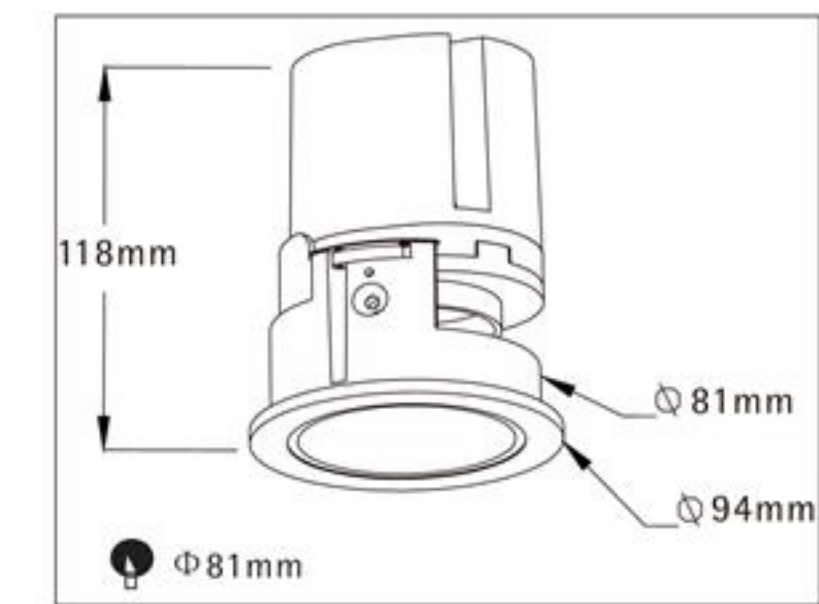


BJ-JD9580D

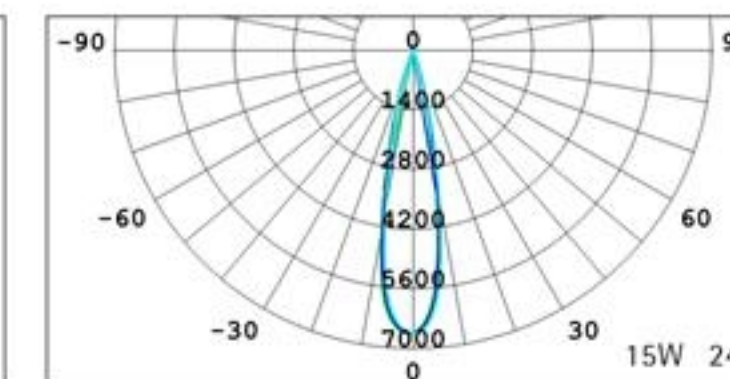


BJ-JD9580F

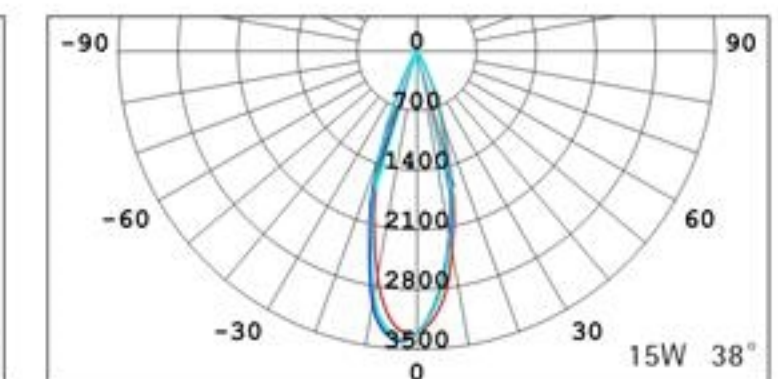
LED COB	IP54
Power	10W/15W
CCT	2700 3000K 4000K
CRI	>90
Input voltage	110-240VAC
Beam Angel	15° 24° 38°
Color	Black/White
Ceiling Thickness	3-20mm
Size	Φ94mm H:118mm
Cut out	Φ81mm
Efficiency	75-80lm/w



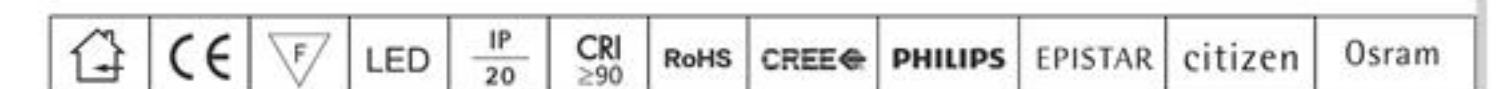
光通量: 364.5 lm	15W 15°
1m	3732.54851x 34.44cm
2m	932.913721x 68.89cm
3m	414.6609.41x 103.33cm
4m	233.2342.81x 137.77cm



光通量: 406.7 lm	15W 24°
1m	3426.48541x 37.07cm
2m	856.612131x 74.15cm
3m	380.7539.31x 111.22cm
4m	214.1303.31x 148.29cm



光通量: 363.3 lm	15W 38°
1m	1406.20921x 56.04cm
2m	351.6522.91x 112.08cm
3m	156.3232.41x 168.12cm
4m	87.90130.71x 224.15cm



DALI Available

DALI Available

Sunspot series >>>>>

Sunspot series >>>>>

Recessed Spotlights

Recessed Spotlights



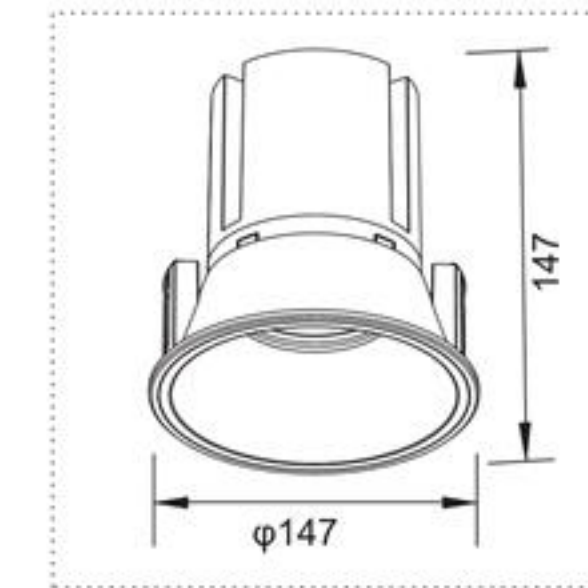
BJ-JD132115E



BJ-JD145135A

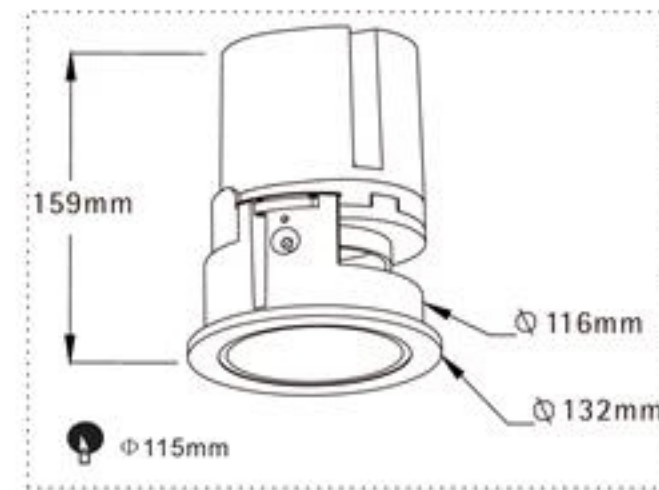


LED COB IP54	
Power	20W/35W
CCT	2700 3000K 4000K
CRI	>90
Input voltage	110-240VAC
Beam Angel	15° 24° 38°
Color	Black/White
Ceiling Thickness	3-20mm
Size	Φ147mm H:150mm
Cut out	Φ135mm
Efficiency	75-80lm/w



DAILUX
111

DAILUX
112

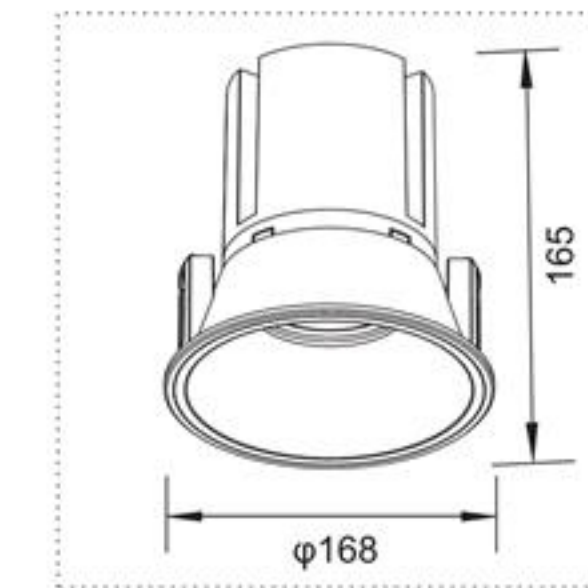


LED COB IP54	
Power	20W/27W
CCT	2700 3000K 4000K
CRI	>90
Input voltage	110-240VAC
Beam Angel	15° 24° 38°
Color	Black/White
Ceiling Thickness	3-20mm
Size	Φ132mm H:159mm
Cut out	Φ115mm
Efficiency	75-80lm/w



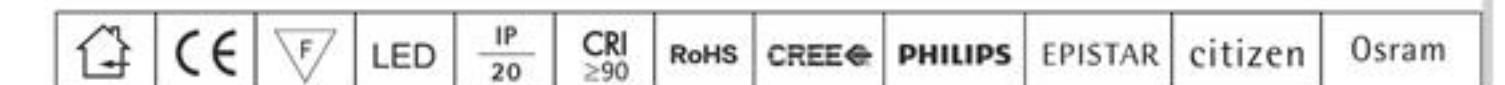
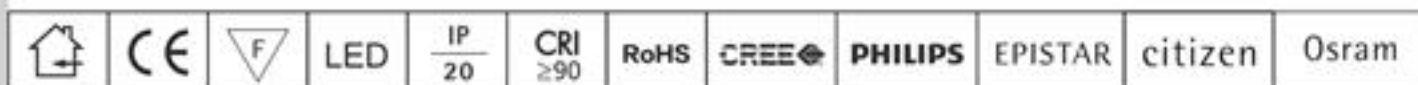
BJ-JD168155A

LED COB IP54	
Power	20W/35W
CCT	2700 3000K 4000K
CRI	>90
Input voltage	110-240VAC
Beam Angel	15° 24° 38°
Color	Black/White
Ceiling Thickness	3-20mm
Size	Φ168mm H:165mm
Cut out	Φ155mm
Efficiency	75-80lm/w



DALI Available

DALI Available



Maybach series >>>>>

Maybach series >>>>>

Recessed Spotlights

Recessed Spotlights



Maybach



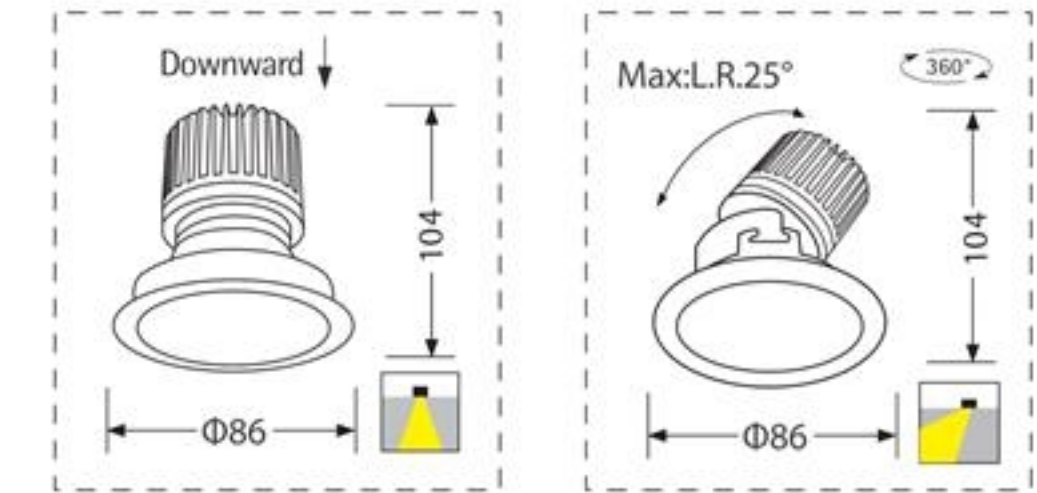
BJ-JD8675A-10W/9W



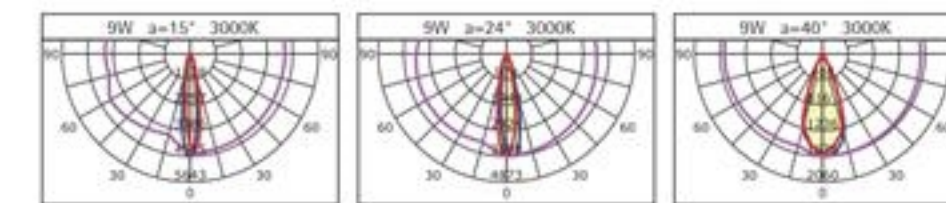
BJ-JD8675E-10W/9W

LED COB IP20

- Power 10W/9W
- CCT 2700 3000K 4000K 5000K
- CRI >90
- Input voltage 110-240VAC
- Beam Angel 15° 24° 45°
- Color Black/White/Golden
- Ceiling Thickness 3-20mm
- Size Φ 86mm H:104mm
- Cut out Φ 75mm
- Efficiency 70-80lm/w



9W

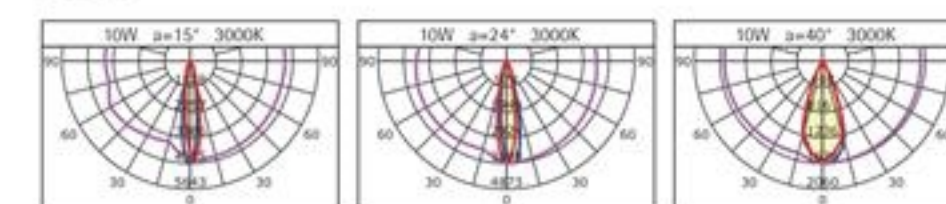


9W 15°				
Lux				
h(m)	d(m)	Em	Emax	
1	0.29	2804	4503	
2	0.57	701	1125	
3	0.86	311	500	

9W 24°				
Lux				
h(m)	d(m)	Em	Emax	
1	0.36	2567	3614	
2	0.72	641	903	
3	1.08	285	401	

9W 40°				
Lux				
h(m)	d(m)	Em	Emax	
1	0.83	607	1636	
2	1.66	151	408	
3	2.49	67	180	

10W



10W 15°				
Lux				
h(m)	d(m)	Em	Emax	
1	0.29	2804	4503	
2	0.57	701	1125	
3	0.86	311	500	

10W 24°				
Lux				
h(m)	d(m)	Em	Emax	
1	0.36	2567	3614	
2	0.72	641	903	
3	1.08	285	401	

10W 40°				
Lux				
h(m)	d(m)	Em	Emax	
1	0.83	607	1636	
2	1.66	151	408	
3	2.49	67	180	



Display case

DAILUX 113

DAILUX 114

DALI Available

DALI Available

Maybach series >>>>>

Maybach series >>>>>

Recessed Spotlights

Recessed Spotlights



BJ-JD8675DL-10W/9W



BJ-JD8675DS-10W/9W



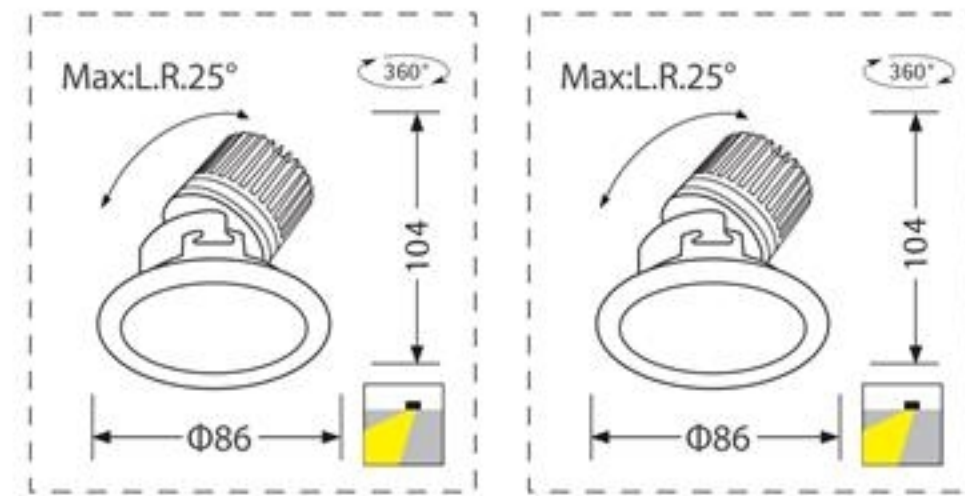
BJ-JD8675F-10W/9W



BJ-JD8675HL-10W/9W

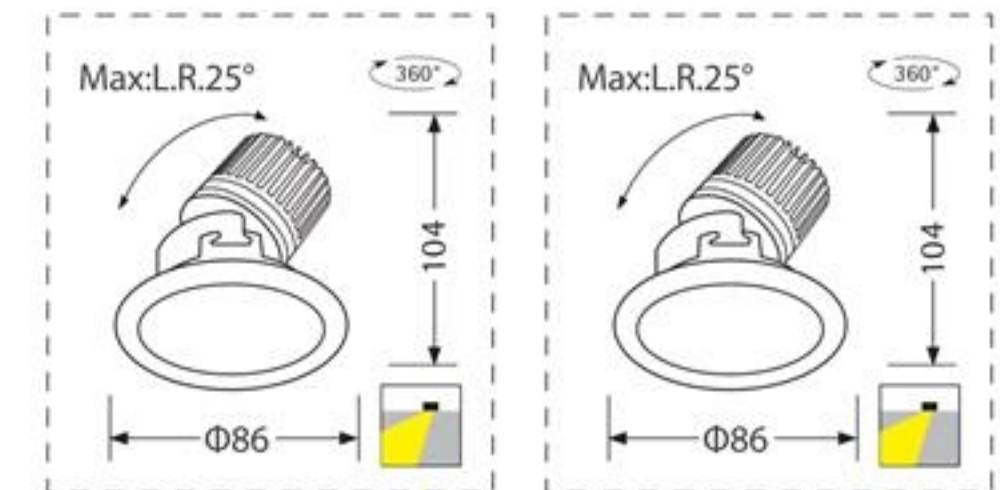
LED COB IP 20

Power	10W/9W
CCT	2700 3000K 4000K 5000K
CRI	>90
Input voltage	110-240VAC
Beam Angel	15° 24° 40°
Color	Black/White
Ceiling Thickness	3-20mm
Size	Φ86mm H:104mm
Cut out	Φ75mm
Efficiency	70-80lm/w



LED COB IP20

Power	10W/9W
CCT	2700 3000K 4000K 5000K
CRI	>90
Input voltage	110-240VAC
Beam Angel	15° 24° 40°
Color	Black/White
Ceiling Thickness	3-20mm
Size	Φ86mm H:104mm
Cut out	Φ75mm
Efficiency	70-80lm/w



10W

10W 15°					10W 24°					10W 40°				
Lux					Lux					Lux				
h(m)	d(m)	Em	Emax	Lux	h(m)	d(m)	Em	Emax	Lux	h(m)	d(m)	Em	Emax	Lux
1	0.3	2102	2626	1450	1	0.35	1963	2872	1450	1	0.69	991	1450	1450
2	0.6	525	656	362	2	0.71	490	718	362	2	1.38	247	362	362
3	0.91	233	291	141	3	1.06	218	319	141	3	2.07	110	141	141

9W

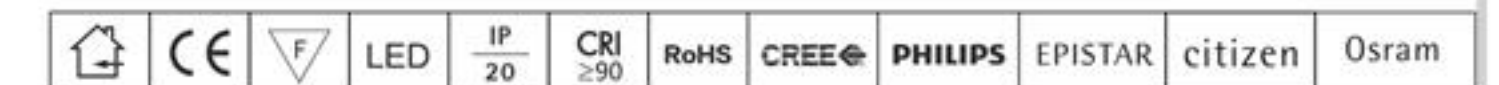
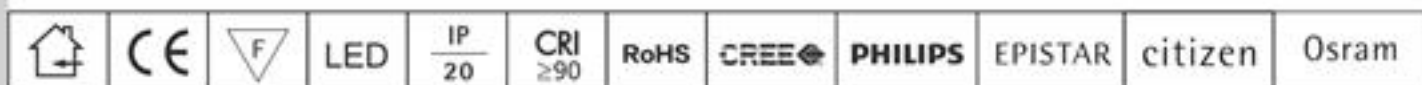
9W 15°					9W 24°					9W 40°				
Lux					Lux					Lux				
h(m)	d(m)	Em	Emax	Lux	h(m)	d(m)	Em	Emax	Lux	h(m)	d(m)	Em	Emax	Lux
1	0.3	2102	2626	1450	1	0.35	1963	2872	1450	1	0.69	991	1450	1450
2	0.6	525	656	362	2	0.71	490	718	362	2	1.38	247	362	362
3	0.91	233	291	141	3	1.06	218	319	141	3	2.07	110	141	141

10W

10W 15°					10W 24°					10W 40°				
Lux					Lux					Lux				
h(m)	d(m)	Em	Emax	Lux	h(m)	d(m)	Em	Emax	Lux	h(m)	d(m)	Em	Emax	Lux
1	0.3	2102	2626	1450	1	0.35	1963	2872	1450	1	0.69	991	1450	1450
2	0.6	525	656	362	2	0.71	490	718	362	2	1.38	247	362	362
3	0.91	233	291	141	3	1.06	218	319	141	3	2.07	110	141	141

9W

9W 15°					9W 24°					9W 40°				
Lux					Lux					Lux				
h(m)	d(m)	Em	Emax	Lux	h(m)	d(m)	Em	Emax	Lux	h(m)	d(m)	Em	Emax	Lux
1	0.3	2102	2626	1450	1	0.35	1963	2872	1450	1	0.69	991	1450	1450
2	0.6	525	656	362	2	0.71	490	718	362	2	1.38	247	362	362
3	0.91	233	291	141	3	1.06	218	319	141	3	2.07	110	141	141



DAILUX 115

DAILUX 116

DAI Available

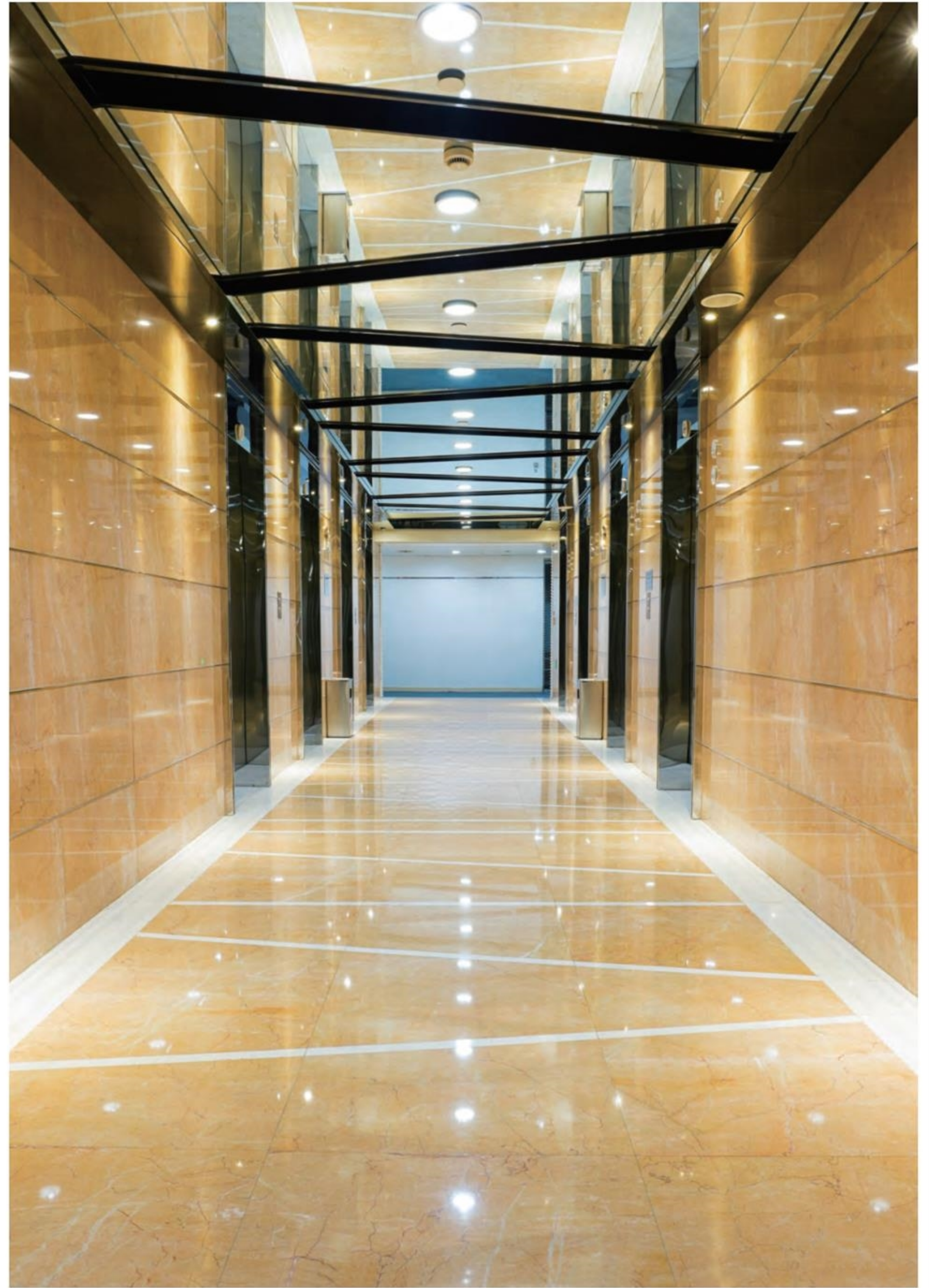
DAI Available

Maybach series >>>>>

Maybach series >>>>>

Recessed Spotlights

Recessed Spotlights



DAILUX 117

DAILUX 118

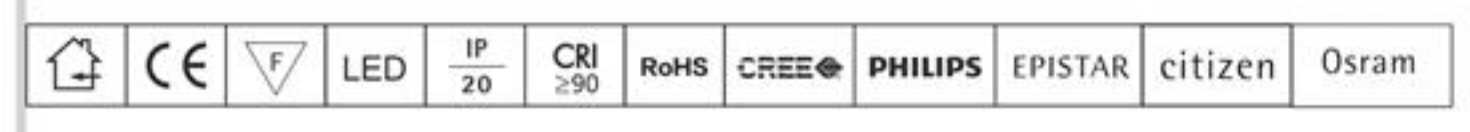
Reflections In Different Surface Treatments

Recessed COB LED down light. Diecasting Aluminum alloy with surface treatment of baking varnish finish or electrostatic powdering. Elegant appearance. Deep anti-glare. Double reflectors With uniform illumination. Excellent heat dissipation design decreases the lumens depreciation. With external LED driver.

Applications:
Star hotel , dining room, coffee shop, trade fair, corridor or bedroom etc.

DALI Available

DALI Available



Maybach series >>>>>

Maybach series >>>>>

Recessed Spotlights

Recessed Spotlights



BJ-JD95/65A-10W/9W



BJ-JD95/65E-10W/9W



BJ-JD9682A-10W/9W

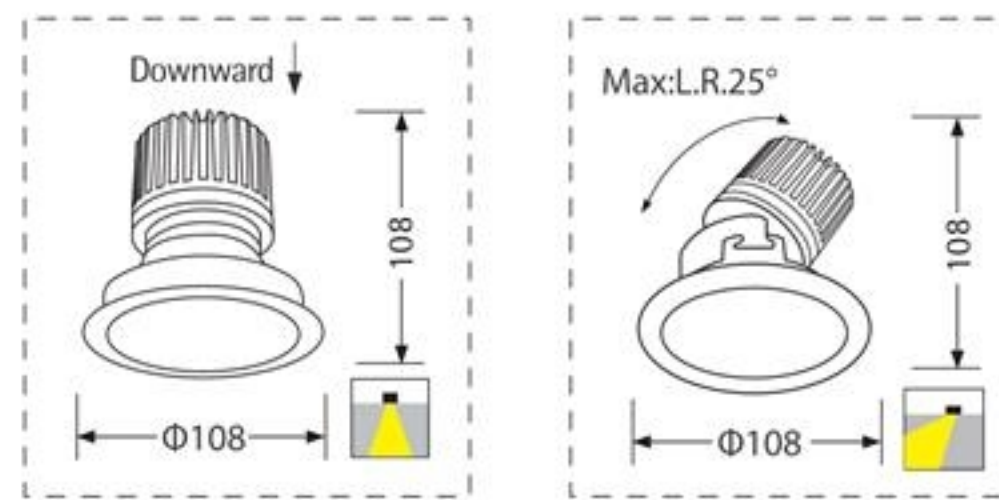


BJ-JD9682E-10W/9W

DAILUX 119

LED COB IP20

Power	10W/9W
CCT	2700 3000K 4000K 5000K
CRI	>90
Input voltage	110-240VAC
Beam Angel	15° 24° 40°
Color	Black/White
Ceiling Thickness	3-20mm
Size	Φ108mm H:108mm
Cut out	Φ95mm
Efficiency	70-80lm/w

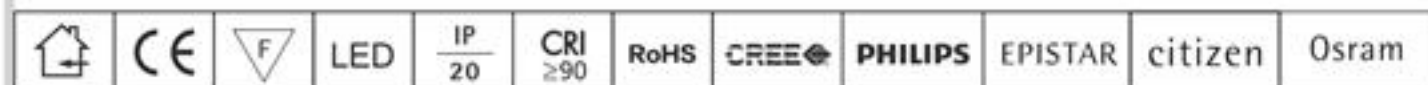


10W

10W 15°				10W 24°				10W 40°			
Lux				Lux				Lux			
h(m)	d(m)	Em	Emax	h(m)	d(m)	Em	Emax	h(m)	d(m)	Em	Emax
1	0.29	2804	4503	1	0.36	2567	3614	1	0.83	607	1636
2	0.57	701	1125	2	0.72	641	903	2	1.66	151	408
3	0.86	311	500	3	1.08	285	401	3	2.49	67	180

9W

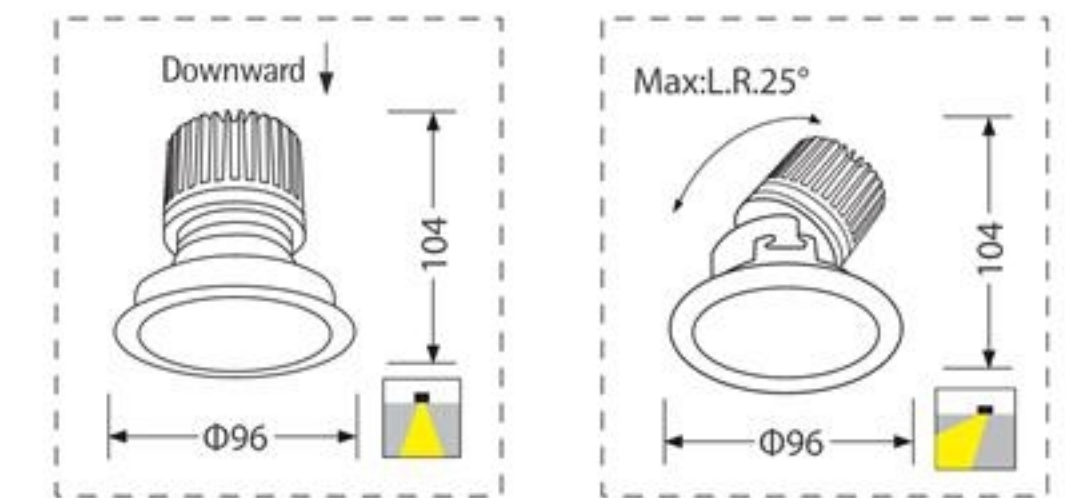
9W 15°				9W 24°				9W 40°			
Lux				Lux				Lux			
h(m)	d(m)	Em	Emax	h(m)	d(m)	Em	Emax	h(m)	d(m)	Em	Emax
1	0.29	2804	4503	1	0.36	2567	3614	1	0.83	607	1636
2	0.57	701	1125	2	0.72	641	903	2	1.66	151	408
3	0.86	311	500	3	1.08	285	401	3	2.49	67	180



DAILUX 120

LED COB IP20

Power	10W/9W
CCT	2700 3000K 4000K 5000K
CRI	>90
Input voltage	110-240VAC
Beam Angel	15° 24° 40°
Color	Black/White/Golden
Ceiling Thickness	3-20mm
Size	Φ96mm H:104mm
Cut out	Φ85mm
Efficiency	70-80lm/w

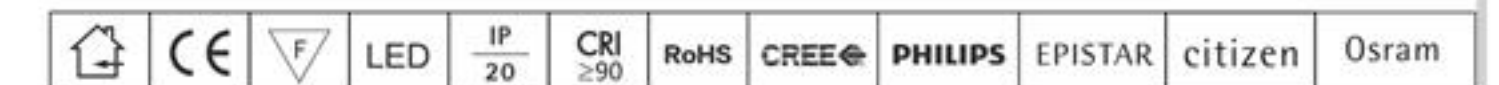


10W

10W 15°				10W 24°				10W 40°			
Lux				Lux				Lux			
h(m)	d(m)	Em	Emax	h(m)	d(m)	Em	Emax	h(m)	d(m)	Em	Emax
1	0.29	2804	4503	1	0.36	2567	3614	1	0.83	607	1636
2	0.57	701	1125	2	0.72	641	903	2	1.66	151	408
3	0.86	311	500	3	1.08	285	401	3	2.49	67	180

9W

9W 15°				9W 24°				9W 40°			
Lux				Lux				Lux			
h(m)	d(m)	Em	Emax	h(m)	d(m)	Em	Emax	h(m)	d(m)	Em	Emax
1	0.29	2804	4503	1	0.36	2567	3614	1	0.83	607	1636
2	0.57	701	1125	2	0.72	641	903	2	1.66	151	408
3	0.86	311	500	3	1.08	285	401	3	2.49	67	180



DALI Available

DALI Available

Maybach series >>>>>

Maybach series >>>>>

Recessed Spotlights

Recessed Spotlights



DALIX
121

DALIX
122



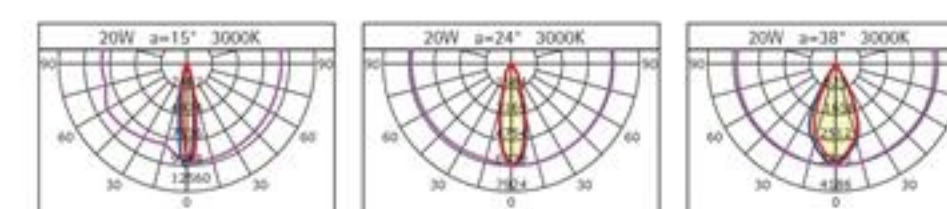
BJ-JD10995YA-20W/30W



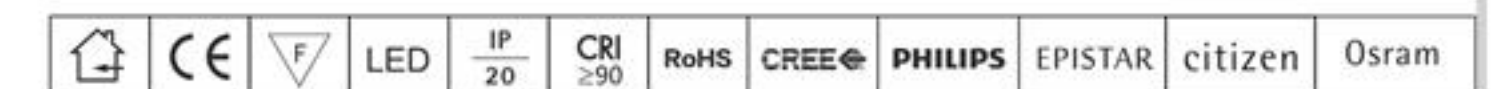
BJ-JD10995YE-20W/30W

LED COB

Power	20W/30W
CCT	2700 3000K 4000K 5000K
CRI	>90
Input voltage	110-240VAC
Beam Angel	15° 24° 38°
Color	Black/White/Gold
Ceiling Thickness	3-20mm
Size	Φ 108mm H:128mm
Cut out	Φ 100mm
Efficiency	80-90lm/w



20W 15°				20W 24°				20W 38°			
Lux											
h(m)	d(m)	Em	E _{max}	h(m)	d(m)	Em	E _{max}	h(m)	d(m)	Em	E _{max}
1	0.26	4708	9948	1	0.42	2943	6218	1	0.78	1569	3316
2	0.52	1177	2487	2	0.84	735	1554	2	1.56	392	829
3	0.78	522	1094	3	1.25	327	690	3	2.34	174	368



DALI Available

DALI Available

Maybach series >>>>>

Maybach series >>>>>

Recessed Spotlights

Recessed Spotlights



BJ-JD110A-20W/30W



BJ-JD110E-20W/30W



BJ-JD130A-20W/30W



BJ-JD130E-20W/30W

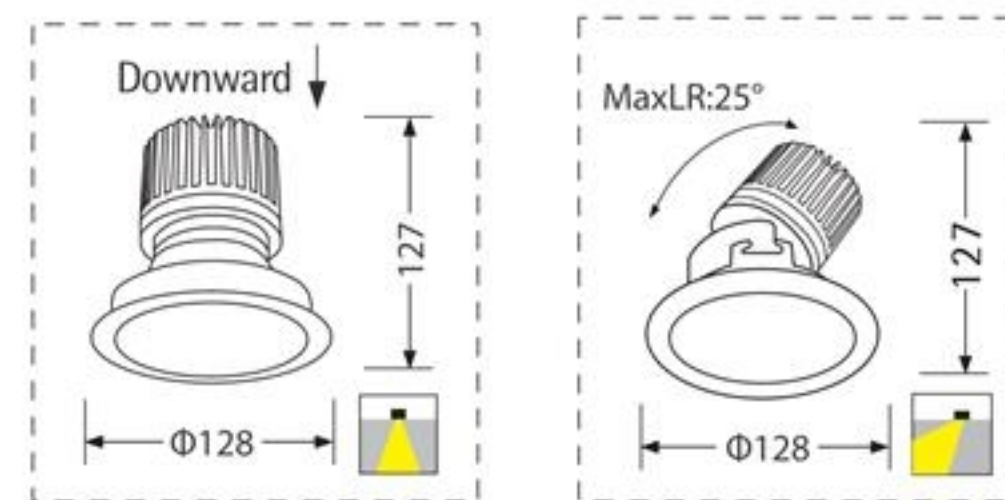


DAI LUX
123

DAI LUX
124

LED COB IP20

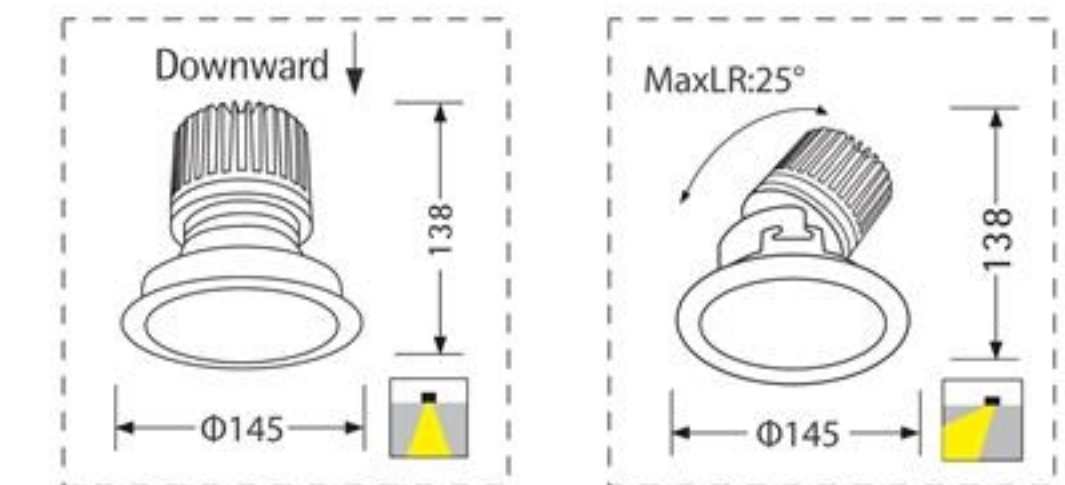
Power	20W/30W
CCT	2700 3000K 4000K 5000K
CRI	>90
Input voltage	110-240VAC
Beam Angel	15° 24° 38°
Color	Black/White
Ceiling Thickness	3-20mm
Size	Φ 128mm H:127mm
Cut out	Φ 110mm
Efficiency	80-90lm/w



			<table border="1"> <thead> <tr><th colspan="4">20W 15°</th></tr> <tr><th>Lux</th><th>h(m)</th><th>d(m)</th><th>Em Emax</th></tr> </thead> <tbody> <tr><td>1</td><td>0.26</td><td>4708</td><td>9948</td></tr> <tr><td>2</td><td>0.52</td><td>1177</td><td>2487</td></tr> <tr><td>3</td><td>0.78</td><td>522</td><td>1094</td></tr> </tbody> </table>	20W 15°				Lux	h(m)	d(m)	Em Emax	1	0.26	4708	9948	2	0.52	1177	2487	3	0.78	522	1094	<table border="1"> <thead> <tr><th colspan="4">20W 24°</th></tr> <tr><th>Lux</th><th>h(m)</th><th>d(m)</th><th>Em Emax</th></tr> </thead> <tbody> <tr><td>1</td><td>0.42</td><td>2943</td><td>6218</td></tr> <tr><td>2</td><td>0.84</td><td>735</td><td>1554</td></tr> <tr><td>3</td><td>1.25</td><td>327</td><td>690</td></tr> </tbody> </table>	20W 24°				Lux	h(m)	d(m)	Em Emax	1	0.42	2943	6218	2	0.84	735	1554	3	1.25	327	690	<table border="1"> <thead> <tr><th colspan="4">20W 38°</th></tr> <tr><th>Lux</th><th>h(m)</th><th>d(m)</th><th>Em Emax</th></tr> </thead> <tbody> <tr><td>1</td><td>0.78</td><td>1569</td><td>3316</td></tr> <tr><td>2</td><td>1.56</td><td>392</td><td>829</td></tr> <tr><td>3</td><td>2.34</td><td>174</td><td>368</td></tr> </tbody> </table>	20W 38°				Lux	h(m)	d(m)	Em Emax	1	0.78	1569	3316	2	1.56	392	829	3	2.34	174	368
20W 15°																																																																	
Lux	h(m)	d(m)	Em Emax																																																														
1	0.26	4708	9948																																																														
2	0.52	1177	2487																																																														
3	0.78	522	1094																																																														
20W 24°																																																																	
Lux	h(m)	d(m)	Em Emax																																																														
1	0.42	2943	6218																																																														
2	0.84	735	1554																																																														
3	1.25	327	690																																																														
20W 38°																																																																	
Lux	h(m)	d(m)	Em Emax																																																														
1	0.78	1569	3316																																																														
2	1.56	392	829																																																														
3	2.34	174	368																																																														

LED COB IP20

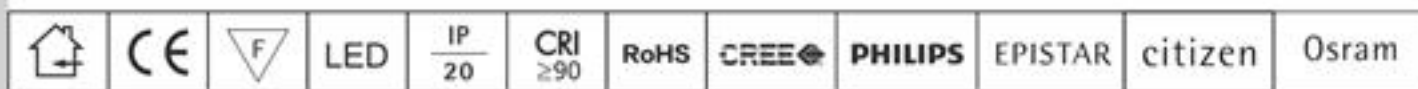
Power	20W/30W
CCT	2700 3000K 4000K 5000K
CRI	>90
Input voltage	110-240VAC
Beam Angel	15° 24° 38°
Color	Black/White
Ceiling Thickness	3-20mm
Size	Φ 145mm H:138mm
Cut out	Φ 130mm
Efficiency	80-90lm/w



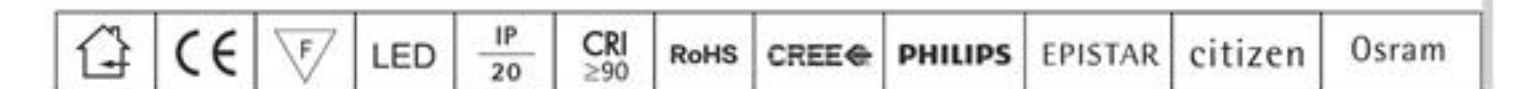
			<table border="1"> <thead> <tr><th colspan="4">20W 15°</th></tr> <tr><th>Lux</th><th>h(m)</th><th>d(m)</th><th>Em Emax</th></tr> </thead> <tbody> <tr><td>1</td><td>0.26</td><td>4708</td><td>9948</td></tr> <tr><td>2</td><td>0.52</td><td>1177</td><td>2487</td></tr> <tr><td>3</td><td>0.78</td><td>522</td><td>1094</td></tr> </tbody> </table>	20W 15°				Lux	h(m)	d(m)	Em Emax	1	0.26	4708	9948	2	0.52	1177	2487	3	0.78	522	1094	<table border="1"> <thead> <tr><th colspan="4">20W 24°</th></tr> <tr><th>Lux</th><th>h(m)</th><th>d(m)</th><th>Em Emax</th></tr> </thead> <tbody> <tr><td>1</td><td>0.42</td><td>2943</td><td>6218</td></tr> <tr><td>2</td><td>0.84</td><td>735</td><td>1554</td></tr> <tr><td>3</td><td>1.25</td><td>327</td><td>690</td></tr> </tbody> </table>	20W 24°				Lux	h(m)	d(m)	Em Emax	1	0.42	2943	6218	2	0.84	735	1554	3	1.25	327	690	<table border="1"> <thead> <tr><th colspan="4">20W 38°</th></tr> <tr><th>Lux</th><th>h(m)</th><th>d(m)</th><th>Em Emax</th></tr> </thead> <tbody> <tr><td>1</td><td>0.78</td><td>1569</td><td>3316</td></tr> <tr><td>2</td><td>1.56</td><td>392</td><td>829</td></tr> <tr><td>3</td><td>2.34</td><td>174</td><td>368</td></tr> </tbody> </table>	20W 38°				Lux	h(m)	d(m)	Em Emax	1	0.78	1569	3316	2	1.56	392	829	3	2.34	174	368
20W 15°																																																																	
Lux	h(m)	d(m)	Em Emax																																																														
1	0.26	4708	9948																																																														
2	0.52	1177	2487																																																														
3	0.78	522	1094																																																														
20W 24°																																																																	
Lux	h(m)	d(m)	Em Emax																																																														
1	0.42	2943	6218																																																														
2	0.84	735	1554																																																														
3	1.25	327	690																																																														
20W 38°																																																																	
Lux	h(m)	d(m)	Em Emax																																																														
1	0.78	1569	3316																																																														
2	1.56	392	829																																																														
3	2.34	174	368																																																														

DAI LUX Available

DAI LUX Available



Triac Dimmable | TRIDONIC PHILIPS EAGLE RISE BGJO Dimming Solution | 0-10V dimmable



Triac Dimmable | TRIDONIC PHILIPS EAGLE RISE BGJO Dimming Solution | 0-10V dimmable

Maybach series >>>>>

Maybach series >>>>>

Recessed Spotlights

Recessed Spotlights



BJ-JD150YZA-45W



BJ-JD150YZA-30W

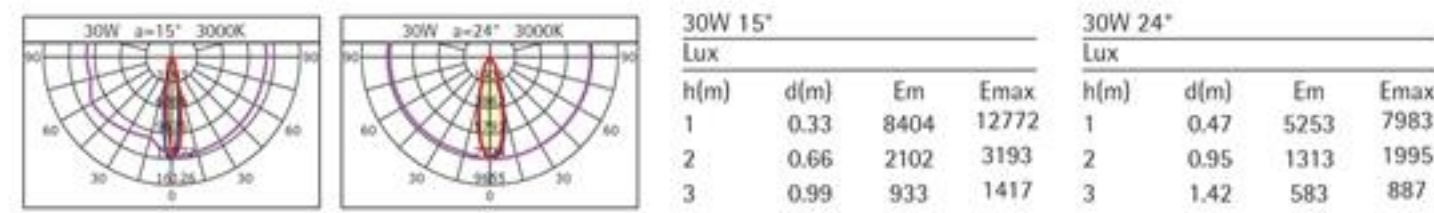


DAILUX 125

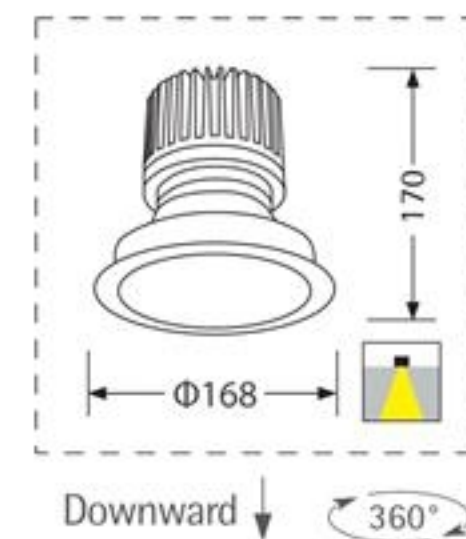
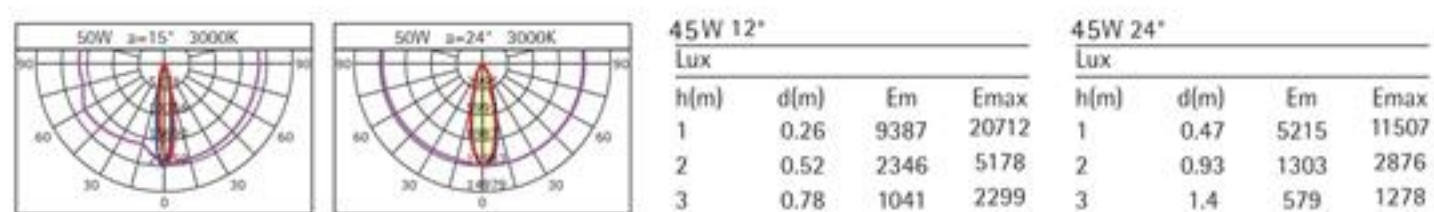
LED COB IP20

Power	30W/45W
CCT	2700 3000K 4000K 5000K
CRI	>90
Input voltage	110-240VAC
Beam Angel	15° 24°
Color	Black/White/Golden
Ceiling Thickness	3-20mm
Size	Φ 168mm H:170mm
Cut out	Φ 161mm
Efficiency	80-90lm/w

30W



45W



DAILUX 126

LED COB IP20

Power	30W/45W
CCT	2700 3000K 4000K 5000K
CRI	>90
Input voltage	110-240VAC
Beam Angel	15° 24° 38°
Color	Black/White
Ceiling Thickness	3-20mm
Size	Φ 168mm H:170mm
Cut out	Φ 161mm
Efficiency	80-90lm/w

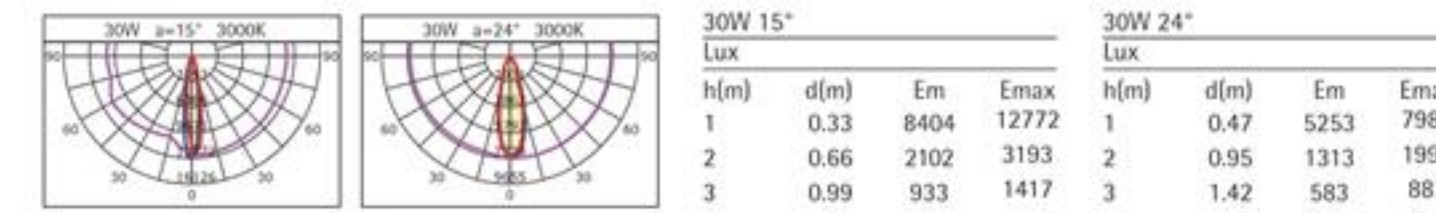


BJ-JD150YZE-30W

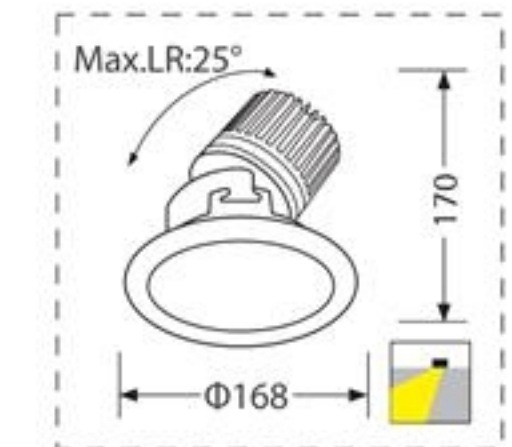
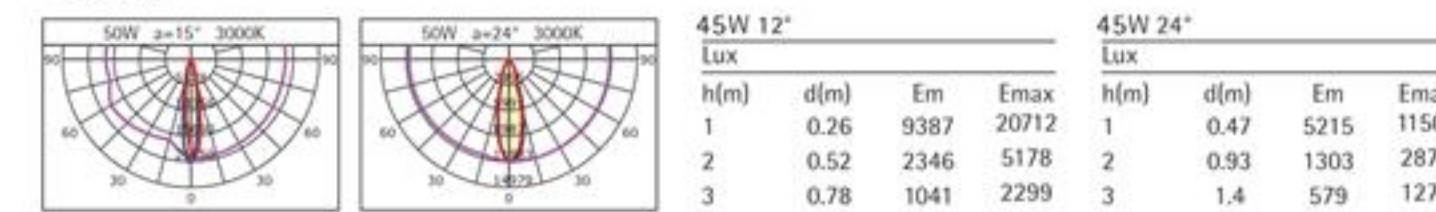


BJ-JD150YZE-45W

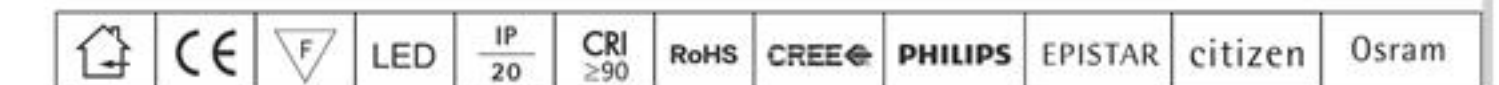
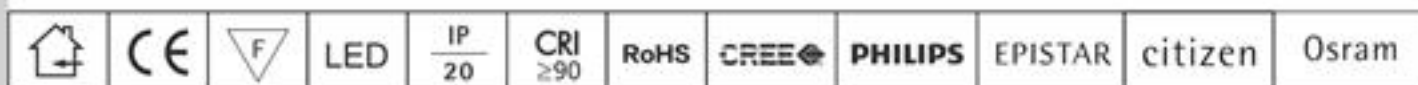
30W



45W



DAI Available



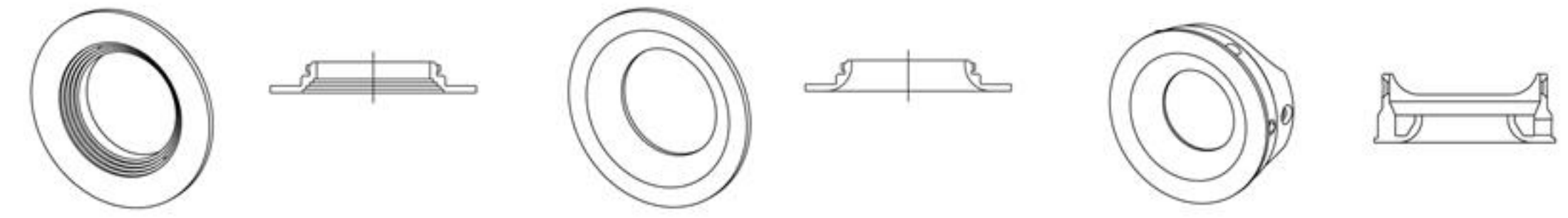
Pagani series >>>>>

Pagani series >>>>>

Pagani

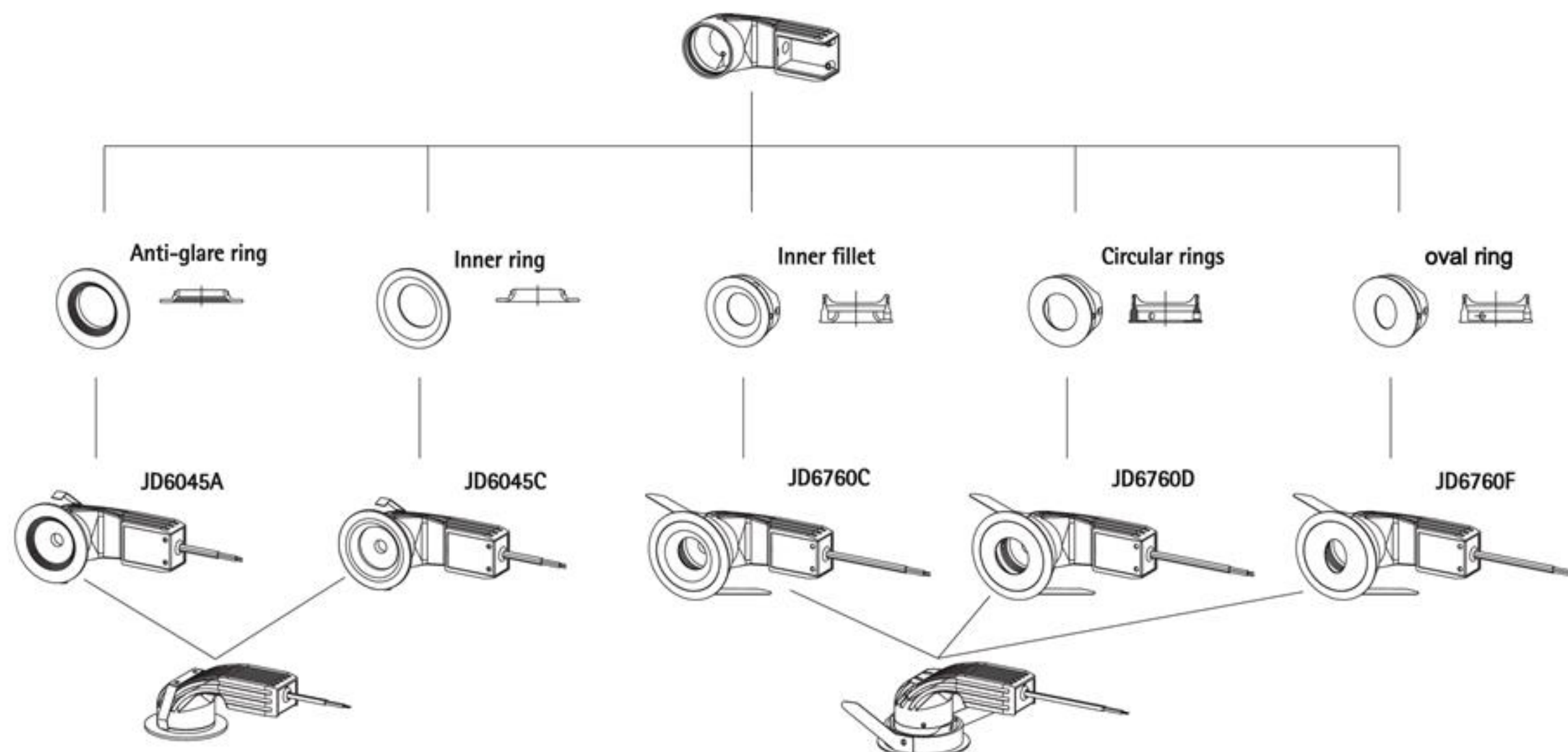


Application field
Recommended for fixed scene space accent lighting, such as hotel corridors, restaurant small table, furniture corridor, etc.



Display case

Detail Distribution



With push terminals for easy connection
Lamps with all body can through the mounting holes ,
It is easy for installation and maintenance,
maintenance without removing the replacement cartridge preinstalled.



Pagani series >>>>>

Pagani series >>>>>

Recessed Spotlights

Recessed Spotlights



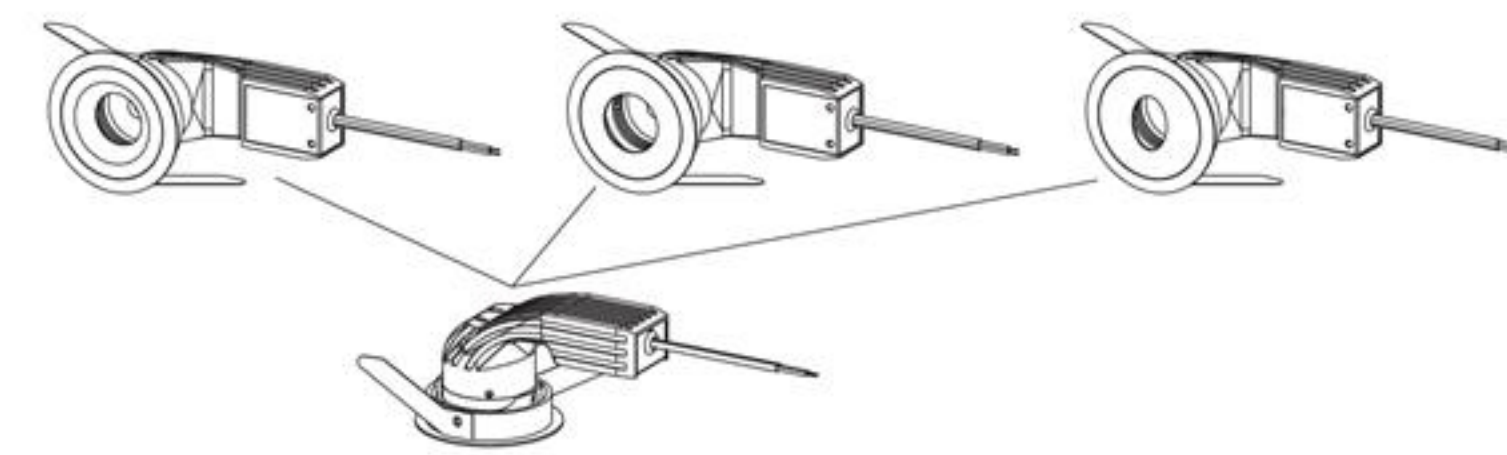
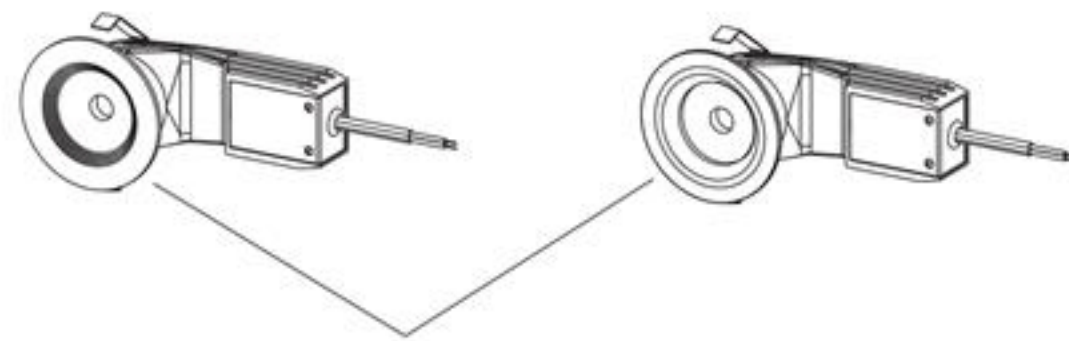
BJ-JD6045A-6.5W

BJ-JD6045C-6.5W

BJ-JD6760C-6.5W

BJ-JD6760D-6.5W

BJ-JD6760F-6.5W

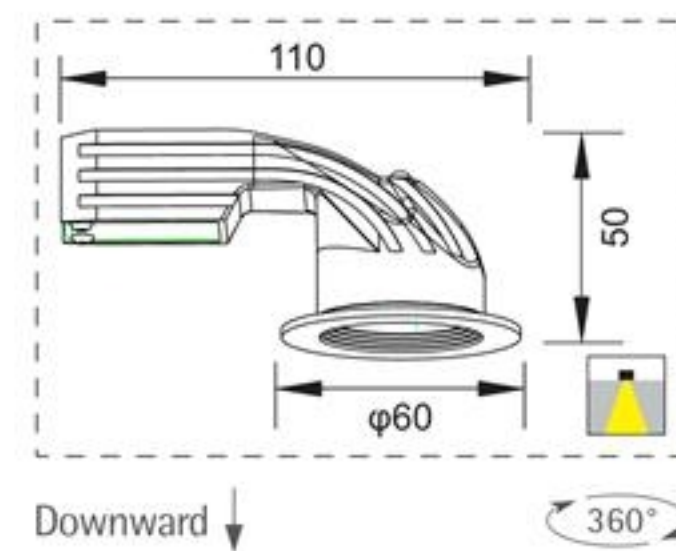


DALIX 131

DALIX 132

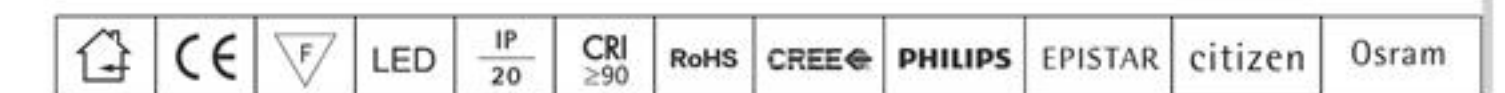
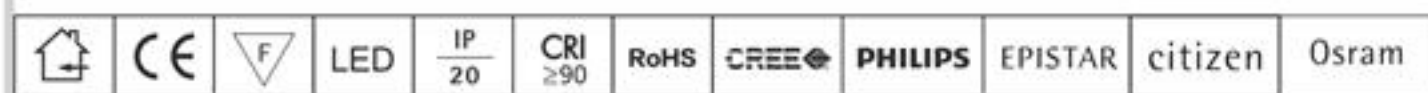
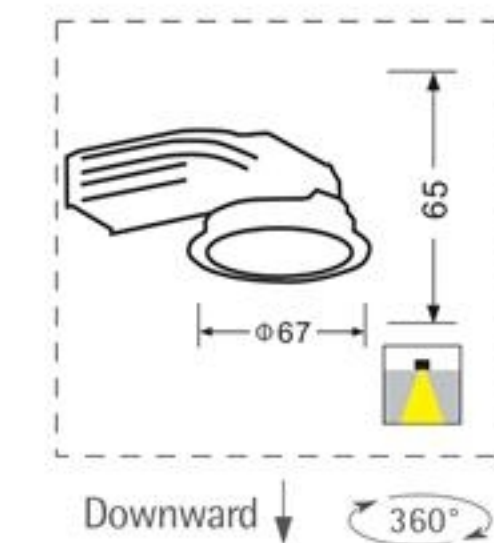
LED COB IP20

Power	6.5W
CCT	2700 3000K 4000K 5000K
CRI	>90
Input voltage	110-240VAC
Beam Angel	15° 24° 38°
Color	Black/White
Ceiling Thickness	3-20mm
Size	Φ60mm H:50mm
Cut out	Φ45mm
Efficiency	70-80lm/w



LED COB IP20

Power	6.5W
CCT	2700 3000K 4000K 5000K
CRI	>90
Input voltage	110-240VAC
Beam Angel	15° 24° 38°
Color	Black/White
Ceiling Thickness	3-20mm
Size	Φ67mm H:65mm
Cut out	Φ60mm
Efficiency	70-80lm/w



DALI Available

DALI Available

Pagani series >>>>>

Pagani series >>>>>

Recessed Spotlights

Recessed Spotlights



BJ-JD8775C-12W



BJ-JD8775D-12W



BJ-JD8775F-12W



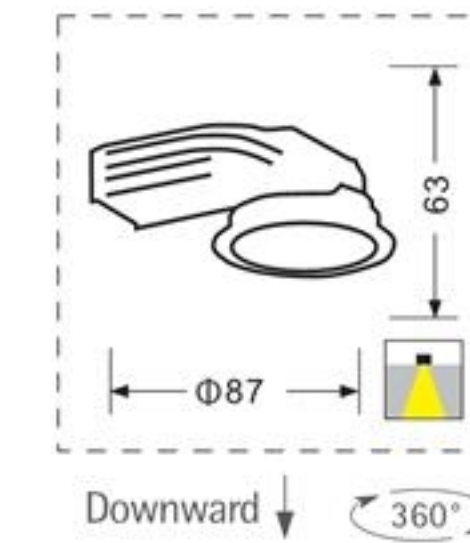
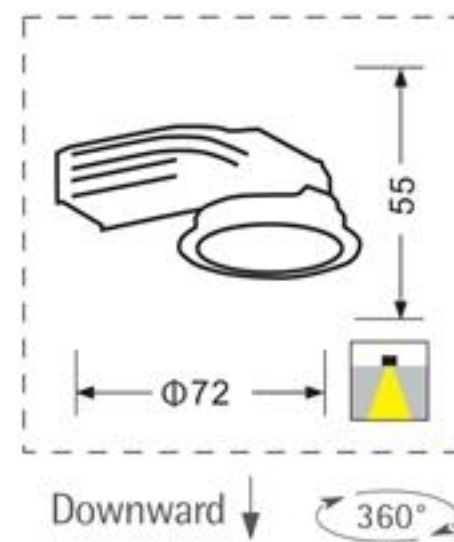
BJ-JD7565A-12W



BJ-JD7565C-12W

LED COB IP20

Power	12W
CCT	2700 3000K 4000K 5000K
CRI	>90
Input voltage	110-240VAC
Beam Angel	18° 24° 38°
Color	Black/White
Ceiling Thickness	3-20mm
Size	Φ72mm H:55mm
Cut out	Φ65mm
Efficiency	70-80lm/w



LED COB IP20

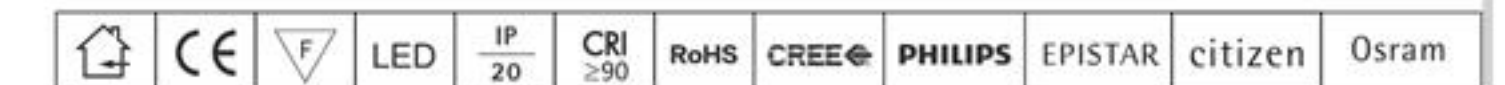
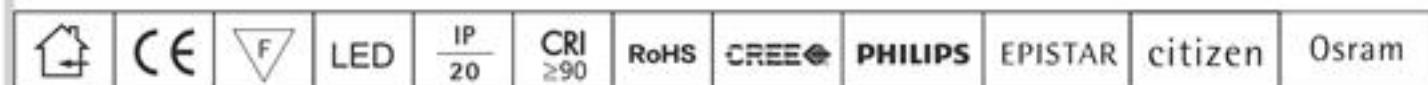
Power	12W
CCT	2700 3000K 4000K 5000K
CRI	>90
Input voltage	110-240VAC
Beam Angel	15° 24° 38°
Color	Black/White
Ceiling Thickness	3-20mm
Size	Φ87mm H:63mm
Cut out	Φ75mm
Efficiency	70-80lm/w

DALIX 133

DALIX 134

DALI Available

DALI Available



Earl series >>>>>

Earl series >>>>> Installation

Recessed Spotlights

Pagani-Trimless



BJ-WBB-6760C



BJ-WBB-8775C



BJ-WBB-6760D



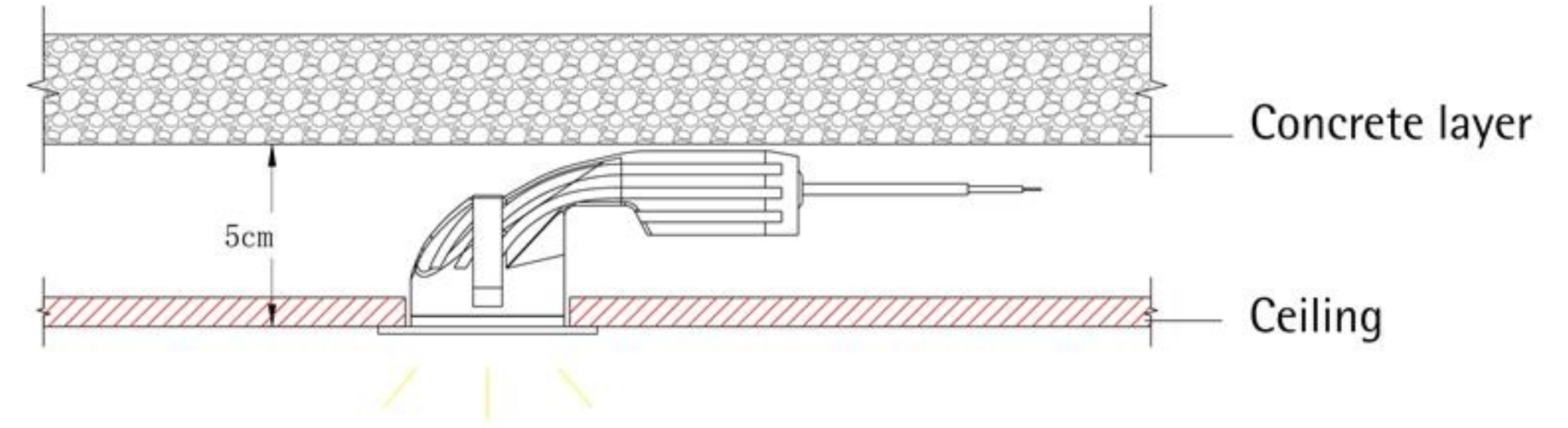
BJ-WBB-8775D



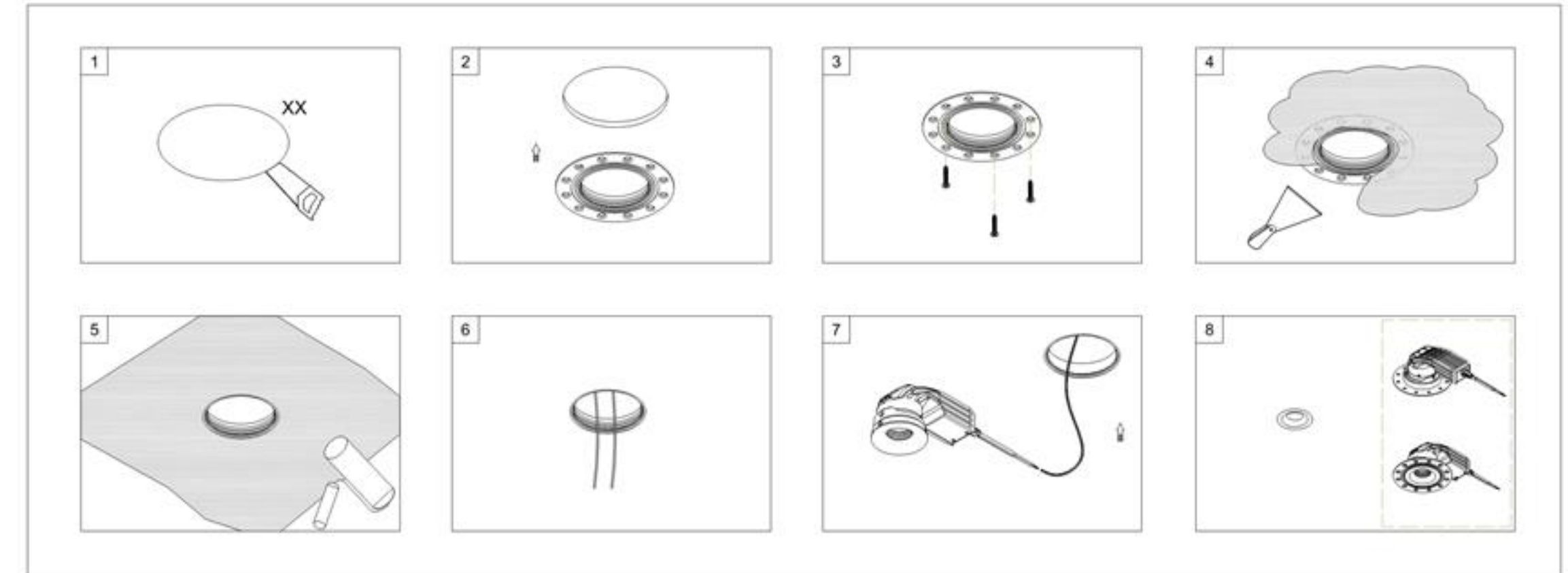
BJ-WBB-6760F



BJ-WBB-8775F



1. Low space after small pox ;
2. 15°、24°、38° Beam Angle for option;
3. Easy installation



Recessed Spotlights

DALIX 136

DALI Available

DALIX 135

DALI Available

Earl series >>>>>

Earl series >>>>>

Recessed Spotlights

Recessed Spotlights



BJ-WBB-6760C



BJ-WBB-6760D



BJ-WBB-6760F



BJ-WBB-8775C

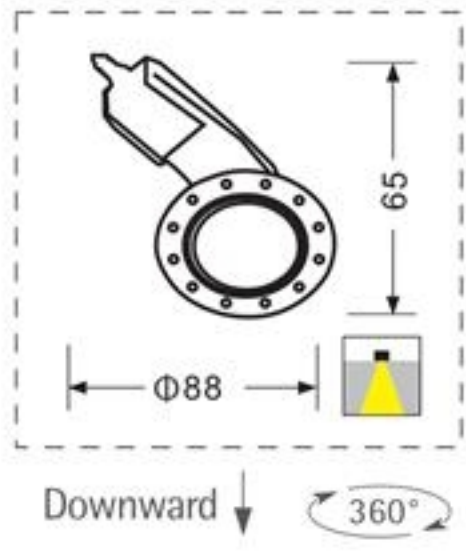


BJ-WBB-8775D



BJ-WBB-8775F

DAILUX
137

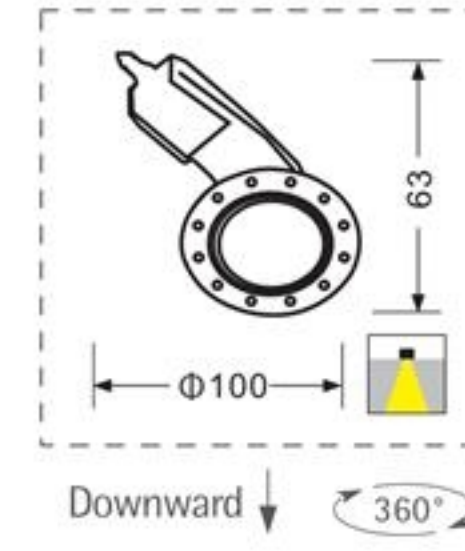


LED COB IP20

Power	6.5W
CCT	2700 3000K 4000K 5000K
CRI	>90
Input voltage	110-240VAC
Beam Angel	15° 24° 38°
Color	Black/White
Ceiling Thickness	3-20mm
Size	Φ88mm H:65mm
Cut out	Φ60mm
Efficiency	70-80lm/w



DAILUX
138



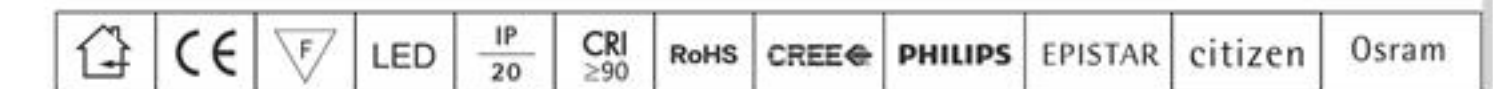
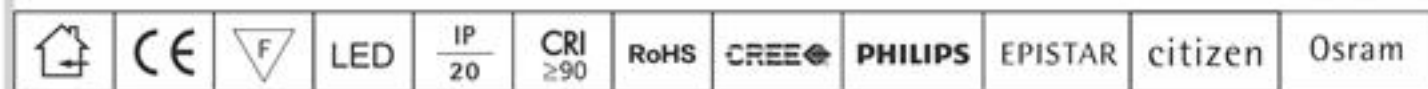
LED COB IP20

Power	12W
CCT	2700 3000K 4000K 5000K
CRI	>90
Input voltage	110-240VAC
Beam Angel	18°
Color	Black/White
Ceiling Thickness	3-20mm
Size	Φ100mm H:63mm
Cut out	Φ75mm
Efficiency	70-80lm/w



DALI Available

DALI Available



Square space >>>>>

Square space >>>>>

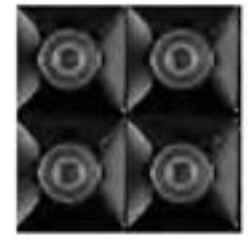
Grille Lights

Grille Lights

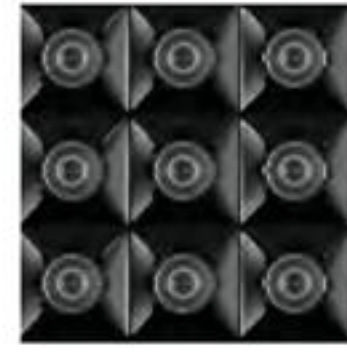
Square space

Free light grille light

- ◆ 16 Professional light distributions
- ◆ Single lamps multi-loop control
- ◆ Freely combine, reduce inventory and reduce the number of lamps



4LED/4*3W



9LED/9*3W



WALL WASH



3LED/3*3W



6LED/6*3W



12LED/12*3W



18LED/18*3W



BJ-GS124-F



BJ-GS279-F



BJ-MILGS03



BJ-MILGS06



BJ-MILGS12



BJ-MILGS18



Display case

DAI LUX
139

DAI LUX
140

DAI L Available

DAI L Available

Square space >>>>>

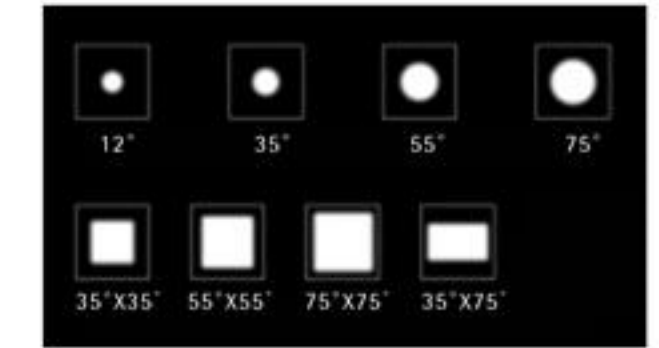
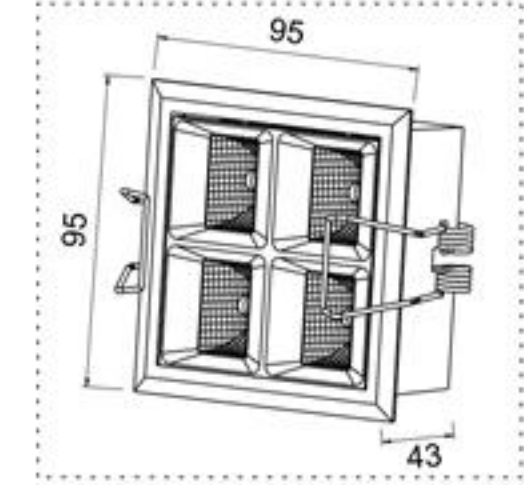
Square space >>>>>



BJ-GS124-T

LED COB IP20

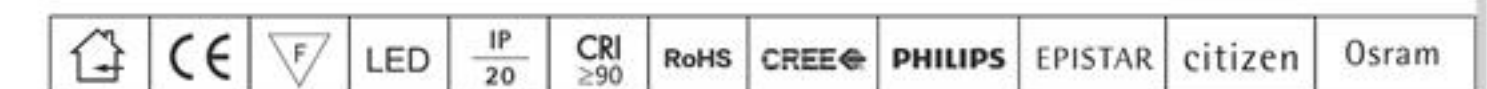
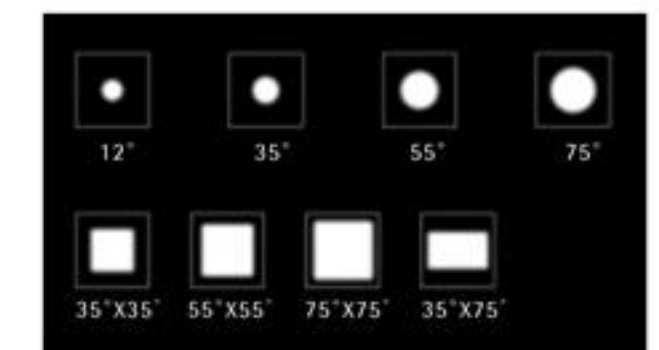
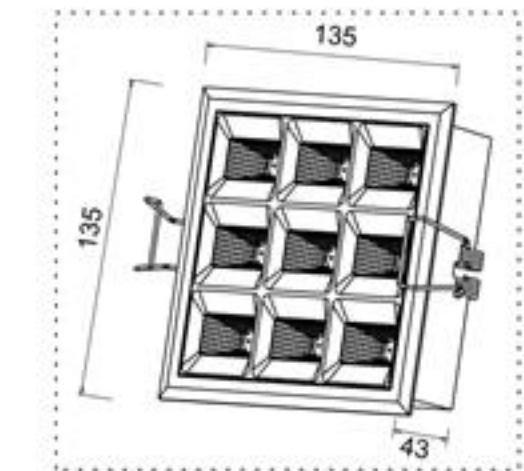
Power	4*3W
CCT	2700 3000K 4000K 5000K
CRI	>90
Input voltage	110-240VAC
Beam Angel	12° 35° 55° 75° 35*75° 55*55° 75*75° 35*35°
Color	Black/White
Ceiling Thickness	3-20mm
Size	95*95mm H:43mm
Cut out	85*85mm
Efficiency	80-90lm/w



BJ-GS279-T

LED COB IP20

Power	9*3W
CCT	2700 3000K 4000K 5000K
CRI	>90
Input voltage	110-240VAC
Beam Angel	12° 35*75° 55*55° 75*75° 35° 55° 75° 35*35°
Color	Black/White
Ceiling Thickness	3-20mm
Size	135*135mm H:43mm
Cut out	125*125mm
Efficiency	80-90lm/w



Grille Lights

Grille Lights

DAI LUX
141

DAI LUX
142

DAI L Available

DAI L Available

Square space >>>>>

Square space >>>>>

Grille Lights

Grille Lights



DAILUX
143

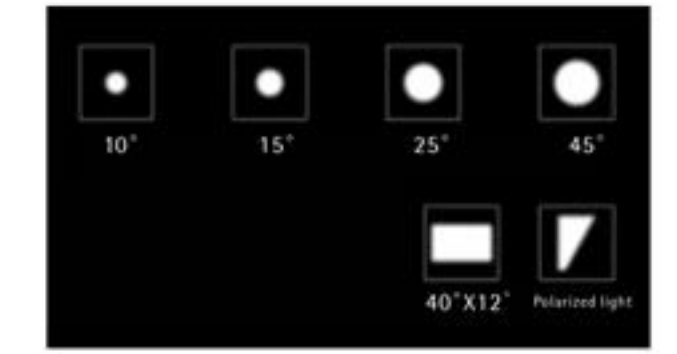
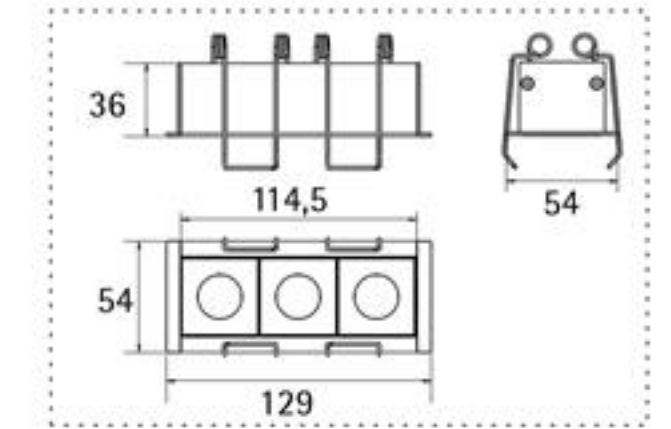
DAILUX
144



BJ-MILGS03

LED COB IP20

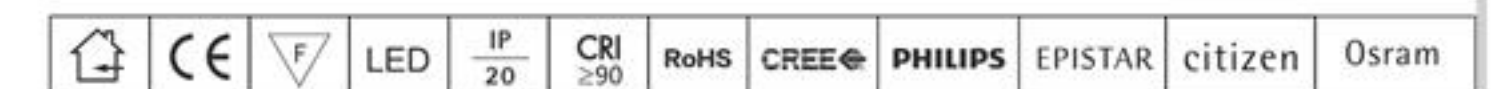
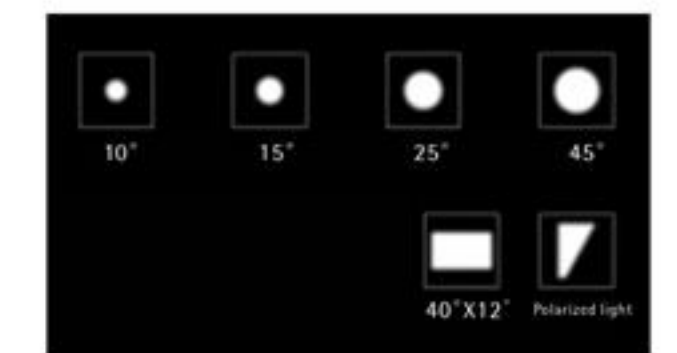
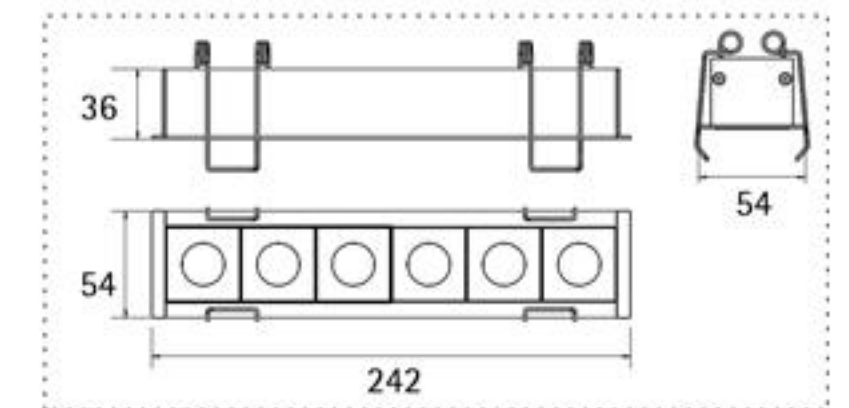
Power	3*3W
CCT	2700 3000K 4000K 5000K
CRI	>90
Input voltage	110-240VAC
Beam Angel	10° 15° 25° 45° 40*12° Polarized light
Color	Black/White
Ceiling Thickness	3-20mm
Size(L*W*H)	129mm*54mm*36mm
Cut out	46*118mm
Efficiency	70-80lm/w



BJ-MILGS06

LED COB IP20

Power	6*3W
CCT	2700 3000K 4000K 5000K
CRI	>90
Input voltage	110-240VAC
Beam Angel	10° 15° 25° 45° 40*12° 单向偏光
Color	Black/White
Ceiling Thickness	3-20mm
Size(L*W*H)	242mm*54mm*36mm
Cut out	46*232mm
Efficiency	80-90lm/w



DALI Available

DALI Available

Square space >>>>>

Square space >>>>>

Grille Lights

Grille Lights



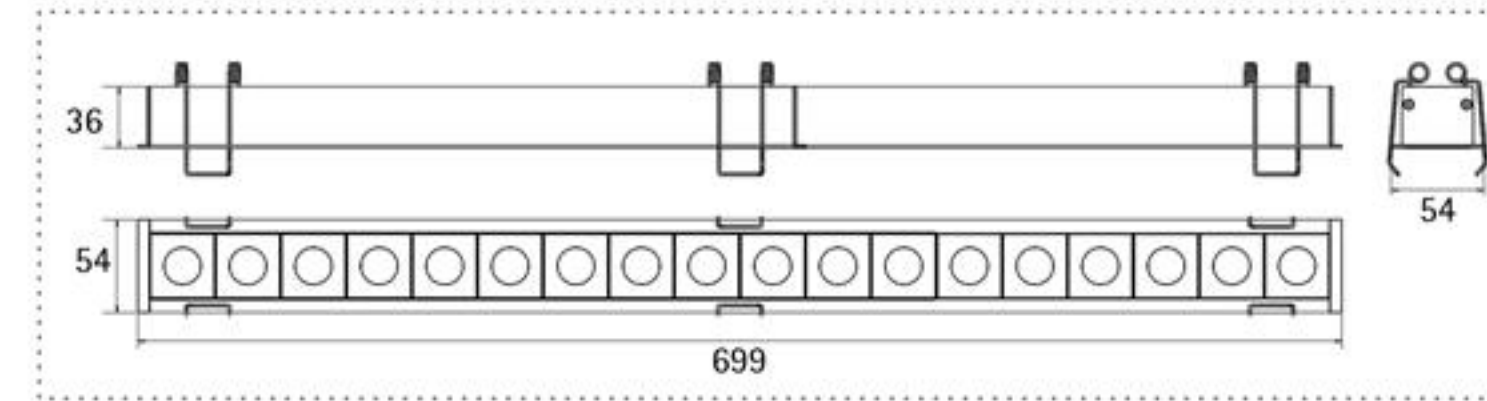
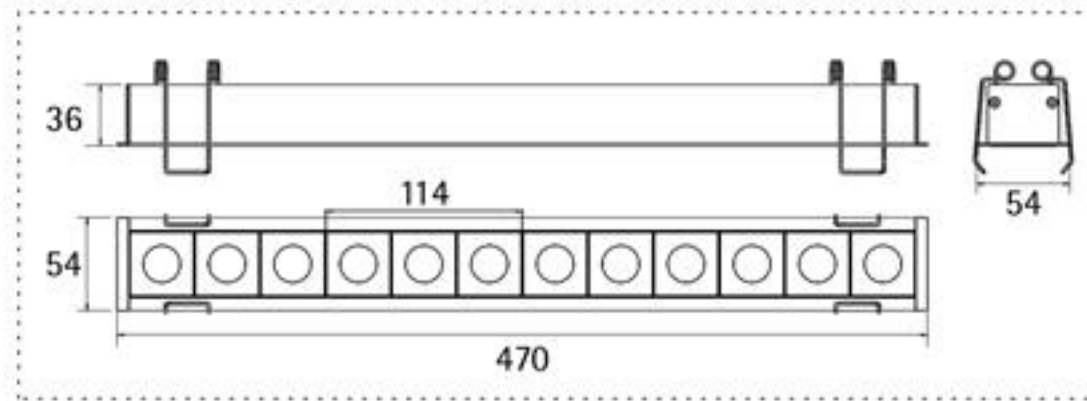
BJ-MILGS12



BJ-MILGS18

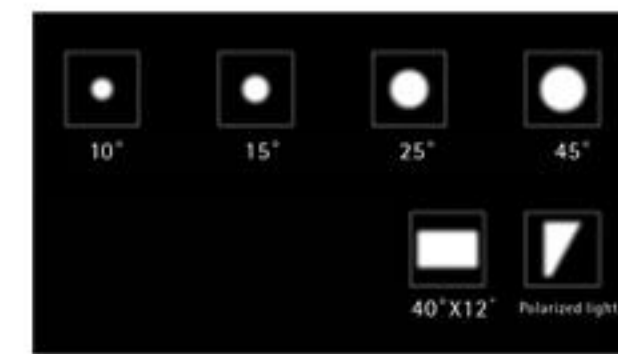
DALIX
145

DALIX
146



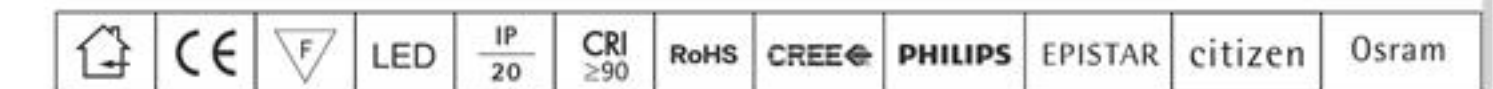
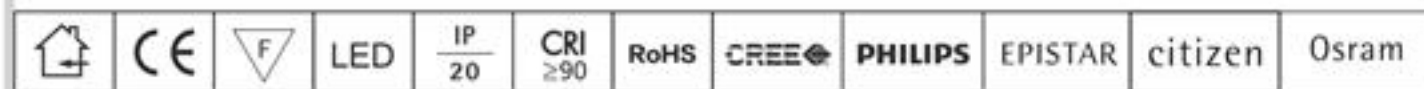
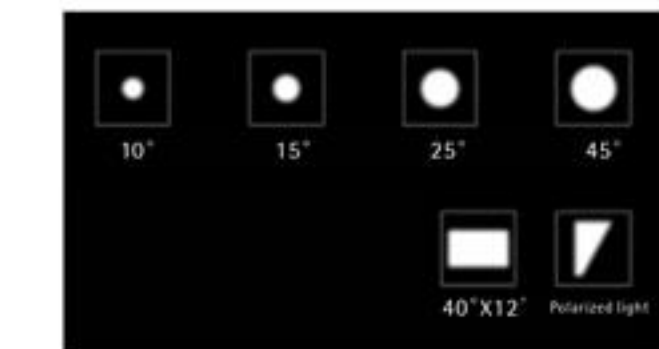
LED COB IP20

Power	12*3W
CCT	2700 3000K 4000K 5000K
CRI	>90
Input voltage	110-240VAC
Beam Angel	10° 15° 25° 45° 40*12° Polarized light
Color	Black/White
Ceiling Thickness	3-20mm
Size(L*W*H)	470mm*54mm*36mm
Cut out	46*460mm
Efficiency	80-90lm/w



LED COB IP20

Power	18*3W
CCT	2700 3000K 4000K 5000K
CRI	>90
Input voltage	110-240VAC
Beam Angel	10°15°25°45° 20° 40*12° Polarized light
Color	Black/White
Ceiling Thickness	3-20mm
Size(L*W*H)	699mm*54mm*36mm
Cut out	46*688mm
Efficiency	80-90lm/w



DALI Available

DALI Available

MINI Square space >>>>>

MINI Square space >>>>>

Grille Lights

Grille Lights



DAI LUX
147

DAI LUX
148

DALI Available

DALI Available

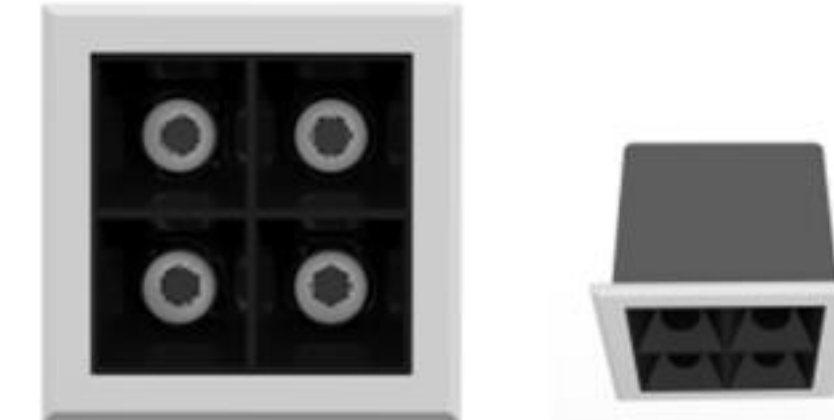
BJ-XTD3-2



LED COB IP20

Power	2*1.5W
CCT	2700 3000K 4000K 5000K
CRI	>90
Input voltage	110-240VAC
Beam Angel	30° 60°
Color	Black/White
Ceiling Thickness	3-20mm
Size(L*W*H)	52mm*32mm*40mm
Cut out	48*27.5mm
Efficiency	70-80lm/w

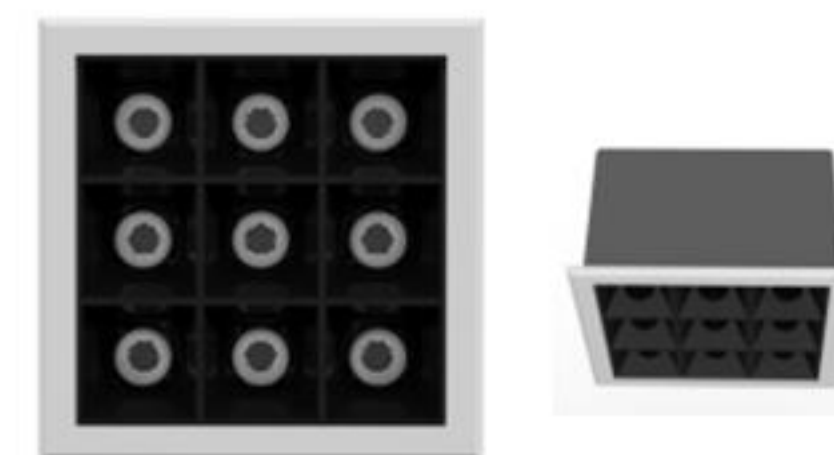
BJ-XTD3-4



LED COB IP20

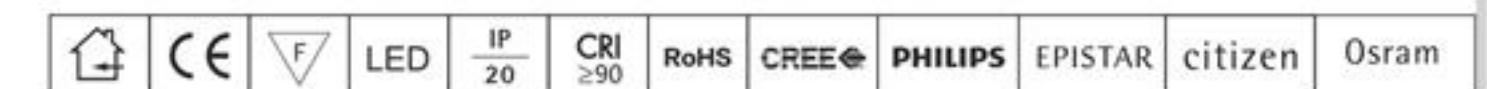
Power	4*1.5W
CCT	2700 3000K 4000K 5000K
CRI	>90
Input voltage	110-240VAC
Beam Angel	30° 60°
Color	Black/White
Ceiling Thickness	3-20mm
Size(L*W*H)	52mm*52mm*40mm
Cut out	48*48mm
Efficiency	70-80lm/w

BJ-XTD3-9



LED COB IP20

Power	9*1.5W
CCT	2700 3000K 4000K 5000K
CRI	>90
Input voltage	110-240VAC
Beam Angel	30° 60°
Color	Black/White
Ceiling Thickness	3-20mm
Size(L*W*H)	71mm*71mm*40mm
Cut out	68*68mm
Efficiency	70-80lm/w



A302 series >>>>>

A302 series >>>>>

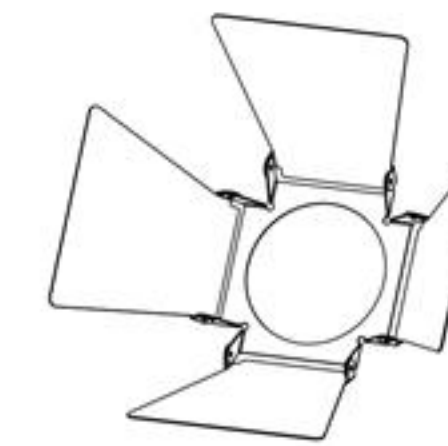
Track Spotlights

Track Spotlights

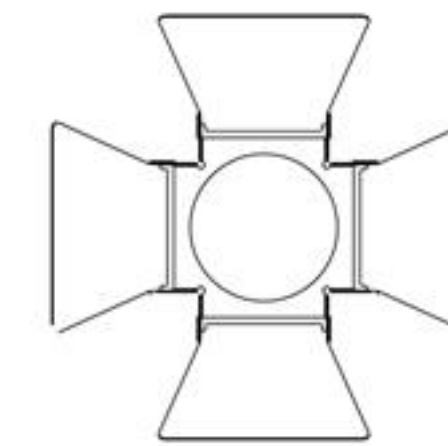
A302 Series



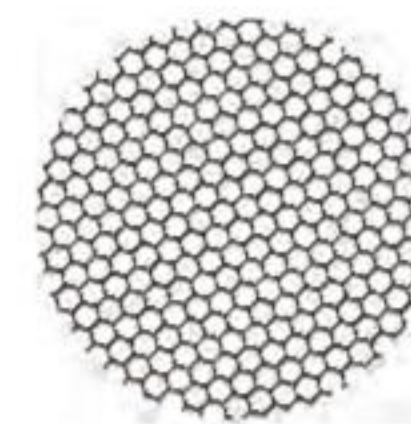
Display case



Four Leaf



Four Leaf



Honeycomb mesh



CREE COB



Lens



Reflector

CE LED IP20 CRI ≥90 RoHS CREE PHILIPS EPISTAR citizen Osram

CE LED IP20 CRI ≥90 RoHS CREE PHILIPS EPISTAR citizen Osram

DAILUX 149

DAILUX 150

A302 series >>>>>

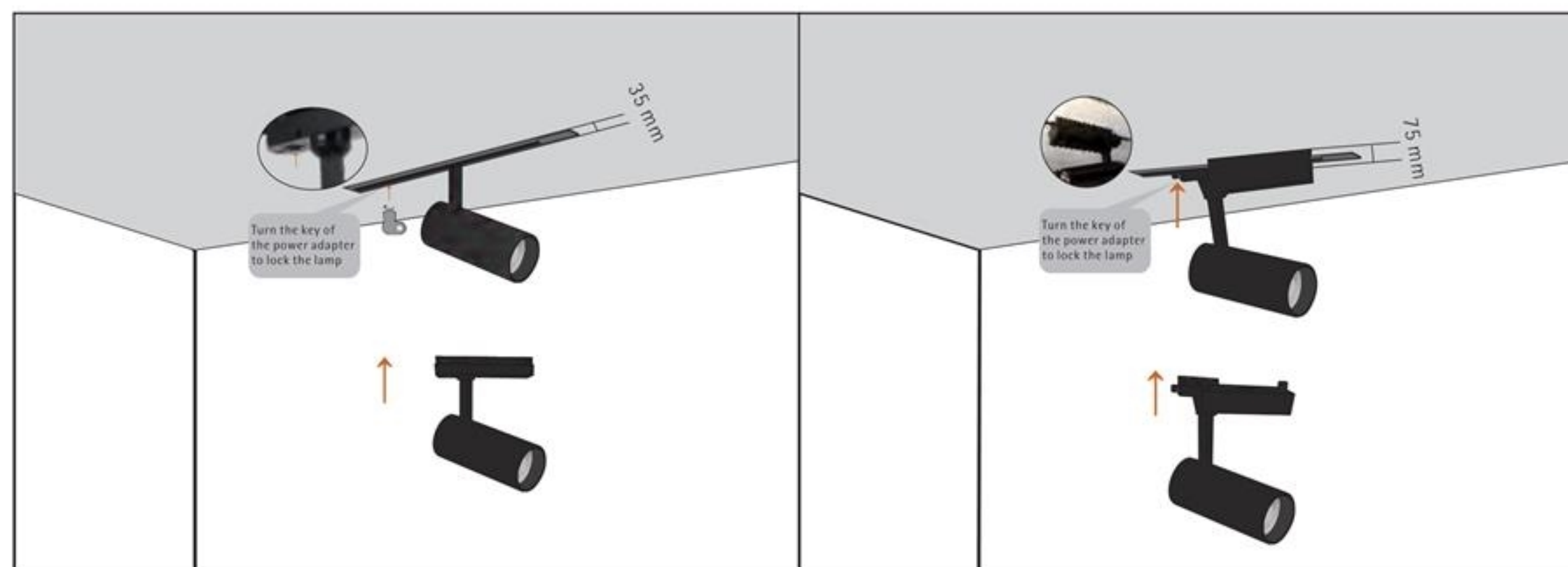
A302 series >>>>>

The platinum crystal NGD series adopts mini integrated power adapter, patented design, easy to operate and easy to operate; two-wire, three-wire and four-wire multiple contact tracks can be selected to provide users with multiple choices and more effective space-saving use. Beautiful and simple.



MINI Integrated Switch

Ordinary Handle



Alternative Multiple Contact Track: 2 Wires, 3 Wires, 4 Wires



Integrated Connector Power Supplier



BOJO Integrated Connector Power Supplier



PHILIP Integrated Connector Power Supplier



GLOBAL Integrated Connector Power Supplier



A302 series >>>>>

A302 series >>>>>

Track Spotlights

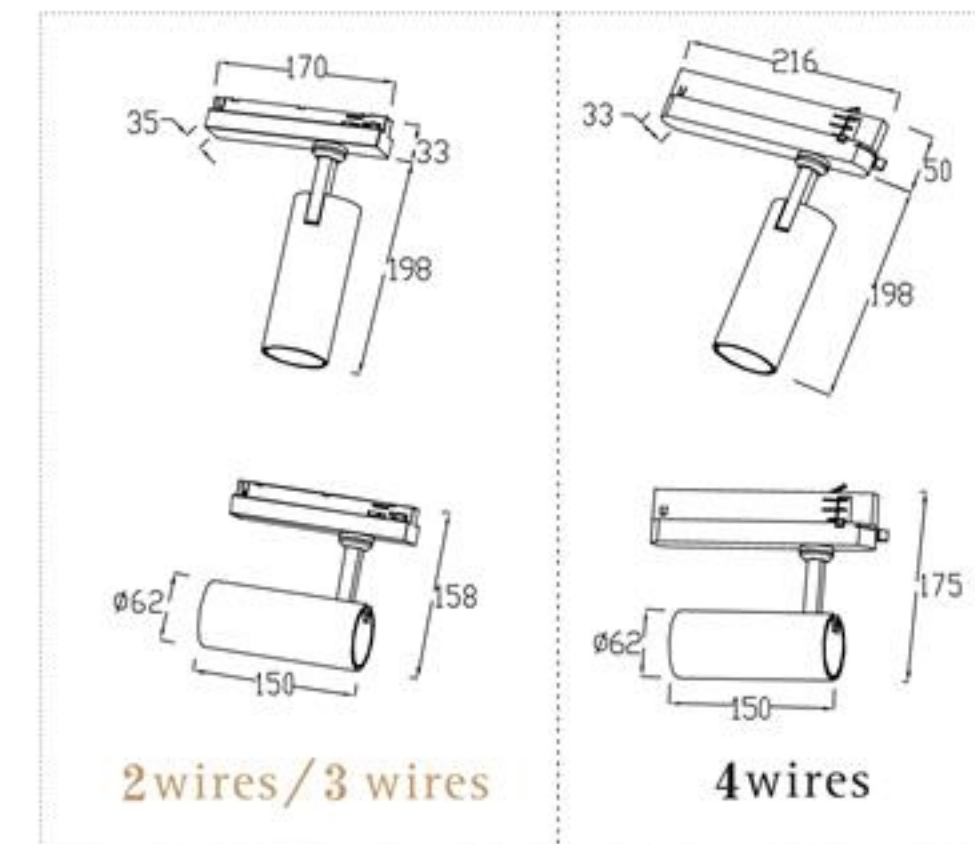
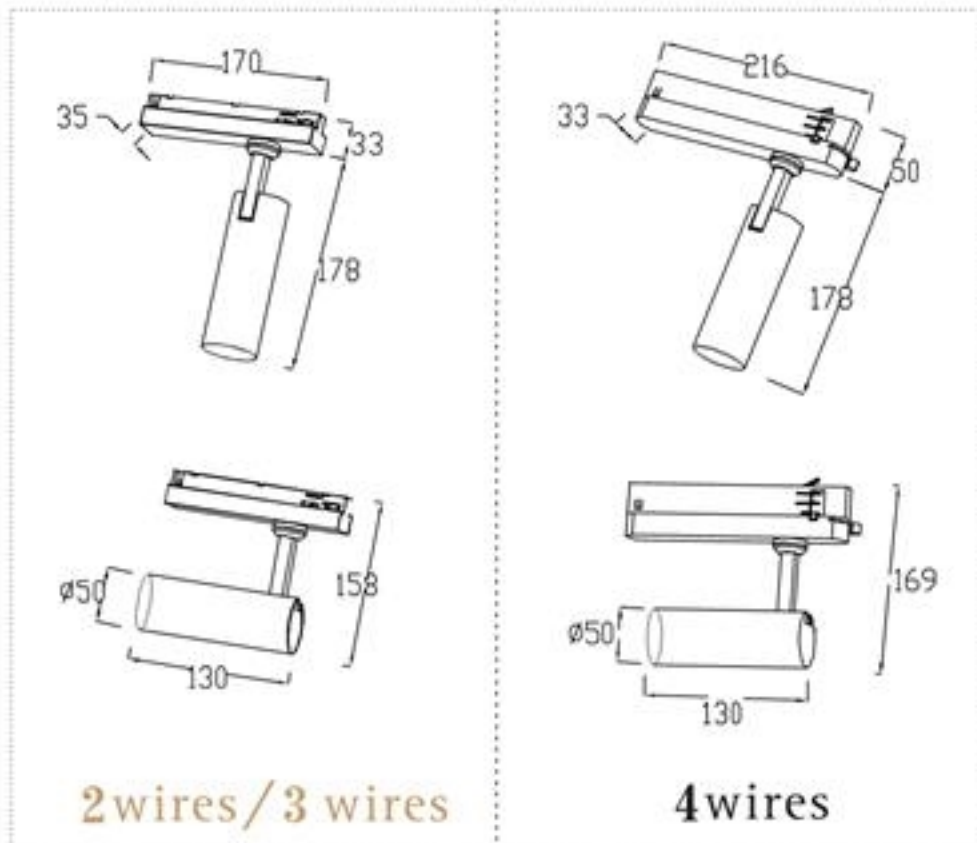
Track Spotlights



BJ-NGD10-W/10W



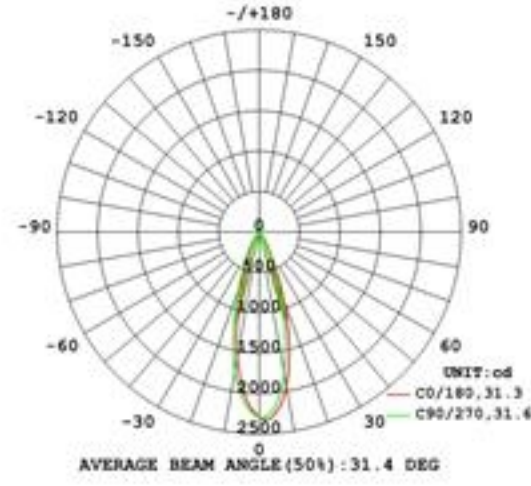
BJ-NGD20-W/20W



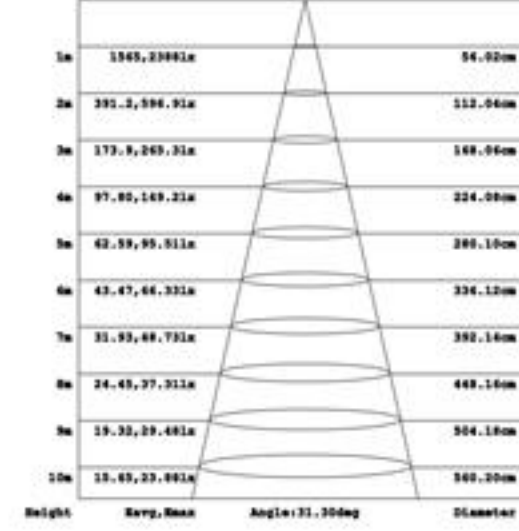
LED COB IP20

Power 10W
 CCT 2700 3000K 4000K 5000K
 CRI >90
 Input voltage 110-240VAC
 Beam Angel 15° 24° 38°
 Color Black/White
 Ceiling Thickness 3-20mm
 Efficiency 85-100lm/w

LUMINOUS INTENSITY DISTRIBUTION DIAGRAM



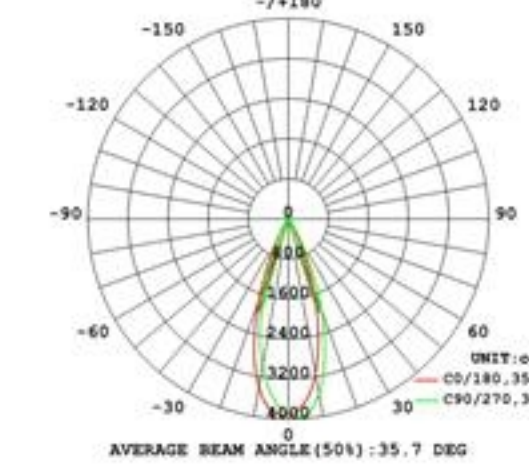
Beam out: 100.0 lm



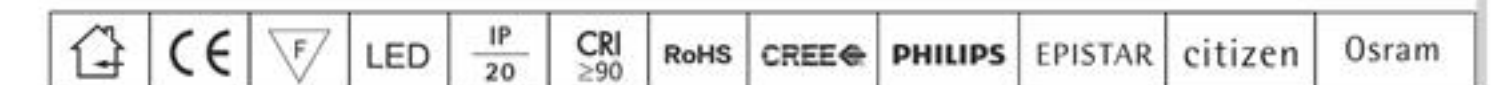
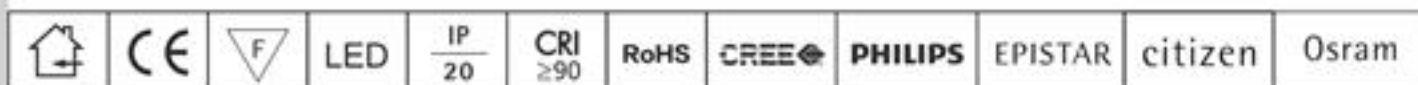
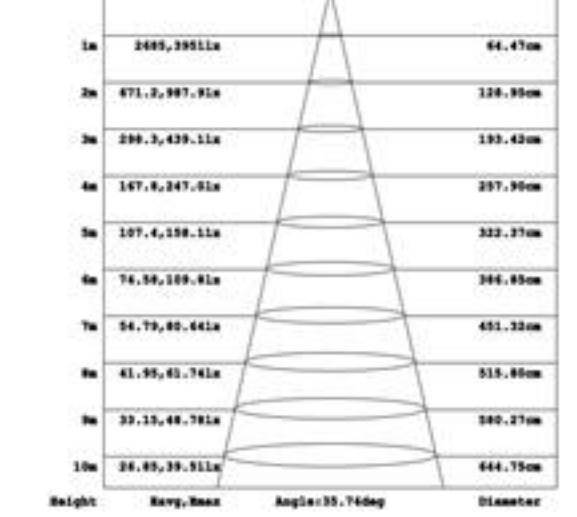
LED COB IP20

Power 20W
 CCT 2700 3000K 4000K 5000K
 CRI >90
 Input voltage 110-240VAC
 Beam Angel 15° 24° 38°
 Color Black/White
 Ceiling Thickness 3-20mm
 Efficiency 85-100lm/w

LUMINOUS INTENSITY DISTRIBUTION DIAGRAM



Beam out: 180.0 lm



A302 series >>>>>

A302 series >>>>>

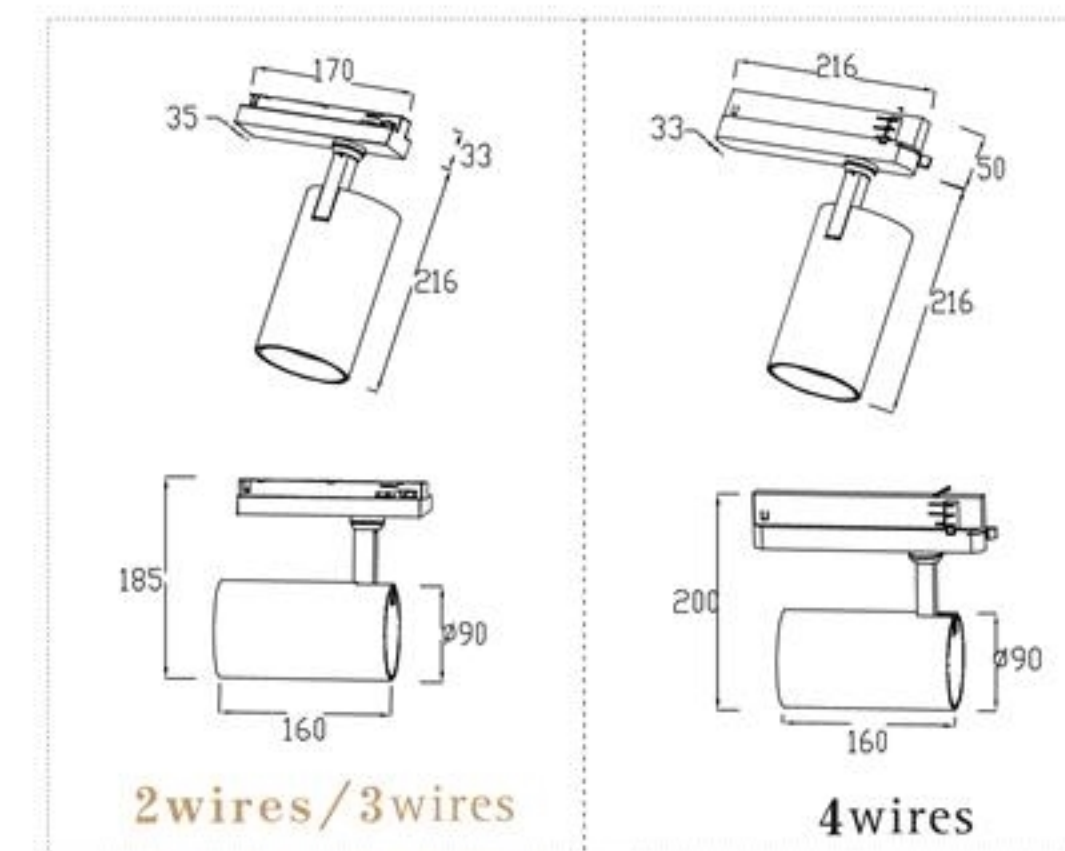
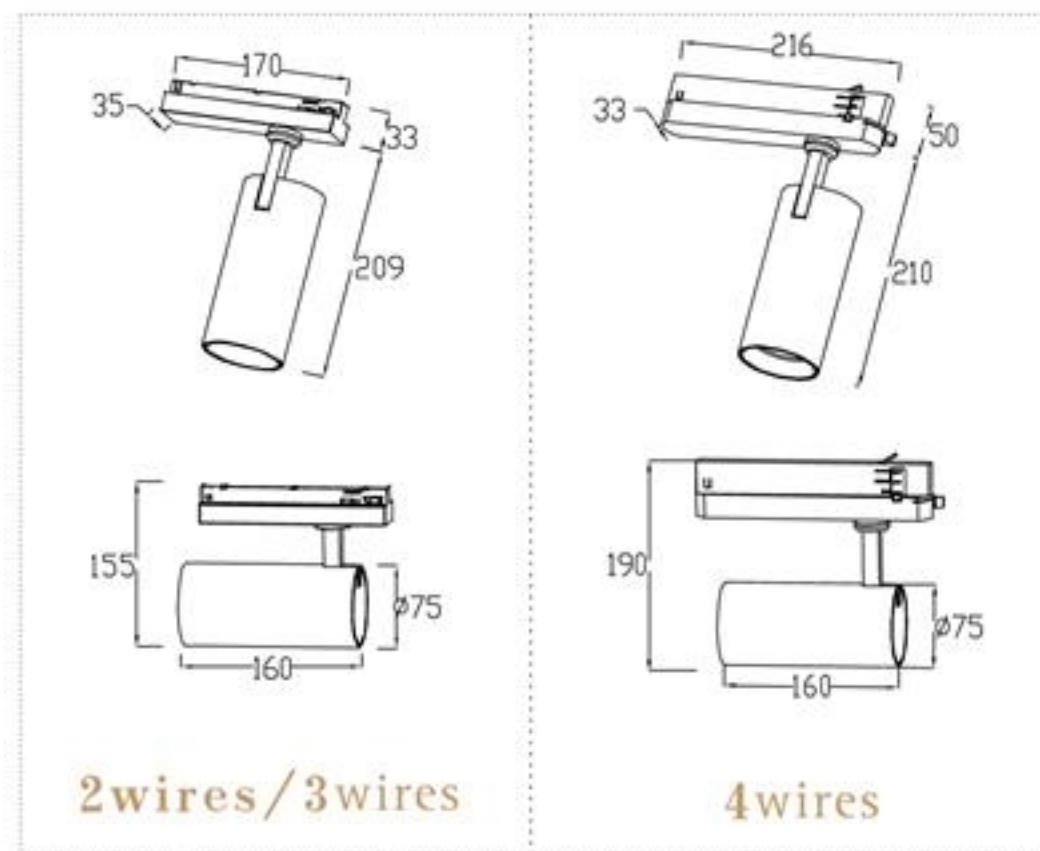
Track Spotlights

Track Spotlights



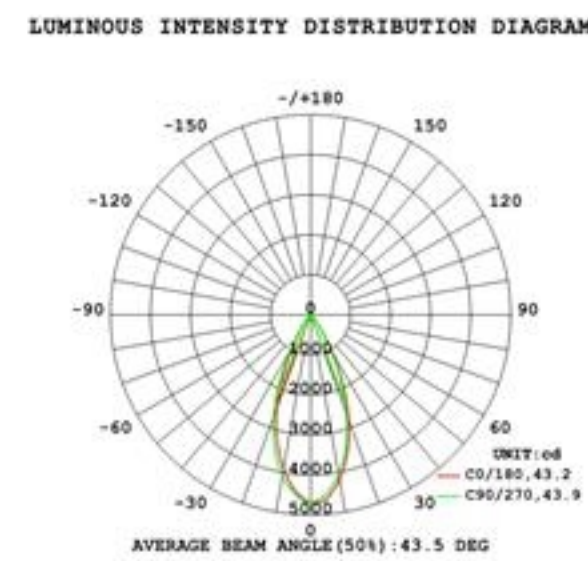
BJ-NGD30-W/30W

BJ-NGD40-W/40W



LED COB IP20

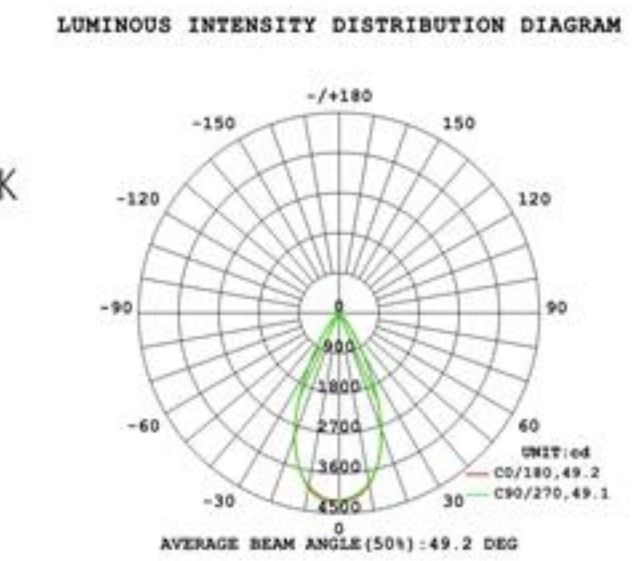
Power	30W
CCT	2700K/3000K/4000K/5000K
CRI	>90
Input voltage	110-240VAC
Beam Angle	15°/24° /38°
Color	Black/White
Ceiling Thickness	3-20mm
Efficiency	85-100lm/w



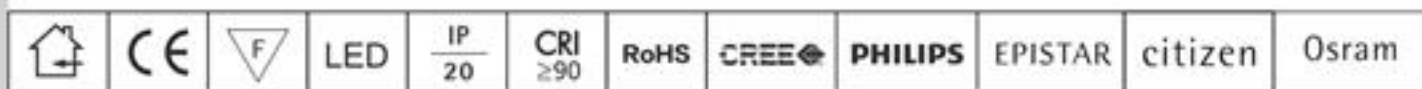
Height	Beam Diameter	Angle	Beam Diameter
1m	30.34, 47.31lx		176.41mm
2m	37.34, 59.31lx		212.44mm
3m	41.70, 66.30lx		234.12mm
4m	44.81, 132.61lx		274.36mm
5m	47.34, 74.23lx		312.38mm
6m	49.81, 132.61lx		349.40mm
7m	51.70, 96.30lx		384.12mm
8m	53.34, 132.61lx		417.36mm
9m	54.81, 132.61lx		449.40mm
10m	56.34, 132.61lx		480.12mm
11m	57.34, 132.61lx		509.40mm
12m	58.34, 132.61lx		537.12mm
13m	59.34, 132.61lx		564.12mm
14m	60.34, 132.61lx		589.40mm
15m	61.34, 132.61lx		613.12mm
16m	62.34, 132.61lx		635.40mm
17m	63.34, 132.61lx		656.12mm
18m	64.34, 132.61lx		675.40mm
19m	65.34, 132.61lx		693.12mm
20m	66.34, 132.61lx		709.40mm

LED COB

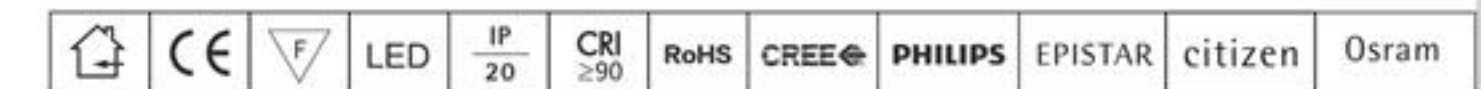
Power	40W
CCT	2700K/3000K/4000K/5000K
CRI	>90
Input voltage	110-240VAC
Beam Angle	15°/24° /38°
Color	Black/White
Ceiling Thickness	3-20mm
Efficiency	85-100lm/w



Height	Beam Diameter	Angle	Beam Diameter
1m	37.34, 62.31lx		212.44mm
2m	47.34, 124.62lx		274.36mm
3m	51.70, 132.61lx		312.38mm
4m	54.81, 132.61lx		349.40mm
5m	57.34, 132.61lx		384.12mm
6m	59.81, 132.61lx		417.36mm
7m	61.70, 132.61lx		449.40mm
8m	63.34, 132.61lx		480.12mm
9m	64.81, 132.61lx		509.40mm
10m	66.34, 132.61lx		537.12mm
11m	67.34, 132.61lx		564.12mm
12m	68.34, 132.61lx		589.40mm
13m	69.34, 132.61lx		613.12mm
14m	70.34, 132.61lx		635.40mm
15m	71.34, 132.61lx		656.12mm
16m	72.34, 132.61lx		675.40mm
17m	73.34, 132.61lx		693.12mm
18m	74.34, 132.61lx		709.40mm
19m	75.34, 132.61lx		724.12mm
20m	76.34, 132.61lx		738.40mm



Triac Dimmable | TRIDONIC PHILIPS EAGLE RISE BGJO Dimming Solution | 0-10V dimmable



Triac Dimmable | TRIDONIC PHILIPS EAGLE RISE BGJO Dimming Solution | 0-10V dimmable

B777 series >>>>>

B777 series >>>>>

Track Spotlights

Track Spotlights



BJ-NGD20-WX/20W

DAILUX 157

DAILUX 158

B777 Series



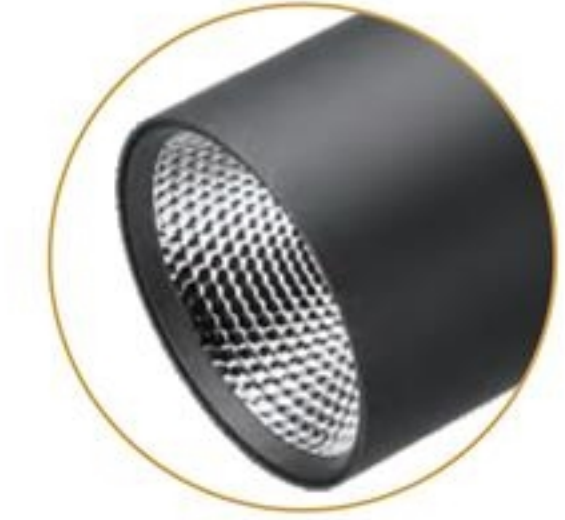
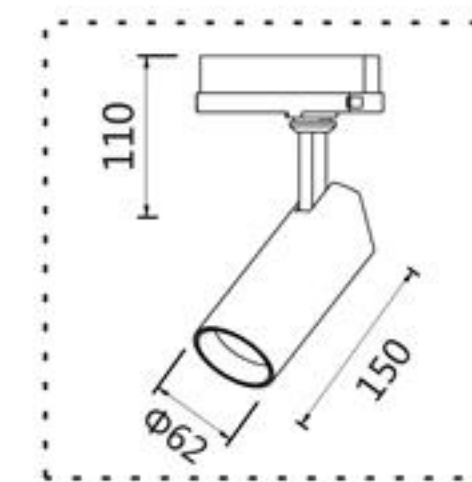
BJ-NGD20-WX/20W



BJ-NGD30-WX/30W



BJ-NGD40-WX/40W

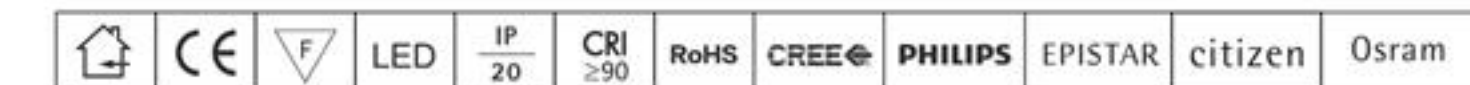
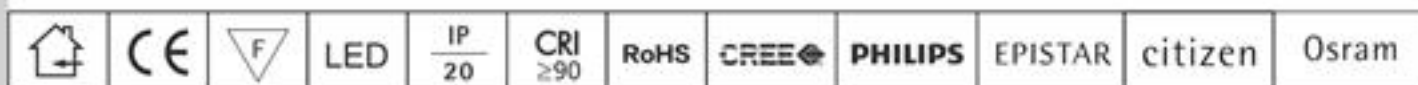
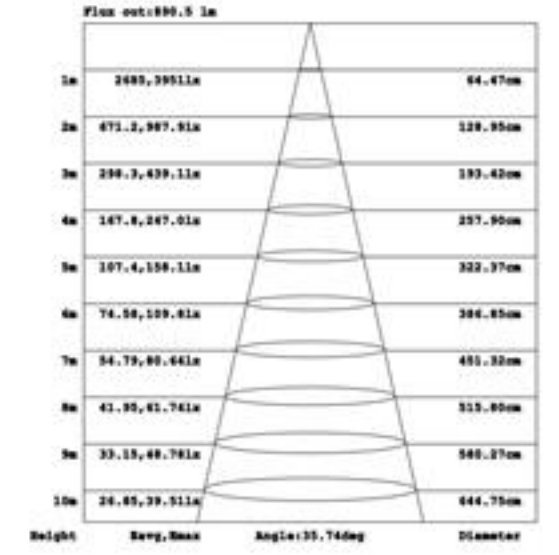
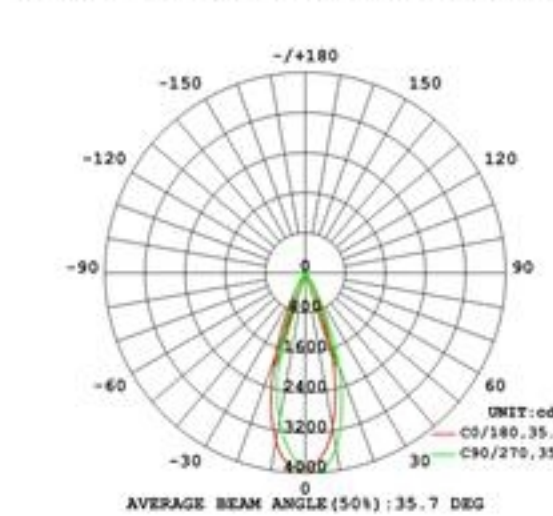


4线 Four lines

LED COB

Power	20W
CCT	2700K/3000K/4000K/5000K
CRI	>90
Input voltage	110-240VAC
Beam Angle	15°/24° /38°
Color	Black/White
Ceiling Thickness	3-20mm
Size	L:150mm H:158mm
Diameter	Φ62mm
Efficiency	85-100lm/w

LUMINOUS INTENSITY DISTRIBUTION DIAGRAM

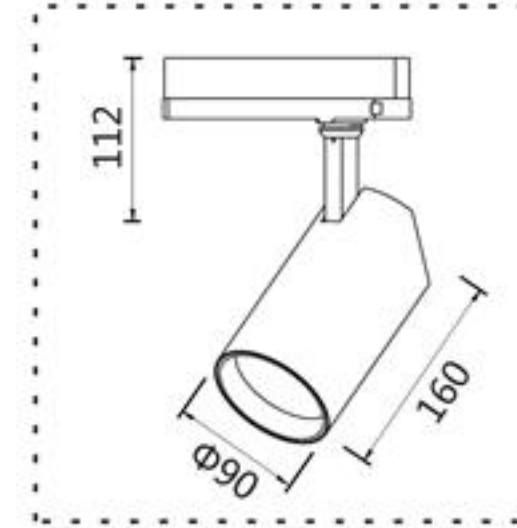
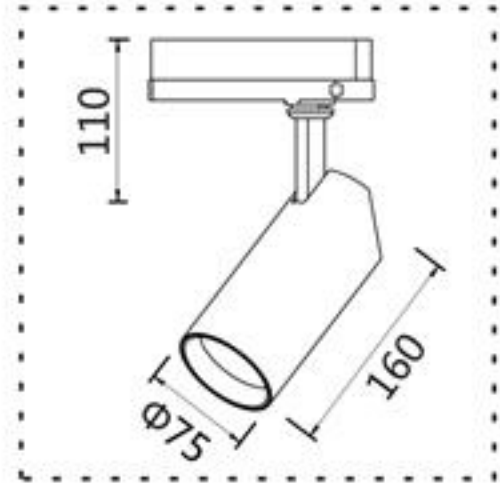


B777 series

B777 series

Track Spotlights

Track Spotlights



BJ-NGD30-WX/30W

BJ-NGD40-WX/40W



DAILUX 159

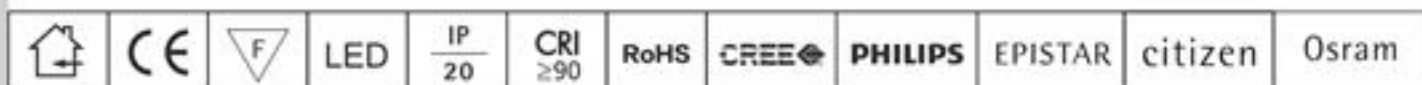
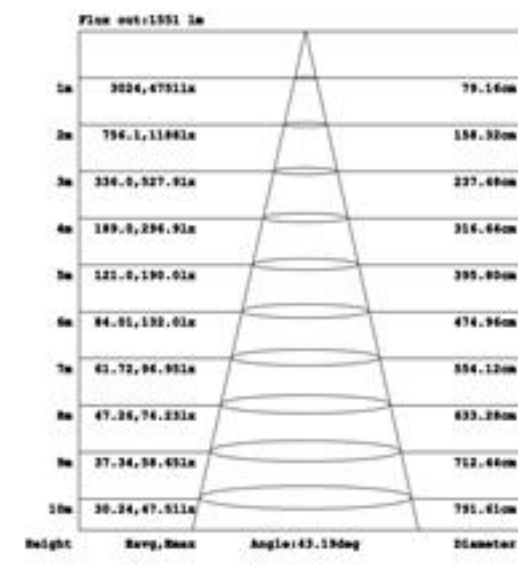
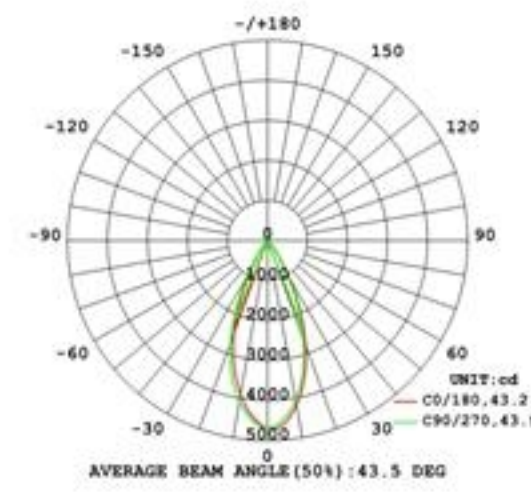
DAILUX 160

Four lines

LED COB

Power	30W
CCT	2700K/3000K/4000K/5000K
CRI	>90
Input voltage	110-240VAC
Beam Angle	15°/24° /38°
Color	Black/White
Ceiling Thickness	3-20mm
Size	L160:mm H:155mm
Diameter	Φ75mm
Efficiency	85-100lm/w

LUMINOUS INTENSITY DISTRIBUTION DIAGRAM

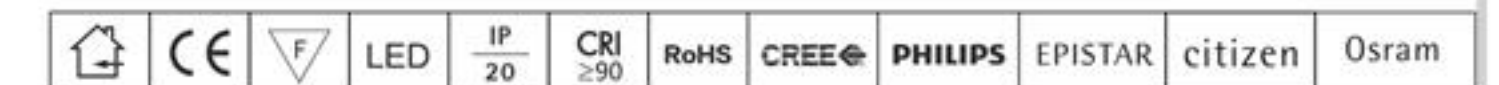
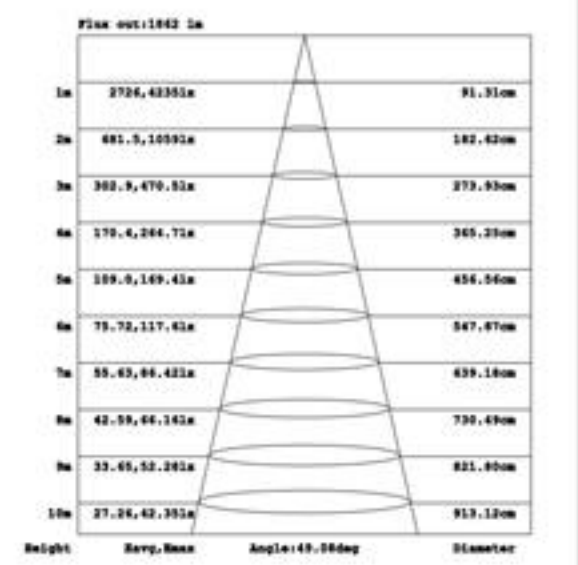
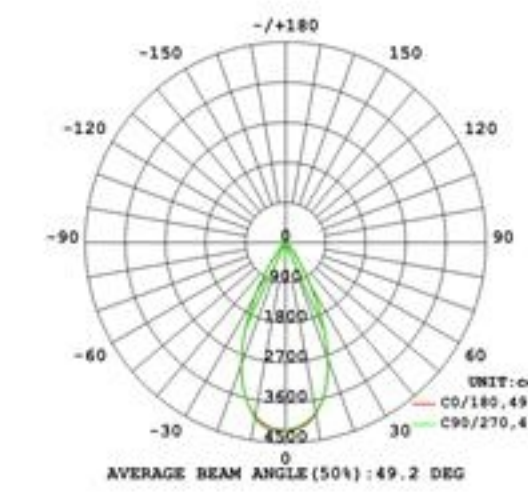


Four lines

LED COB

Power	40W
CCT	2700K/3000K/4000K/5000K
CRI	>90
Input voltage	110-240VAC
Beam Angle	15°/24° /38°
Color	Black/White
Ceiling Thickness	3-20mm
Size	L:160mm H:185mm
Diameter	Φ90mm
Efficiency	85-100lm/w

LUMINOUS INTENSITY DISTRIBUTION DIAGRAM



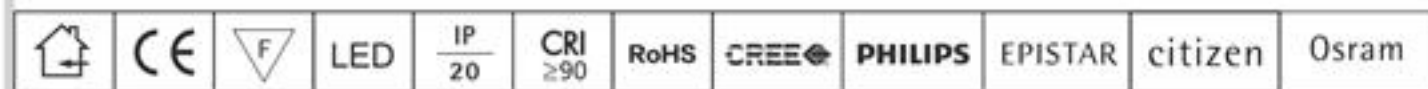
Smart series >>>>>

Track Spotlights



DAILUX 161

Smart Series

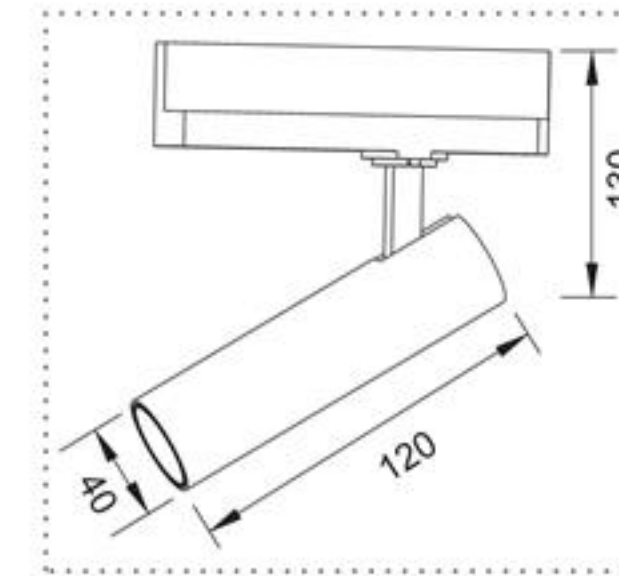


Smart series >>>>>

Track Spotlights



BJ-NGD4012T/7W

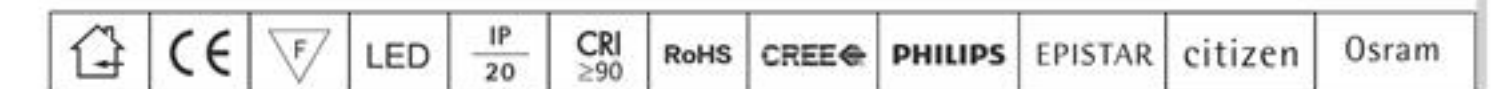


LED COB IP20

Power	7W
CCT	3000K/4000K/5000K
CRI	>90
Input voltage	110-240VAC
Beam Angle	9°/15°/24°/38°
Color	Black/White
Ceiling Thickness	3-20mm
Size	L:120mm H:130mm
Diameter	Φ40mm
Efficiency	85-100lm/w



DAILUX 162



Smart series >>>>>

Smart series >>>>>

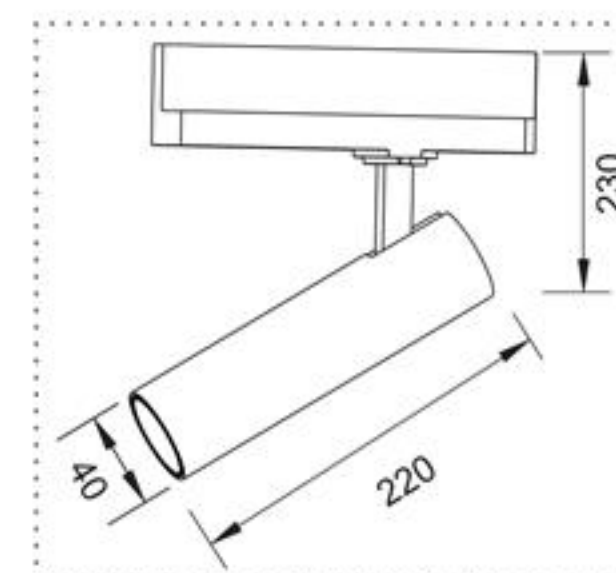
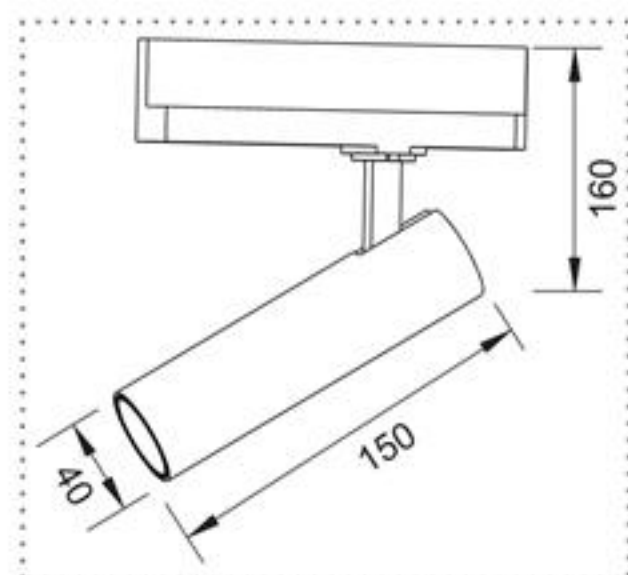
Track Spotlights

Track Spotlights

BJ-NGD4015T/12W



BJ-NGD4022T/18W



2 Lines 3 Lines
4 Lines

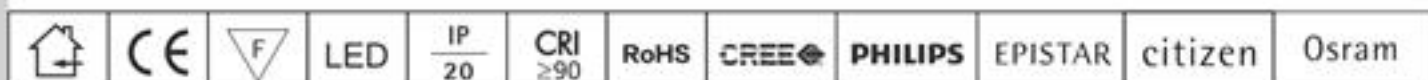
LED COB IP20

Power	12W
CCT	3000K/4000K/5000K
CRI	>90
Input voltage	110-240VAC
Beam Angle	9°/15°/24°/38°
Color	Black/White
Ceiling Thickness	3-20mm
Size	L:150mm H:160mm
Diameter	Φ40mm
Efficiency	85-100lm/w



LED COB IP20

Power	18W
CCT	3000K/4000K/5000K
CRI	>90
Input voltage	110-240VAC
Beam Angle	9°/15°/24°/38°
Color	Black/White
Ceiling Thickness	3-20mm
Size	L:220mm H:230mm
Diameter	Φ40mm
Efficiency	85-100lm/w



DAILUX 163

DAILUX 164

B787 series >>>>>

B787 series >>>>>

Track Spotlights

Track Spotlights

B787 Series

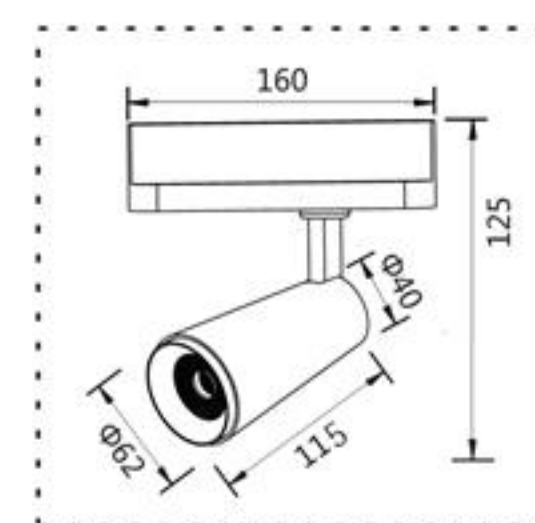


DAILUX 165

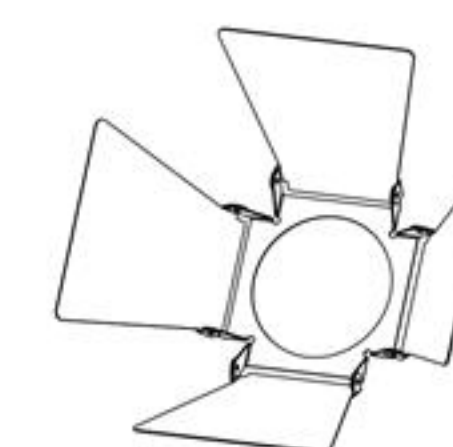
DAILUX 166



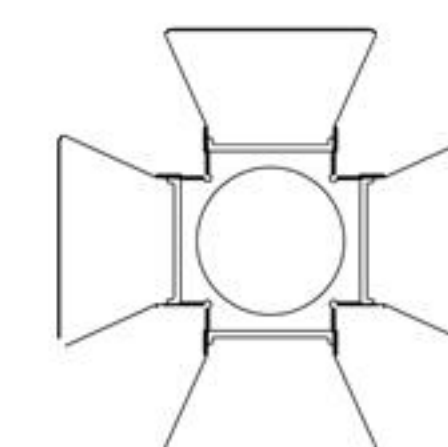
BJ-NGD123T-X/12W



Honeycomb



Four Leaf

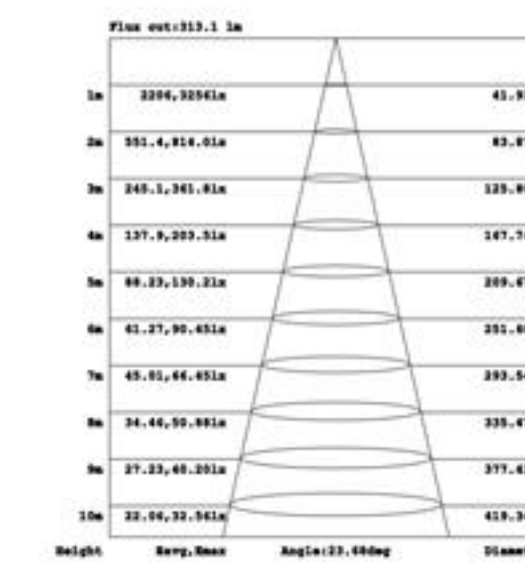
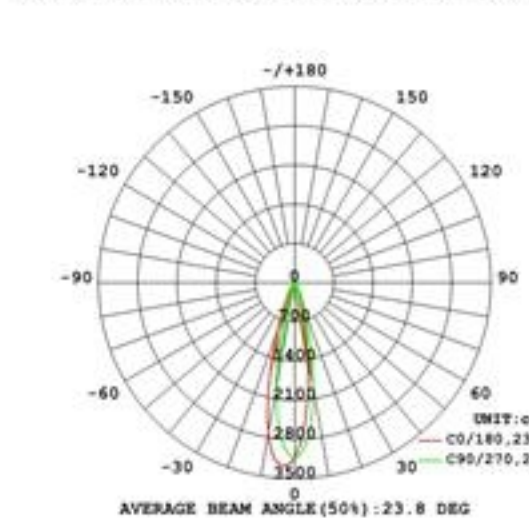


Four Leaf

LED COB IP20

Power	12W
CCT	2700K/3000K/4000K/5000K
CRI	>90
Input voltage	110-240VAC
Beam Angle	15°/24° /38°
Color	Black/White
Ceiling Thickness	3-20mm
Size	L:115mm H:125mm
Diameter	Φ62mm
Efficiency	85-100lm/w

LUMINOUS INTENSITY DISTRIBUTION DIAGRAM

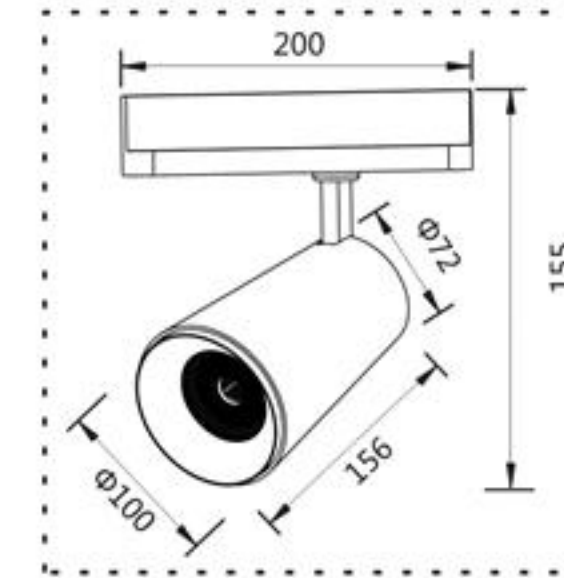
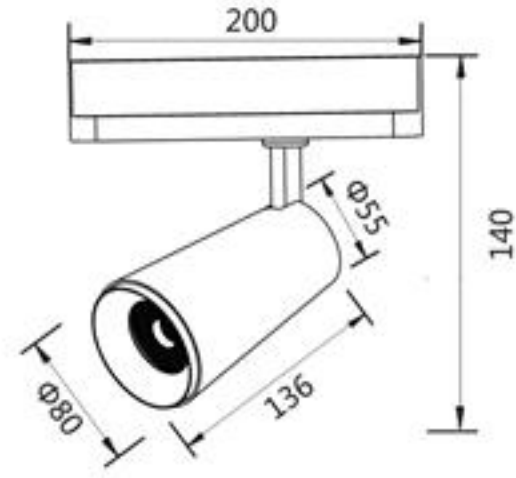


B787 series >>>>>

B787 series >>>>>

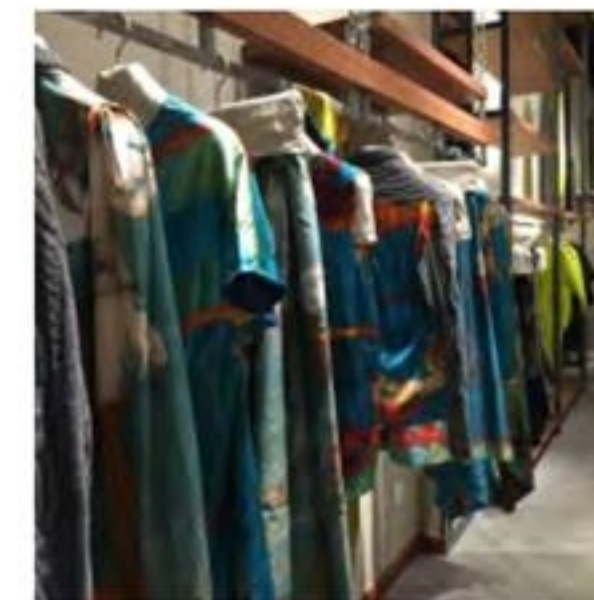
Track Spotlights

Track Spotlights



BJ-NGD253T-X/25W

BJ-NGD353T-X/35W

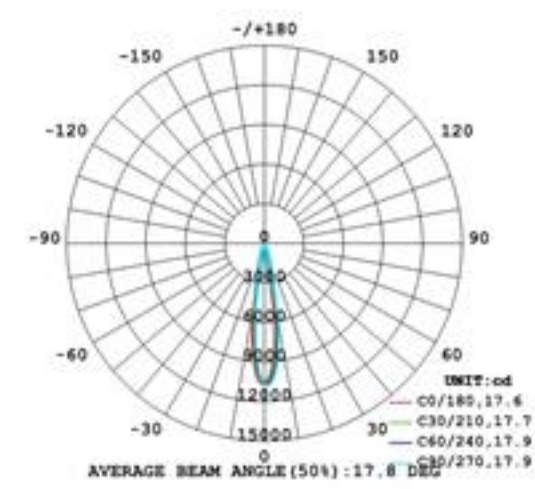


2 Lines 3 Lines 4 Lines

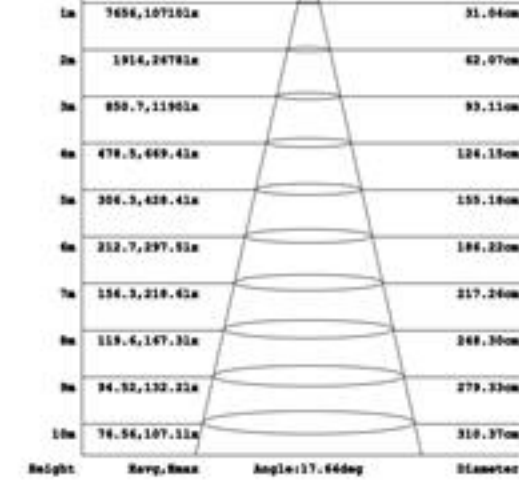
LED COB IP20

Power	25W
CCT	2700K/3000K/4000K/5000K
CRI	>90
Input voltage	110-240VAC
Beam Angle	15°/24° /38°
Color	Black/White
Ceiling Thickness	3-20mm
Size	L:136mm H:140mm
Diameter	Φ80mm
Efficiency	85-100lm/w

LUMINOUS INTENSITY DISTRIBUTION DIAGRAM



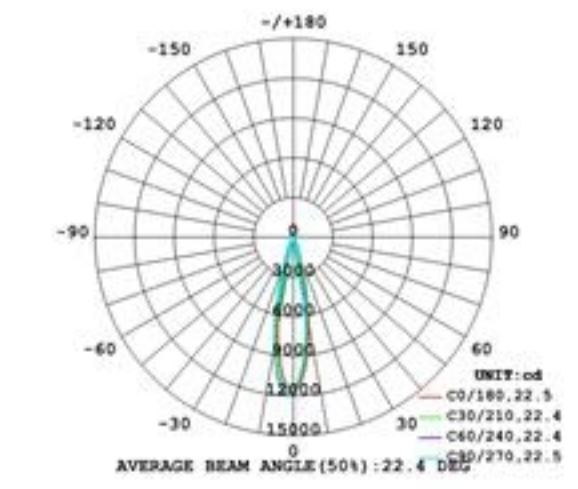
Plane incl: 002.4 0m



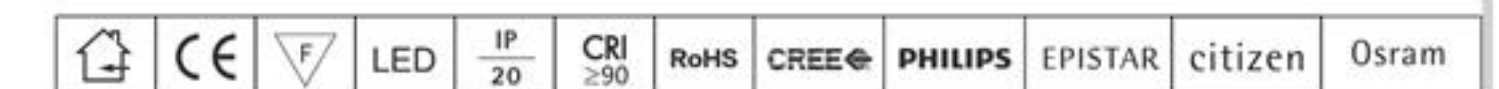
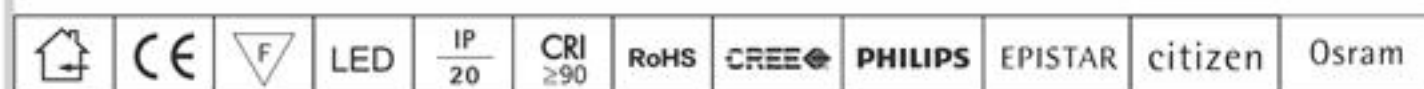
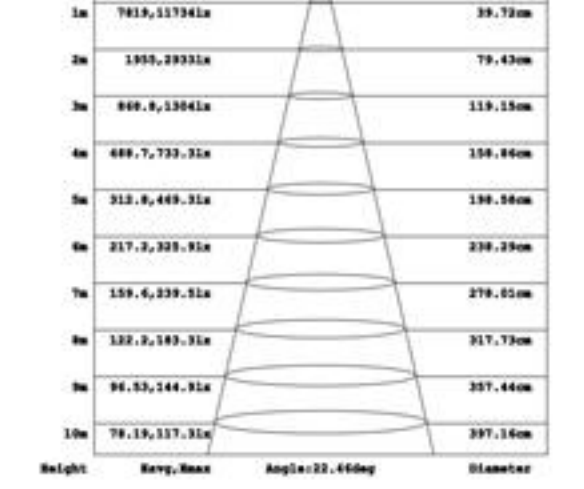
LED COB IP20

Power	35W
CCT	2700K/3000K/4000K/5000K
CRI	>90
Input voltage	110-240VAC
Beam Angle	15°/24° /38°
Color	Black/White
Ceiling Thickness	3-20mm
Size	L:156mm H:155mm
Diameter	Φ100mm
Efficiency	85-100lm/w

LUMINOUS INTENSITY DISTRIBUTION DIAGRAM



Plane incl: 002.4 0m



DAILUX 167

DAILUX 168

B737 series >>>>>

B737 series >>>>>



NGD353T-G 35W



NGD253T-G 25W



NGD123T-G 12W

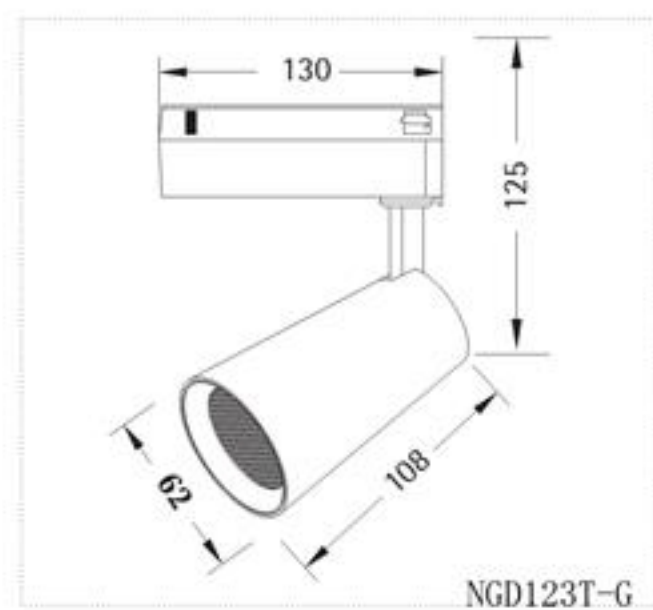


B737 Series
PHILIPS

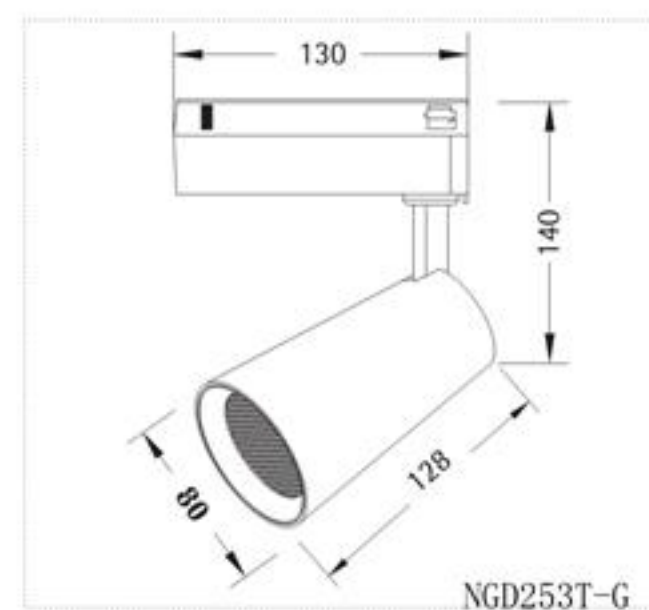
3 Lines

LED COB IP20

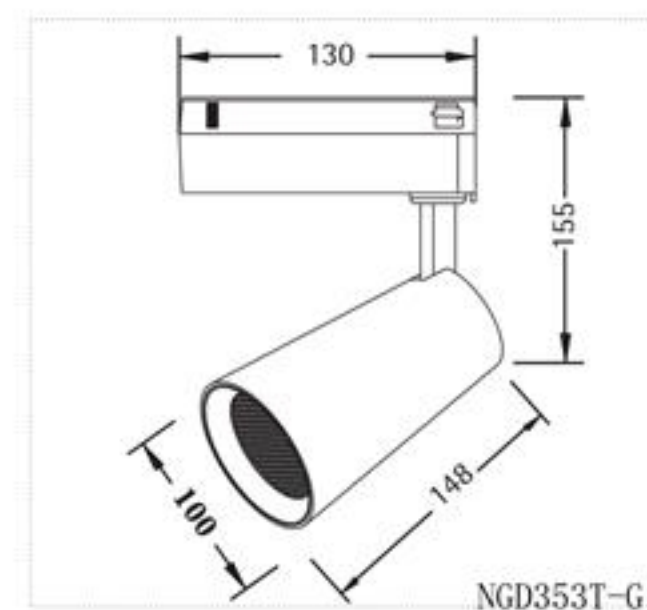
Power	12W/25W/35W
CCT	2700K/3000K/4000K/5000K
CRI	>90
Input voltage	110-240VAC
Beam Angle	15°/24° /38°
Color	Black/White
Ceiling Thickness	3-20mm
Efficiency	85-100lm/w



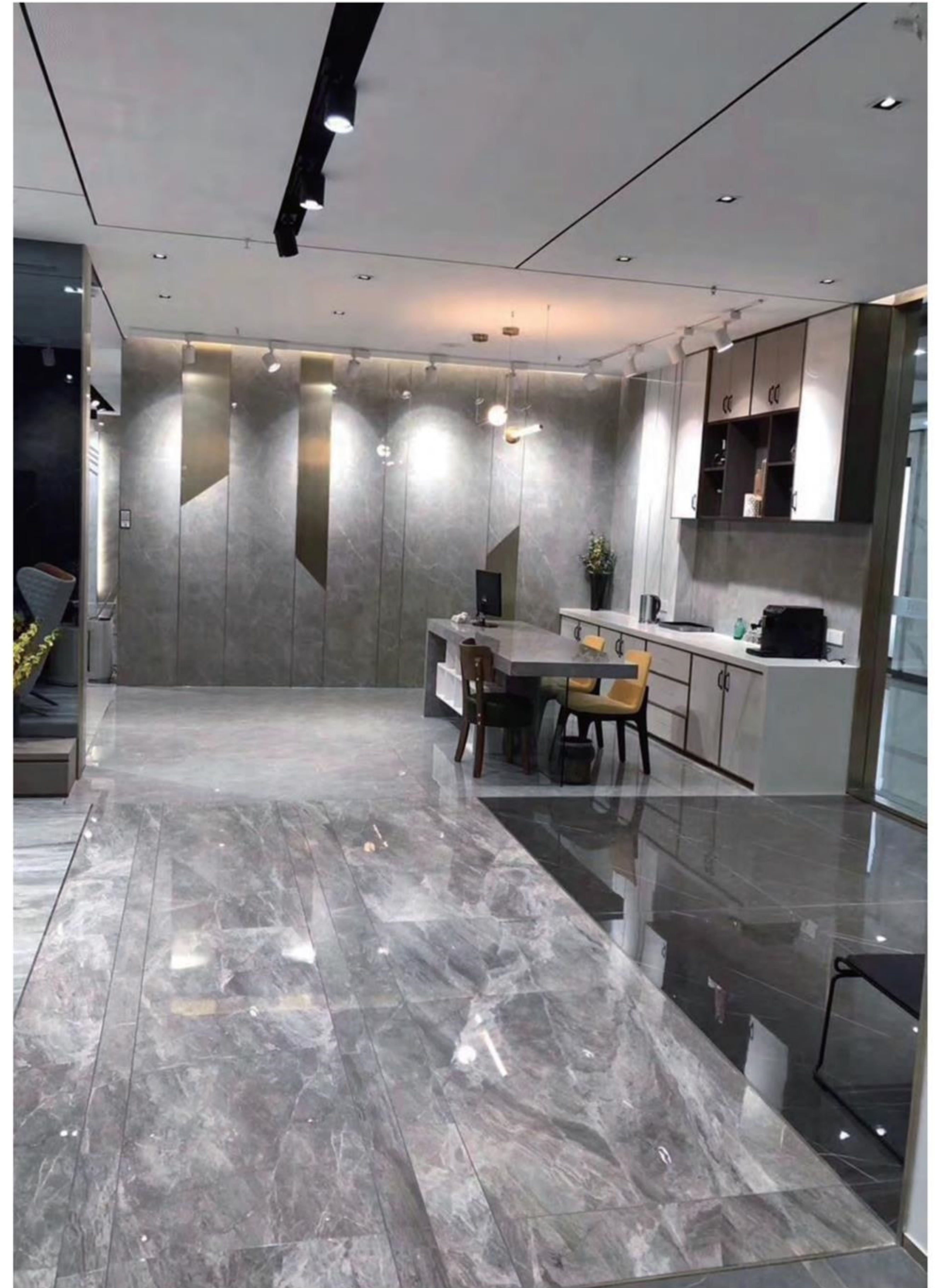
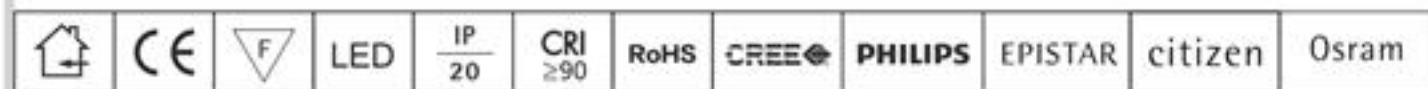
NGD123T-G



NGD253T-G



NGD353T-G



3-Phase Track light Series

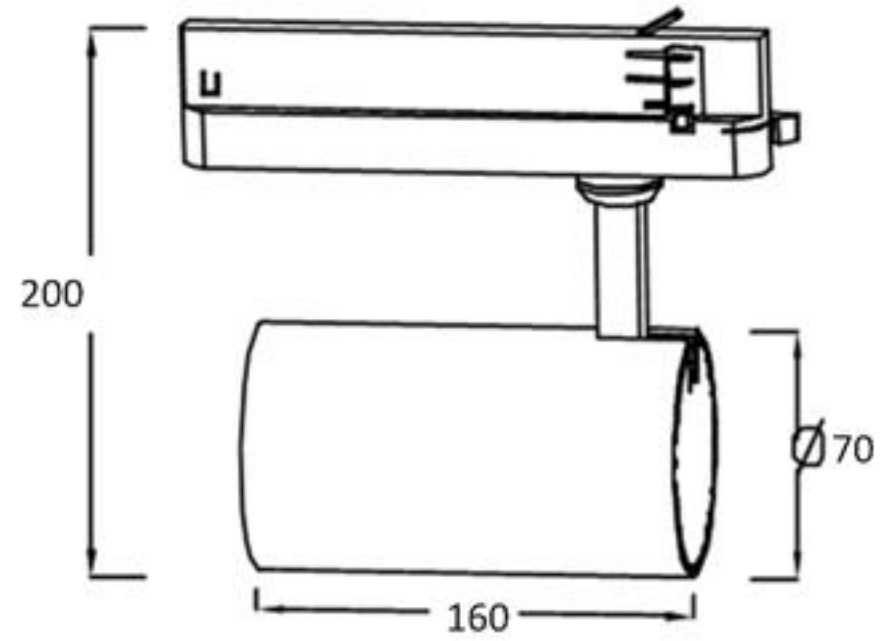
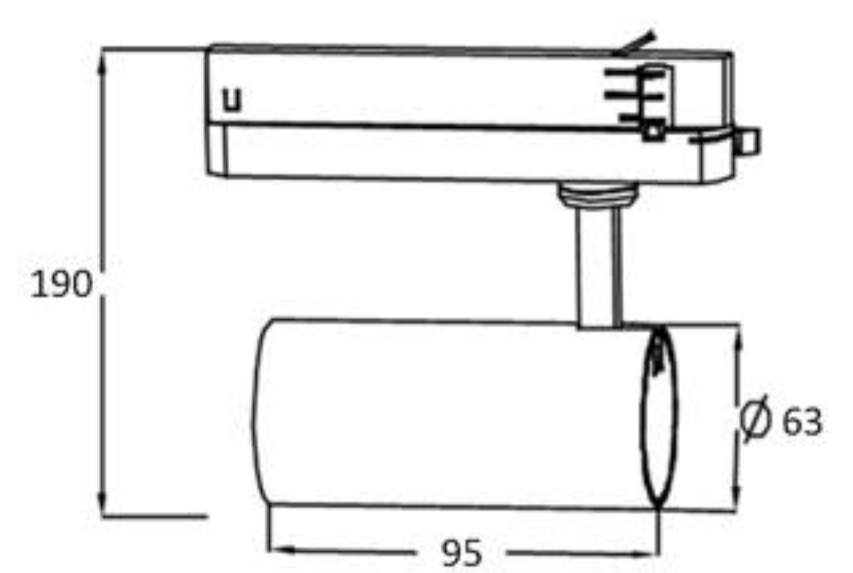
3-Phase Track light Series

3-Phase Track light Series



DL-QC-10W/15W/18W

DL-QC-25W/35W



Motion sensor options

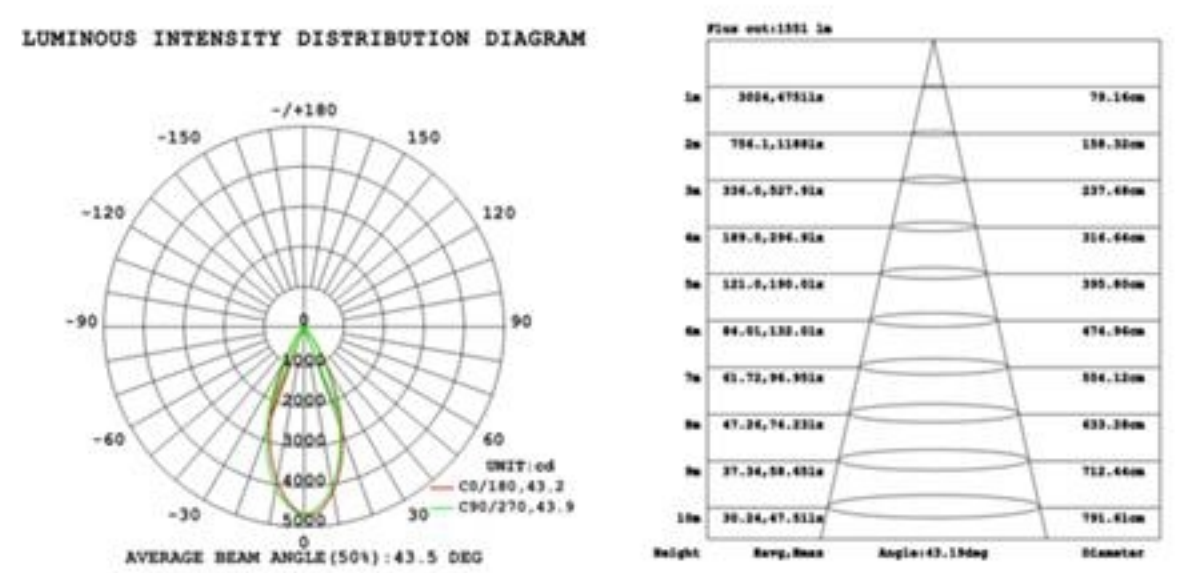
Motion sensor options

Emergency options

Emergency options

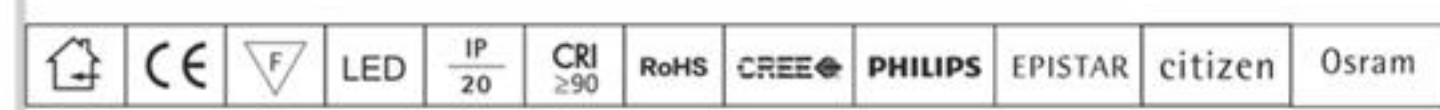
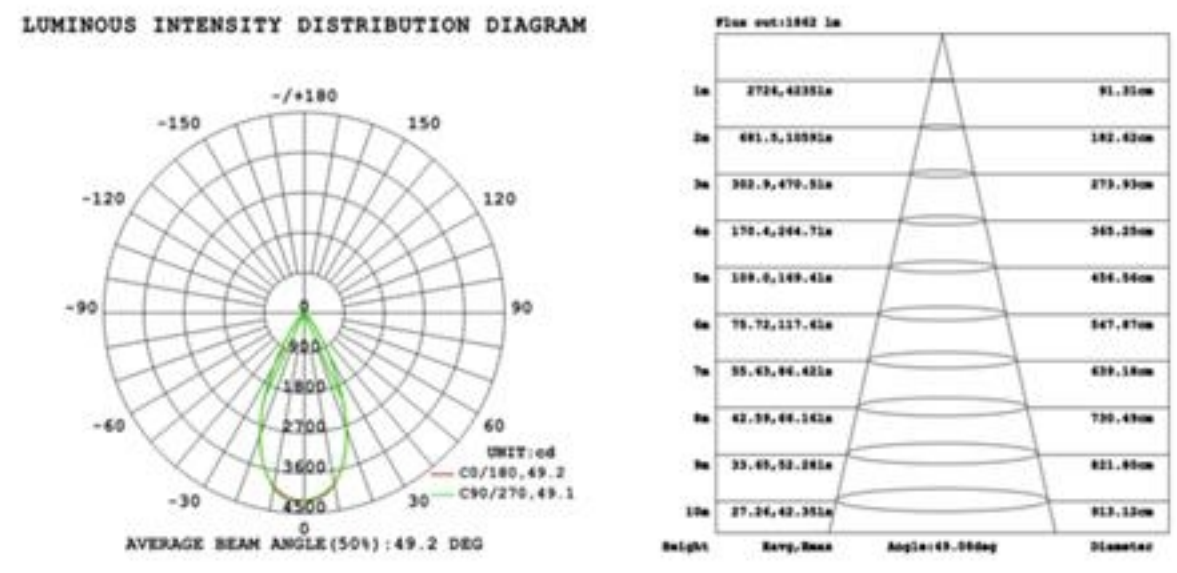
LED COB IP20

Power	10W/15W/18W
CCT	2700K/3000K/4000K/5000K
CRI	>90
Input voltage	110-240VAC
Beam Angle	15°/24°/38°
Color	Black/White
Ceiling Thickness	3-20mm
Efficiency	85-100lm/w



LED COB

Power	25W/35W
CCT	2700K/3000K/4000K/5000K
CRI	>90
Input voltage	110-240VAC
Beam Angle	15°/24°/38°
Color	Black/White
Ceiling Thickness	3-20mm
Efficiency	85-100lm/w



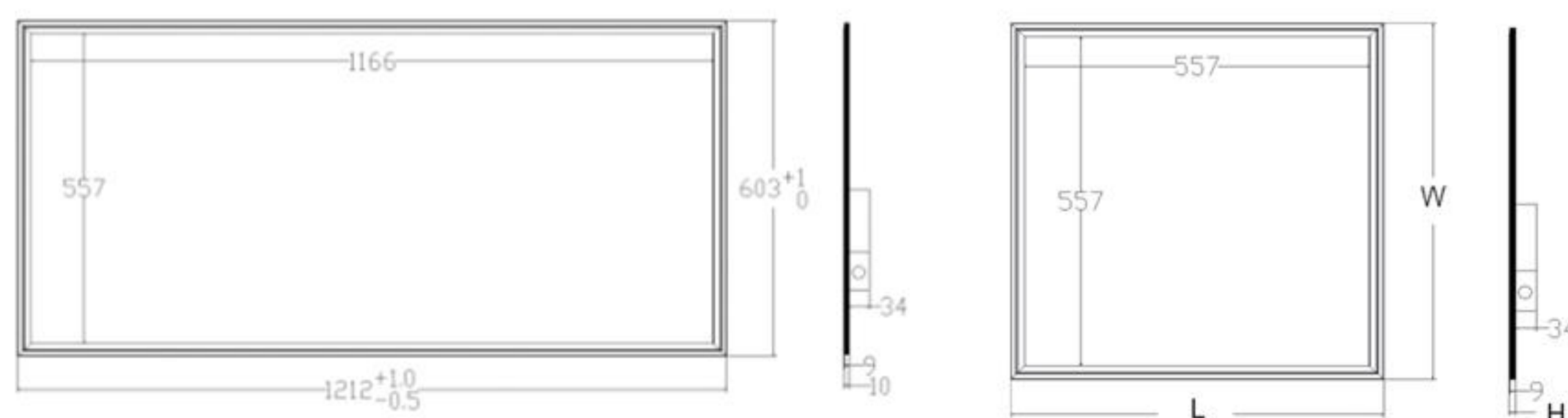
Panneaux LED

Panneaux LED

Panneaux LED



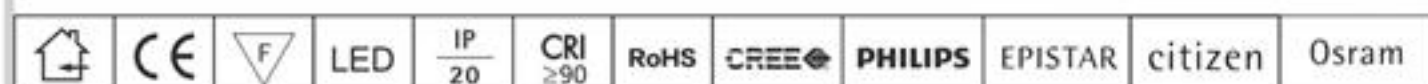
Product Size



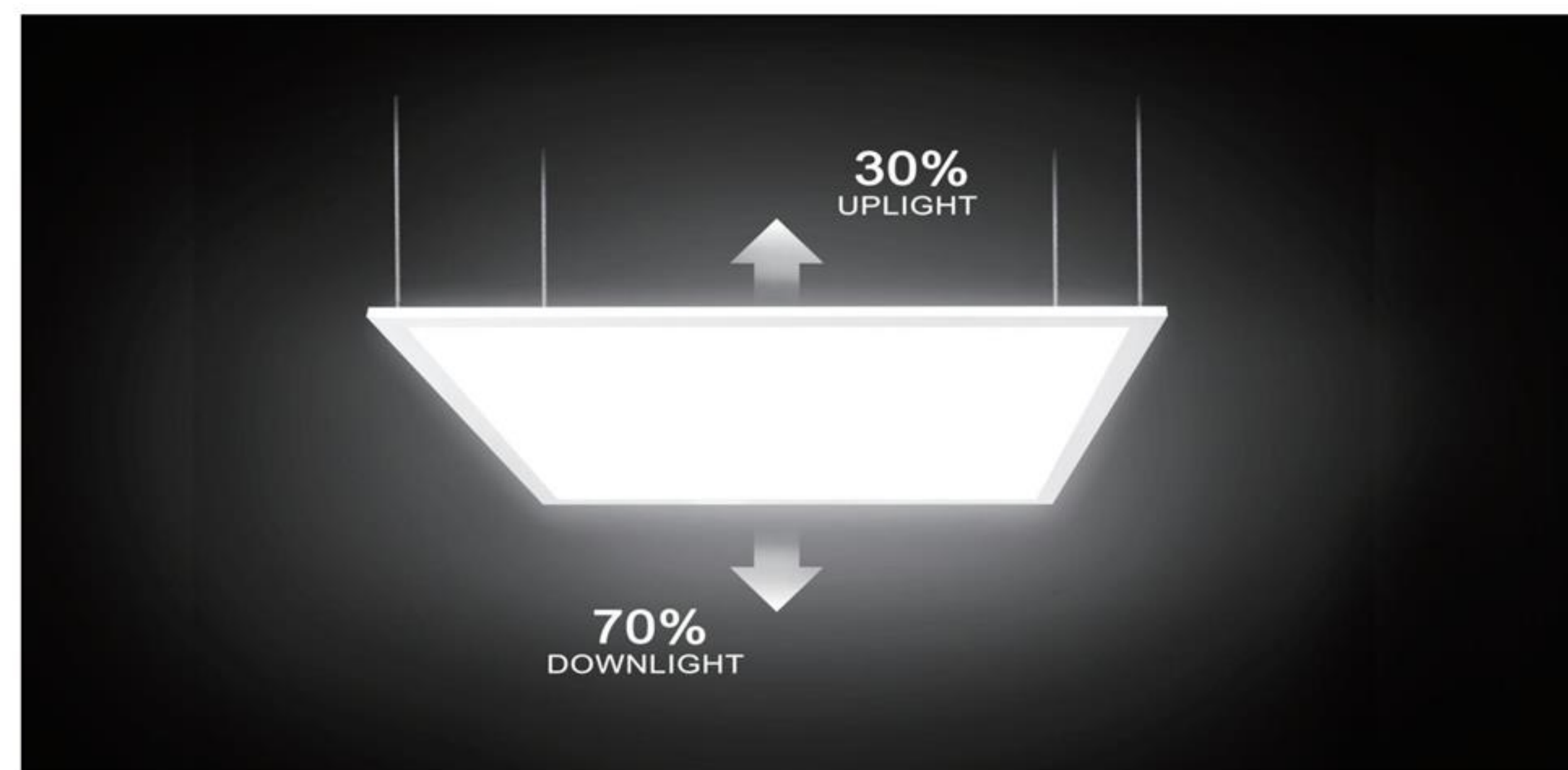
CCT: 3000K/ 4000K

Référence	Watts	Lumens	Dimensions (mm)
PL6060-40W	40W	4 800 lm	595*595*10
PL6262-40W	40W	4 800 lm	620*620*10
PL12030-40W	40W	4 800 lm	1195*295*10

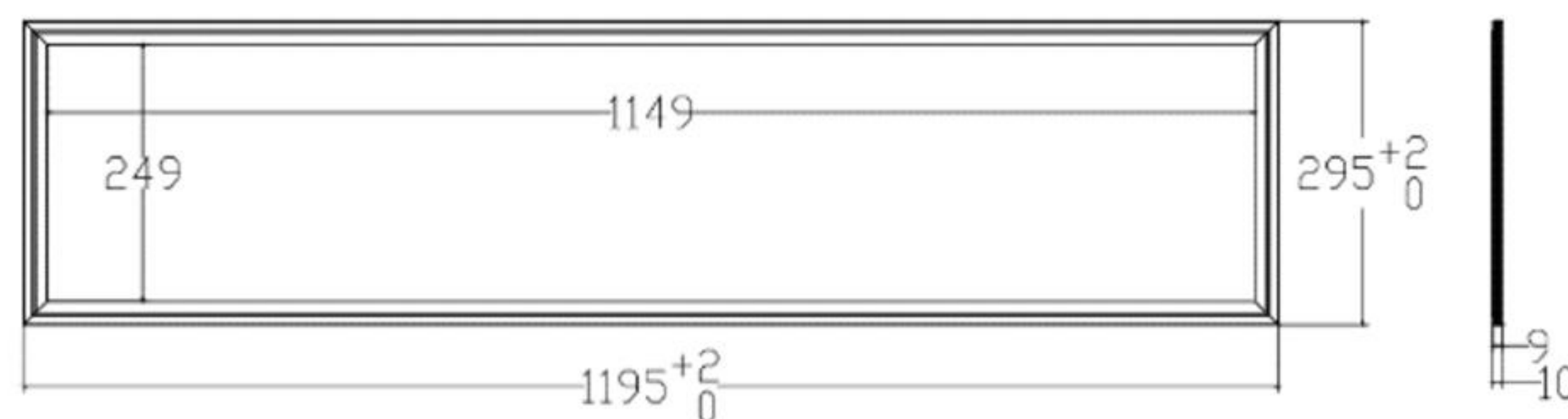
Prix et fiche technique sur demande



Up & Down



Options



CCT: 3000K/ 4000K

Référence	Watts	Lumens	Dimensions (mm)
PL12030-UP&DOWN	40W	Up 1088 lm Down 2500 lm	1195*295*10

Prix et fiche technique sur demande



DAILUX
173

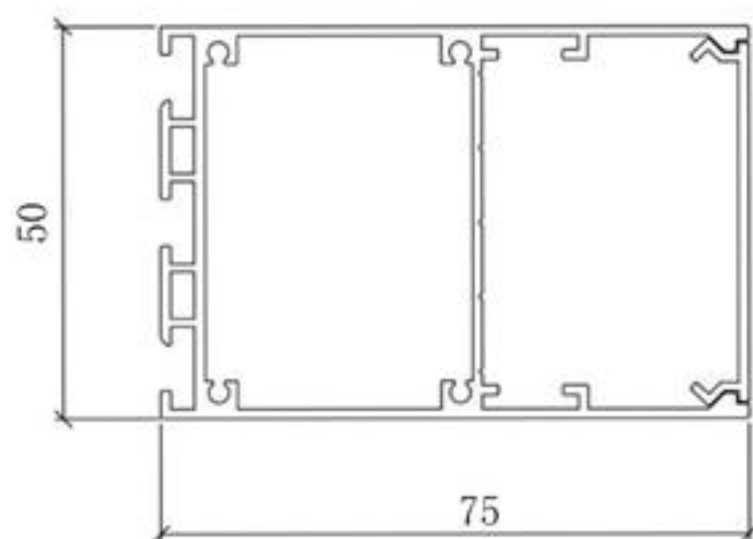
DAILUX
174

LC 5075

LC 5075

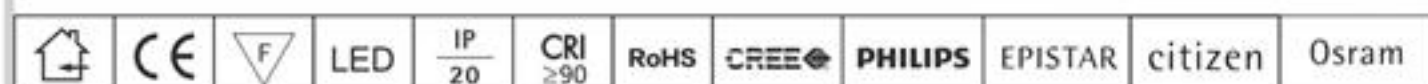


Product Size



CCT: 3000K/ 4000K

Référence	Watts	Lumens	Dimensions (mm)
LC50750620	20W	2 000 lm	605*50*75
LC50751240	40W	4 000 lm	1205*50*75
LC50751860	60W	6 000 lm	1805*50*75
LC50752480	80W	8 000 lm	2405*50*75
Prix et fiche technique sur demande			



Up & Down

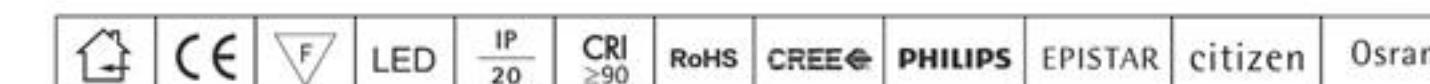


Options



CCT: 3000K/ 4000K

Référence	Watts	Lumens	Dimensions (mm)
LC50751204	40W	Up 2 000 lm Down 4 000 lm	1205*50*75
Prix et fiche technique sur demande			



UFO High Bay

UFO High Bay

UFO High Bay

UFO 013

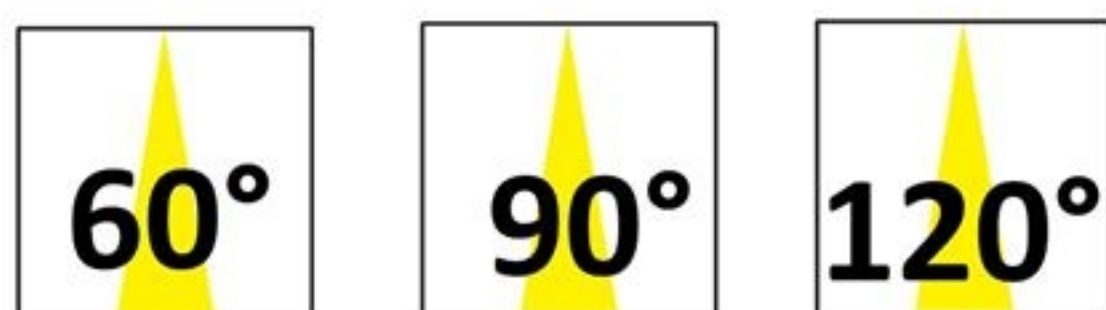


Options

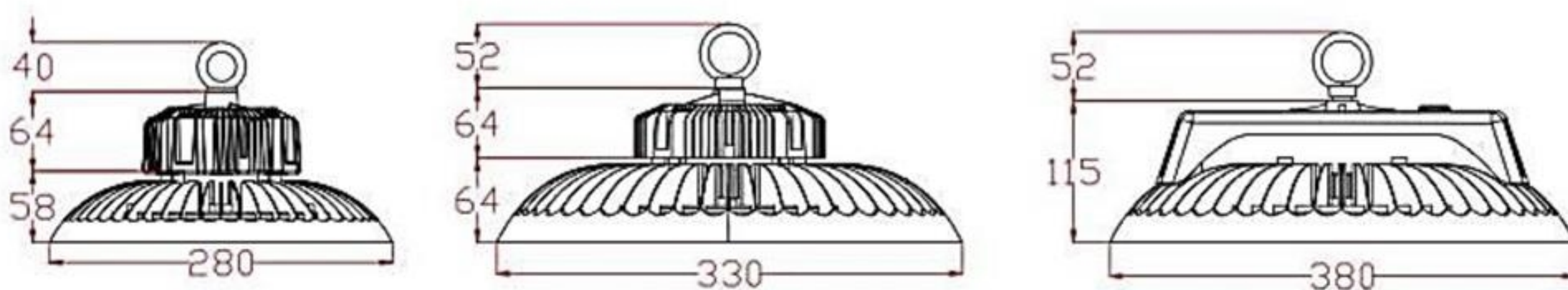
DAILUX 177

DAILUX 178

Beam Angle



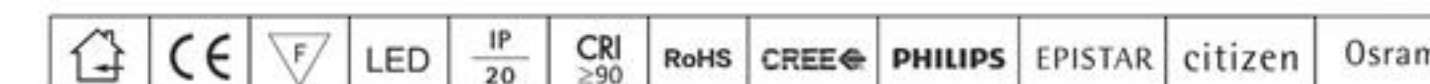
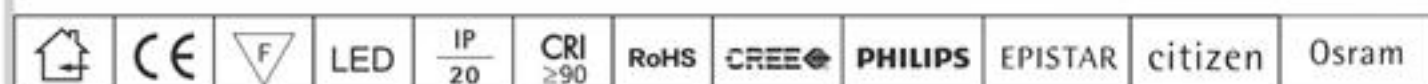
Product Size



CCT: 4000K/ 5000K/ 6000K

Référence	Watts	Lumens
UFO013-100W-B-SMD	100W	15 000 lm
UFO013-150W-B-SMD	150W	22 500 lm
UFO013-200W-B-SMD	200W	30 000 lm

Prix et fiche technique sur demande



UFO High Bay

UFO High Bay

UFO High Bay

UFO 004



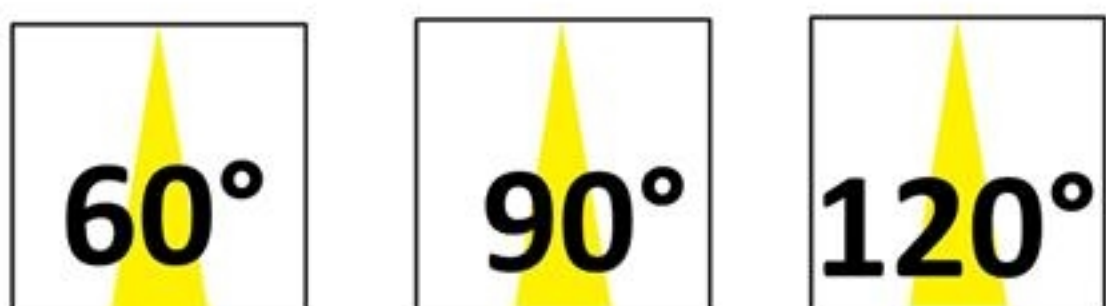
DAILUX 179

DAILUX 180

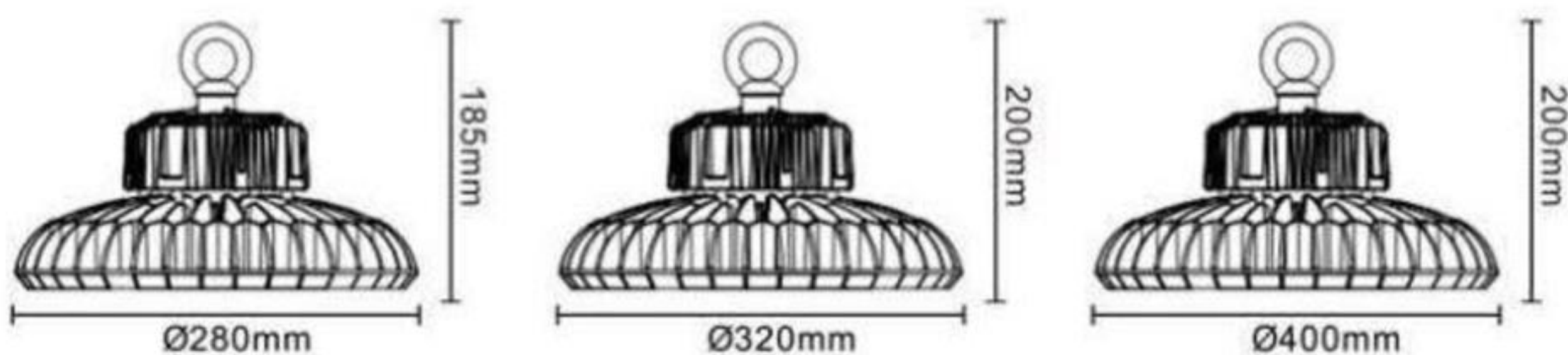
Beam Angle



Options



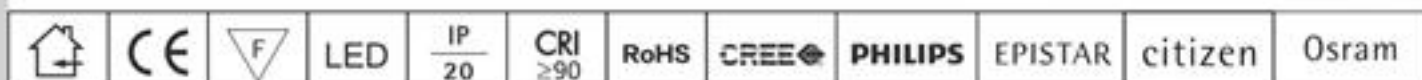
Product Size



CCT: 4000K/ 5000K/ 6000K

Référence	Watts	Lumens
UFO004-100W-B-SMD	100W	13 000 lm
UFO004-150W-B-SMD	160W	20 800 lm
UFO004-200W-B-SMD	200W	26 000 lm

Prix et fiche technique sur demande





LED Commercial Lighting Leader & Personal Customized Expert

Global Commercial Lighting & Private Custom Advocator

Star Hotel, Commercial Chain, Villa Lighting